

2009

Parts Catalog
\$4.00

Passenger 1932-1948

Pickup 1932-1947

Early Ford

U-8 Sales, Inc.

Genuine Parts &
Quality Reproductions

Toll Free Order Line
1-800-417-3347
(Outside New York State)

Fax Your Order
24hrs a day: 1-518-884-2633
Information: 1-518-884-2824
E-mail: earlyford@prodigy.net



Visit our Website and Order from our
Complete **On-Line Catalog**

WWW.EARLYFORD.COM

Providing Quality Service Since 1993

Early Ford V8 Sales Inc. was founded in 1993 and has been providing quality Ford auto parts and accessories to customers ever since. To date we have grown into a 12,000 square foot warehouse with over 10,000 items.

We are a full line provider of reproduction and original parts for 1928-1966 Ford passenger and pickup trucks.

Our entire catalog is now available online for your convenience. Search our extensive database of Ford products and accessories!

Our web site will help you learn more about our company, find answers to your most common questions, and order any of our over 4,500 parts and accessories.

If you don't see what you are looking for call us and ask. Our staff is always ready to assist you with technical questions.

Early Ford V-8 Sales, Inc. is a full line supplier of 1928 through 1966 Early V-8 parts as well as Quality Model "A" Ford parts. We publish four catalogs as follows:

Vintage Ford Center

1928-1931 Model "A" Parts

Early Ford V-8 Catalog

1932-1948 Passenger & 1932-1947 Pickup

Early Ford V-8 Catalog

1949-1956 Passenger & 1948-1956 Pickup

Early Ford V-8 Catalog

1957-1966 Pickup Trucks



When you call during business hours you will always speak to knowledgeable personnel, no phone menus, no automated responses.

Contact Information

OFFICE HOURS (Eastern Time):
Monday - Friday, 8 a.m. - 5 p.m.

Store sales during the above listed hours and by appointment at mutually convenient times on the weekends. Please call ahead to make sure we will be available.

TOLL FREE ORDER:800-417-3347
(Outside New York State)

CUSTOMER SERVICE:518-884-2824

FAX:518-884-2633

ORDER ON-LINE EARLYFORD.COM

Call before 4:00 pm for same day shipping. You may also fax your order using our convenient order form located in the back of the catalog.

Fax service is available 24 hours.

Early Ford V-8 Sales, Inc.
Building 37 • Curtis Industrial Park
831 Route 67
Ballston Spa, New York 12020

Contact Information



Left to right: Laurie, Gary, Neal, Lou, Ken and Michael.

PAYMENT



We accept check, money orders, **VISA, Mastercard and Discover**. We will also ship **UPS COD**, however, there is an additional \$9.00 charge. There is a \$20.00 charge for any returned check.

SHIPPING

Most orders are shipped via UPS. Large items, such as front fenders are shipped via truck, freight collect. **FREE SHIPPING on orders over \$400.00** (except fenders and oversize items.) Continental US only. **Free shipping does not apply to any item sold 'on sale' or 'specials'.**

DAMAGE

Should a parcel be received with contents damaged or evidence that it had been opened and something is missing, notify UPS. Keep the parcel at the delivery address and do not destroy the carton. UPS will have a claims person come to view the package or have a driver pick it up and return it to their claims department. UPS will process your claim and contact us to arrange for another shipment.

GUARANTEE

All of our parts are guaranteed to satisfy if used as originally intended. All parts are guaranteed to be free of manufacturing defects. In any and all cases our liability shall not exceed the cost of the part purchased.

RETURN POLICY

Parts may be returned for any reason providing they have not been used or damaged by you, within 60 days of shipment for exchange, credit or refund. When returning a part please include a copy of the original invoice with a brief explanation as to why the part is being returned. Please contact us first before returning a part. COD returns will not be accepted.

PRICE CHANGES

Because our suppliers change prices throughout the year it may be necessary for us to change a price accordingly. If the new price is not acceptable to you please return the part for a complete refund.

PARTS

We buy as many American made parts as possible. We always put quality first when selecting any part and do our utmost to provide complete customer satisfaction. In addition to our reproduction parts we have a good selection of used and NOS parts. Please call or write with your needs. Our inventory is constantly expanding to better serve our customers and we are always interested in hearing from you as to how we can provide better service.

CAR SALES

Early Ford V-8 Sales always maintains an inventory of 6-12 *Top Quality Early Fords* for sale. If you are in the market for a car please visit our site at www.earlyford.com or call us direct. We also purchase Early Fords.

Your business is greatly appreciated and we thank you.

Lou & Carole Grosso

Table of Contents

FRAME

WHEEL AREA	5
MECHANICAL BRAKES	7
HYDRAULIC BRAKES	9
HAND BRAKE & CABLE	13
FRONT AXLE	14
STEERING	16
IGNITION SWITCH	18
REAR END	19
BATTERY	21
EXHAUST SYSTEM	21
SPRINGS	23

MECHANICAL

ENGINE	24
49-56 ENGINE SECTION	31
TRANSMISSION	37
CLUTCH SECTION	41
COOLING SYSTEM	43
GRILLE AREA	44
RADIATOR HOSES	48
WATER PUMP AREA	49
FUEL SYSTEM	51
CARBURETOR	54
GENERATOR & ALTERNATOR	58
STARTER	59
TEMPERATURE	60
COIL	60
DISTRIBUTOR	61
BATTERY CABLES	64

ELECTRICAL

WIRING	65
LAMPS / LIGHTS	69
HORN	79
HOOD & RADIATOR LACING KITS	79
FIREWALL	80

BODY

FENDERS	81
RUNNING BOARD	83
RADIATOR TO CROSS MEMBER SHIELDS	84
HOOD	84
SPEEDOMETER	87
WINDSHIELD WIPER	87
MIRRORS	89
BUMPERS	90
SHOCK ABSORBER	92
LUGGAGE RACKS	93
PATENT & BODY PLATES	93
ANTENNA	93
HEATER PARTS	94

CABIN

WINDSHIELD	95
TOP	96
RUMBLE SEAT AND TRUNK	97
COWL AREA	99
GLOVE BOXES	99
FLOORBOARD AREA	100
WINDOW	102
DOOR HANDLES & WINDOW CRANKS	106
DOOR AREA	108
SHEET METAL	112
DASH AREA	114
TRIM CLIPS & FASTENERS	116
FRAME AND UNDERBODY COMPONENTS	117
PICKUP BEDS	119
FLATHEAD PERFORMANCE PARTS	122
BOOKS	125

INDEX OF PART GROUPS

Index	128-130
Order Form	131

ACCESSORIES AND SUPPLIES

BATTERY CHARGER & TENDER

Perfect for charging and maintaining your battery



BAT-PLUS-6V	6 VOLT@ (1.25) AMPS	28-55	59.95	ea.
BAT-PLUS-12V	12 VOLT@ (1.25) AMPS	28-55	59.95	ea.
BAT-JR-6V	6 VOLT@ (.75) AMPS	28-55	39.95	ea.
BAT-JR-12V	12 VOLT@ (.75) AMPS	28-55	39.95	ea.

AIR CLEANER

HR-9600	CHROME HOT ROD TYPE AIR CLEANER	32-69	12.00	ea.
HR-9600-E	REPLACEMENT FILTER FOR HOT ROD AIR CLEANERS	32-69	5.00	ea.

HOOD PROP KIT

A-16613-SS	Stainless steel, holds hood open.	28-37	21.50	ea.
------------	-----------------------------------	-------	-------	-----

EXHAUST DEFLECTOR

51A-18258-A	"Ford" script, stainless steel	32-53	14.95	ea.
51A-18258-B	"V8" stainless steel	32-53	14.95	ea.
51A-18258-C	Plain, Stainless steel	32-53	14.95	ea.

LIGHTS

FOG-18207-SET	AMBER FOG LAMPS, 6V, chrome plated, with mounting brackets and Ford name plate,	32-53	155.25	pr.
SPOT-18552-SET	SPOT LIGHT WITH ATTACHING BRACKET, 6V, with Ford name plate, includes all hardware, brackets, etc. <i>Above lights also available in 12V - specify.</i>	ALL	155.25	ea.

BUG SCREENS

128-6062	Passenger Car	33-34	35.00	ea.
128-6064	Passenger Car	35-35	35.00	ea.
128-6068	Passenger Car	36-36	35.00	ea.
128-6072	Standard Passenger Car & Pickup	40-40	35.00	ea.
128-6074	Standard Passenger & Deluxe	40-40	35.00	ea.

PAINT

CHASSIS-BLK-QT	SUPER BLACK CHASSIS	28-56	28.00	ea.
M-207-P	STAINLESS STEEL ENGINE & EXHAUST PAINT	28-56	25.00	ea.

MIRACLE PAINT , CHASSIS

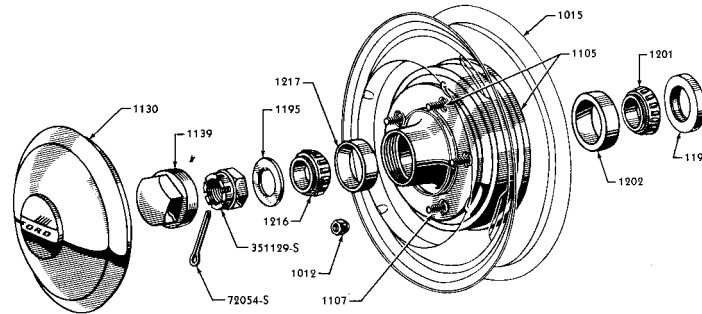
MIR-QB	BLACK, QUART	32-56	31.00	ea.
MIR-QS	SILVER, QUART	32-56	31.00	ea.
MIR-SB	BLACK, SPRAY CAN	28-64	15.00	ea.

ORDERS ONLY 1-800-417-3347

ENGINE ENAMEL			
M-200-Q	FORD GREEN, Quart can	28-41	13.95 ea.
M-200-GR-QT	FORD GREEN, Quart, by Bill Hirsch	28-41	31.00 ea.
M-200-S	FORD GREEN, Spray can	28-41	4.95 ea.
M-201	BLUE, spray can	42-48	4.75 ea.
M-201-P	BLUE, pint can	42-48	7.00 ea.
M-201-QT	BLUE, quart can, by Bill Hirsch	42-48	33.00 ea.
HIGH TEMP EXHAUST PAINT			
M-203-S	Black, 1800 degrees, spray can	32-64	16.00 ea.
M-204-S	Cast Iron Gray, 1800 degrees, spray can	32-64	16.00 ea.
M-205-P	Cast Iron Gray, 1800 degrees, 1 pint can	32-64	26.00 ea.
M-206-P	Black, 1800 degrees, 1 pint can	32-64	26.00 ea.
MISCELLANEOUS			
M-400	600W GEAR OIL, Quart	28-48	7.50 ea.
M-8500	WATER PUMP GREASE, Cartridge	28-53	3.95 ea.
109	CONTACT CEMENT , For Running Board Covers	32-48	12.50 ea.
M-9002	GAS TANK SEALER & SLOSHING COMPOUND, Alcohol resistant	ALL	26.00 ea.
UPS Haz Mat Shipping Charge, add \$4.00.			

FRAME

Wheel Area, Brakes, Front Axle, Steering, Ignition, Rear End, Battery, Exhaust, Springs



PASSENGER FRONT WHEEL HUB,
BEARING, CAP, ETC.

WHEEL AREA

TIRES

We are dealers for the popular brands of tires such as Firestone, BF Goodrich, & Commander. Please call with your needs for the latest price quote.

SPARE TIRE

40-1350	SPARE TIRE TRIM RING, 17", Stainless Steel	33-34	59.95 ea.
48-1350	SPARE TIRE TRIM RING, 16", Stainless Steel	35-36	59.95 ea.
B-18302-K	SPARE TIRE COVER SEAL, 32-36 Passenger, 32-48 Station Wagon	32-48	8.00 ea.

HUB CAPS

B-1130-A	HUB CAP, Stainless Steel with liner, 4 cylinder Car & Pickup	32-33	19.95 ea.
18-1130	HUB CAP, Stainless Steel with liner, 8 cylinder Car & Pickup	1932	19.95 ea.
40-1130-A	HUB CAP, Stainless Steel with liner, 8 cylinder Car & Pickup	1933	19.95 ea.
40-1130-B	HUB CAP, Stainless Steel with liner, 8 cylinder Car & Pickup	1934	19.95 ea.
40-1130-C	HUB CAP, Stainless Steel with liner, 4 cylinder Car & Pickup	1934	19.95 ea.
48-1130	HUB CAP, Stainless Steel with liner	1935	19.95 ea.
68-1130	HUB CAP, Stainless Steel	1936	45.00 ea.
01A-1130-A	HUB CAP, Special Version, 1940 Deluxe/Standard	1940	25.00 ea.
01A-1130	HUB CAP, Stainless Steel, Ford Deluxe	1940	25.00 ea.
01C-1130	HUB CAP, Stainless Steel, 1940 Standard Passenger & 1940-41 Pickup	40-41	25.00 ea.
11A-1130	HUB CAP, Stainless Steel, 1941 Passenger & 1941-42 Pickup	41-42	25.00 ea.
21A-1130	HUB CAP, Stainless Steel, also fits 1946 Pickup	1942	25.00 ea.
51A-1130	HUB CAP, Stainless Steel	1946	25.00 ea.
6A-1130	HUB CAP, Stainless Steel, 1947-48 Passenger & 48-56 Pickup	47-56	25.00 ea.

BABY MOON HUB CAPS

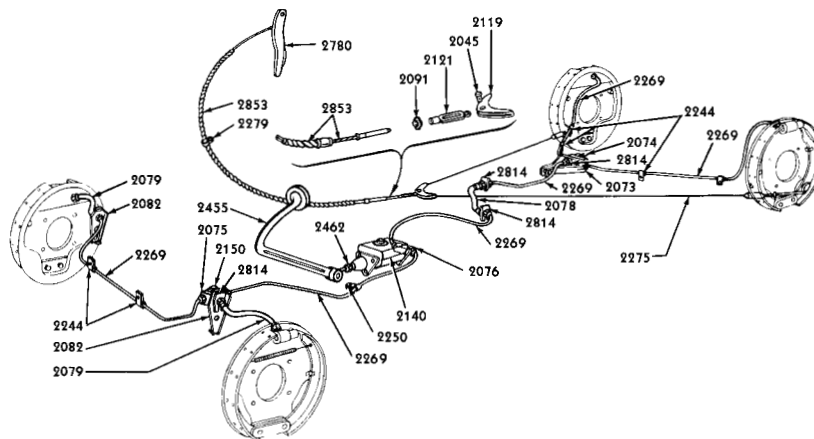
01A-1130-BM	BABY MOON, 40 Deluxe	1940	25.00 ea.
01C-1130-BM	BABY MOON, 40 Standard	1940	25.00 ea.
11A-1130-BM	BABY MOON, 41 Passenger, also fits 41-42 Pickup	41-42	25.00 ea.
21A-1130-BM	BABY MOON, Passenger & Pickup	42-48	25.00 ea.

ORDERS ONLY 1-800-417-3347

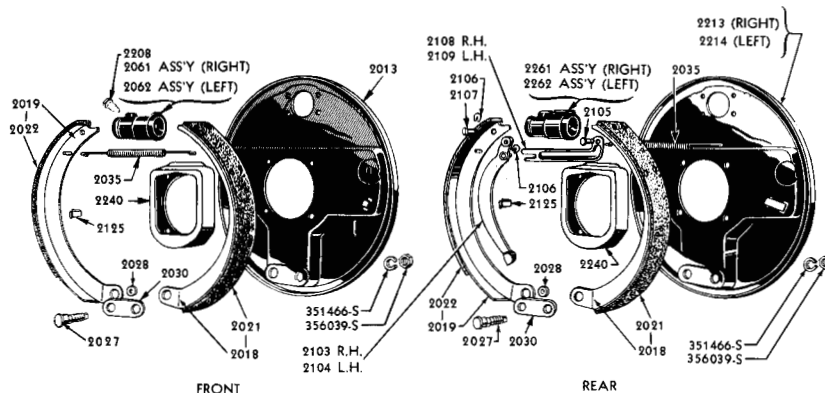
WHEEL TRIM RINGS			
6A-18303-14	BEAUTY RINGS, Smooth, Stainless Steel, (14")	40-56	25.00 ea.
6A-18303-15	BEAUTY RINGS, Smooth, Stainless Steel, (15")	32-53	25.00 ea.
6A-18303-16	BEAUTY RINGS, Smooth, Stainless Steel, (16")	32-53	25.00 ea.
01A-18303-15	BEAUTY RINGS, Ribbed, Stainless Steel, (15")	32-53	25.00 ea.
01A-18303-16	BEAUTY RINGS, Ribbed, Stainless Steel, (16")	32-53	25.00 ea.
8A-18303-15	BEAUTY RINGS, Convex Smooth	32-53	25.00 ea.
01A-18331	INNER BEAUTY RING, By Drake	1940	48.75 ea.
WHEEL NUTS, HUB BOLTS & STUDS			
B-1012	WHEEL NUT, Open Style, as used under a Hubcap	32-60	.60 ea.
B-1107	HUB BOLT, Front 28-35, Rear 32-35 & 1937	28-37	2.00 ea.
68-1107	HUB BOLT, Front & Rear	36-48	2.50 ea.
01A-1107-A	HUB BOLT, Front & Rear	40-48	2.00 ea.
01A-1107-C	HUB BOLT, Front & Rear	40-47	2.00 ea.
01A-1107-USAF	STUDS, USA Drums	40-48	3.00 ea.
01A-1107-USAR	STUDS, USA Drums	40-48	3.00 ea.
51A-1107	HUB BOLT, Passenger Front	46-48	2.00 ea.
BRAKE DRUMS & HUBS			
01A-1109	HUB, FRONT, NEW, Fits inside drum, use with 01A-1125 drums	40-42	84.50 ea.
21A-1125	BRAKE DRUM, Less Hub, Foreign Made, 40-47 Pickup	40-48	79.95 ea.
21A-1125-USA	BRAKE DRUM, USA Made, Top Quality. Hub Fits inside drum, Passenger & Pickup	40-48	125.00 ea.
51A-1125	BRAKE DRUM, Less Hub, Hub Fits over drum, Passenger & 40-47 Pickup	40-48	79.95 ea.
GREASE SEALS FRONT			
B-1190	SEAL, Front Wheel, Metal, Inner, Passenger & Pickup	28-34	1.95 ea.
48-1190	SEAL, Front Wheel, Passenger, 32-47 Pickup	35-48	3.00 ea.
9IT-1190	SEAL, Front Wheel, F4-5-6	39-56	4.95 ea.
A-1195	WASHER, Front Wheel Hub, Metal, grease retaining	28-48	1.50 ea.
AA-1195	WASHER, Front Wheel Hub, Metal, grease retaining, Truck	30-47	1.85 ea.
GREASE SEALS & SNAP RINGS REAR			
B-1175	GREASE SEAL, Rear Hub, Passenger & 1/2 Ton Pickup	28-38	3.95 ea.
78-1175	GREASE SEAL, Rear Hub (2.84" o.d.), Passenger & 1/2 Ton Pickup	38-48	3.95 ea.
BB-1175	GREASE SEAL, Rear Hub, Dual Wheel Truck	30-34	5.95 ea.
BB-1175-C	GREASE SEAL, Rear Hub, Dual Wheel Truck	35-48	15.00 ea.
B-1180	SNAP RING, for use with B-1225 bearing	28-36	.95 ea.
78-1180	SNAP RING, for use with 68-1125 bearing	38-48	.95 ea.
B-1183	FIBRE GASKET, for under Rear Axle Nut	28-48	.50 ea.
DUST CAP, FRONT HUB			
A-1138	DUST CAP, Front Hub, Press on style	28-35	2.50 ea.
68-1139	DUST CAP, Front Hub, Threaded style	35-46	6.95 ea.
51A-1139	DUST CAP, Front Hub, Press on style	45-48	3.50 ea.

WHEEL BEARING & RACE

B-1201	BEARING, Front Wheel, Inner, Passenger & 32-47 Pickup	28-48	13.95 ea.
BB-1201	BEARING, Front Inner, Big Truck	30-37	17.95 ea.
B-1202	RACE, Front Wheel Inner, Passenger & 32-47 Pickup	28-48	8.50 ea.
BB-1202	RACE, Inner, Big Truck	30-37	14.95 ea.
B-1216	BEARING, Front Wheel Outer, Passenger & 32-47 Pickup	28-48	14.95 ea.
BB-1216	BEARING, Outer, Big Truck	30-37	16.95 ea.
B-1217	RACE, Front Wheel Outer, Passenger & 32-47 Pickup	28-48	7.95 ea.
BB-1217	RACE, Outer, Big Truck	30-37	12.95 ea.
B-1225	BEARING, Rear Wheel, (1 23/32") long, (3.10" o.d.)	28-36	29.95 ea.
68-1225	BEARING, Rear Wheel, (1 21/32") long, (2.84" o.d.)	36-48	29.95 ea.
01Y-1201	BEARING, Front Wheel, 40-48 1 ton, 48-56 F-1 & F-3	40-56	15.95 ea.



1946-48 PASSENGER HYDRAULIC BRAKE SYSTEM



1939-42 PASSENGER BRAKE (FRONT & REAR)

Basic numbers only shown on illustration.

Order by Part Numbers shown in list of parts.

MECHANICAL BRAKES

ACC-2000	BRAKE ENERGIZER KIT, Brake floaters, improves braking	35-38	44.95 kit
ACC-2001	BRAKE ENERGIZER KIT, Brake floaters, Front wheels	28-34	28.95 kit
X-2000	HYDRAULIC BRAKE ADAPTOR SET, 4 Spacer Rings to adapt 1939-48 backing plates to 1928-36 spindles		23.95 set

ORDERS ONLY 1-800-417-3347

BRAKE LIGHT SWITCH			
48-13480	STOP LIGHT SWITCH, Passenger & Commercial	35-38	14.95 ea.
BRAKE LINING SETS			
40-2018-W	BRAKE LINING SET, Woven Type, Passenger/Pickup	32-34	84.95 set
48-2018-W	BRAKE LINING SET, Woven Type, Passenger/Pickup	35-38	84.95 set
40-2018	BRAKE LINING SET, Molded Type, With rivets	32-34	69.95 set
48-2018	BRAKE LINING SET, Molded Type, With rivets	35-38	69.95 set
BRAKE PARTS			
A-2022	RIVET SET, should you need extras	28-38	3.00 set
X-2018	RIVET TOOL	ALL	29.95 ea.
B-2023	ROLLER, Brake Shoe, Set of 16	28-34	15.95 set
48-2023	BRAKE SHOE ROLLERS	35-38	2.00 ea.
A-2035	SPRING, Long, Set of 4	28-34	1.25 set
B-2036	BRAKE SPRINGS, Short, 8 required	32-34	2.95 ea.
48-2035	BRAKE SHOE RETRACT SPRINGS, 2 per wheel,	35-36	2.50 ea.
78-2034	BRAKE SHOE RETRACT SPRING	37-38	3.50 ea.
78-2036	BRAKE SHOE RETRACT SPRING	37-38	3.50 ea.
A-2041	ADJUSTING WEDGE, 4 per car required,	28-36	8.75 ea.
68-2041	WEDGE, Brake Shoe adjusting	36-36	3.00 ea.
78-2041	WEDGE, Brake Shoe adjusting	37-38	3.00 ea.
B-2045	PIN, Brake Shoe Roller	28-34	.75 ea.
B-2050	OPERATING WEDGE, Front brake,	28-34	8.50 ea.
48-2050	BRAKE OPERATING WEDGE	35-36	10.00 ea.
A-2051	WEDGE STUD, With washer included	28-34	6.95 ea.
A-2052	SHIMS, to lengthen operating pins	28-34	1.25 pr.
B-2082	BUSHING, Front Brake Shaft	28-36	.75 ea.
A-2085	PIN, Front Brake Lever	28-34	.95 pr.
48-2075	BRAKE OPERATING PIN	35-36	5.95 ea.
A-2087	DUST RING, Front Brake Lever	28-34	1.75 pr.
B-2227	BUSHING, Rear Brake Camshaft, Set of 4	28-34	2.95 set
B-2230	CAM, Rear Brake,	28-34	6.95 ea.
B-2231-A	CAMSHAFT, Rear Brake,	28-34	9.75 ea.
B-2234-S	RING, Camshaft	28-34	.95 pr.
A-2238	PIN, Rear Brake Camshaft Lever	28-34	.85 pr.
B-2461	CLEVIS, Forked end, for brake rod	28-36	2.50 ea.
A-2462	CLEVIS PIN, Standard	28-36	.50 ea.
A-2463	CLEVIS PIN, Oversize, for worn holes	28-36	.50 ea.
A-2469	LOCK NUT SET, 7 piece, for Brake Rod Clevis & Ends	28-36	.95 set
BRAKE PEDAL SPRINGS			
40-2456	BRAKE PEDAL RETURN SPRING	33-34	2.95 ea.
78-2456	BRAKE PEDAL RETURN SPRING	37-38	2.50 ea.
01A-2456	BRAKE PEDAL RETURN SPRING	40-41	2.00 ea.

32-48 Passenger Cars & 32-47 Pickup Trucks

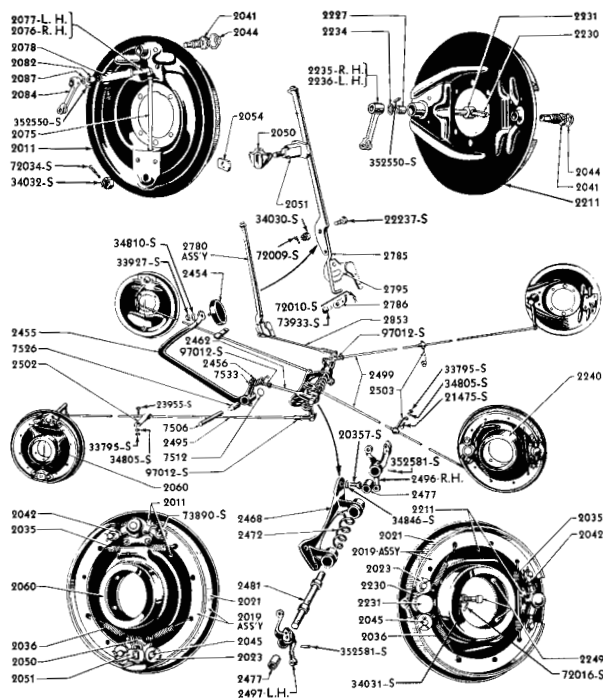
01T-2472	BRAKE PEDAL RETURN SPRING, Commercial & Truck	40-47	3.95 ea.
48-2472	BRAKE PEDAL RETRACTING SPRING, one per car	35-36	2.50 ea.

BRAKE RODS

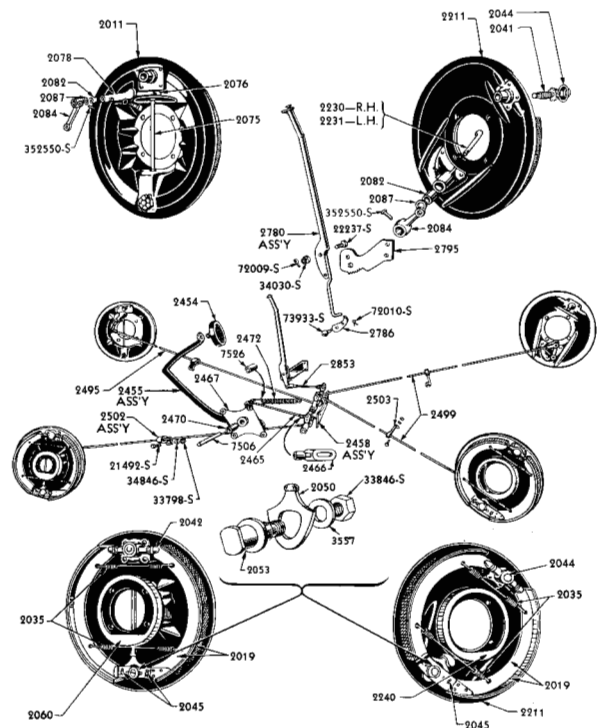
18-2499	REAR BRAKE ROD	1932	19.95 ea.
40-2495	FRONT BRAKE ROD	32-34	19.95 ea.
40-2499	REAR BRAKE ROD	33-34	19.95 ea.
48-2495	FRONT BRAKE ROD	35-36	19.95 ea.
48-2499	REAR BRAKE ROD	35-36	19.95 ea.
40-2495	BRAKE ROD	32-34	19.95 ea.
48-2495	BRAKE ROD	35-36	19.95 ea.

BRAKE ROD SUPPORTS

B-2502	BRAKE ROD SUPPORT STRAPS, Front	32-34	15.00 pr.
48-2502	BRAKE ROD SUPPORT, Front	35-36	6.95 ea.
B-2503	BRAKE ROD SUPPORT, Rear	32-34	9.95 ea.
48-2503	BRAKE ROD SUPPORT, Rear	35-36	8.95 ea.



1933-34 PASSENGER AND COMMERCIAL
BRAKE SYSTEM
Basic numbers only shown on illustration.
Order by Part Numbers shown in list of parts.



1935-36 PASSENGER AND COMMERCIAL
BRAKE SYSTEM
Basic numbers only shown on illustration.
Order by Part Numbers shown in list of parts.

HYDRAULIC BRAKES

91A-2007	BRAKE LINING SET, 8 pieces, With rivets, Passenger & 39-47, 1/2 Ton Pickup	39-48	42.95 set
----------	--	-------	-----------

ORDERS ONLY 1-800-417-3347

VISA • MASTERCARD • DISCOVER

BRAKE SHOES			
B-2000-W	BRAKE SHOES, Relined, Woven Lining, 2 wheels	32-34	49.95 pr.
B-2000-M	BRAKE SHOES, Relined, Molded	32-34	39.95 pr.
48-2000-M	BRAKE SHOES, Molded	35-37	39.95 pr.
48-2000-W	BRAKE SHOES, Woven	35-37	49.95 pr.
78-2000-M	BRAKE SHOES, Molded, late 37-38	37-38	39.95 pr.
78-2000-W	BRAKE SHOES, Woven, late 37-38	37-38	49.95 pr.
01A-2001	BRAKE SHOES, Relined, 2 wheels Front or Rear, Passenger & Commercial	39-42	39.95 pr.
01A-2001-KIT	BRAKE OVERHAUL KIT, Includes: 2 Sets Brake Shoes, 4 New Wheel Cyl, 2 Front Hoses, 1 Rear Hose, 4 Brake Springs, 2 Front Grease Seals, 2 Rear Grease Seals, <i>CORE CHR: 50.00 ea. set of shoes</i>	39-48	249.95 kit
51A-2001-KIT	BRAKE OVERHAUL KIT, Passenger & Pickup, Includes: 2 Sets Brake Shoes, 4 New Wheel Cyl, 2 Front Hoses, 1 Rear Hose, 4 Brake Springs, 2 Front Grease Seals, 2 Rear Grease Seals <i>CORE CHR: 50.00 ea. set of shoes</i>	44-48	249.95 kit



01A-2001-PKG Brake Overhaul Kit



01A-2001 51A-2001

PLEASE NOTE DIFFERENCE IN SHOE TYPES
01A-2001 39-42 shoe has a perfect round hole as opposed to the 51A-2001 which has a hole with two flat sides.

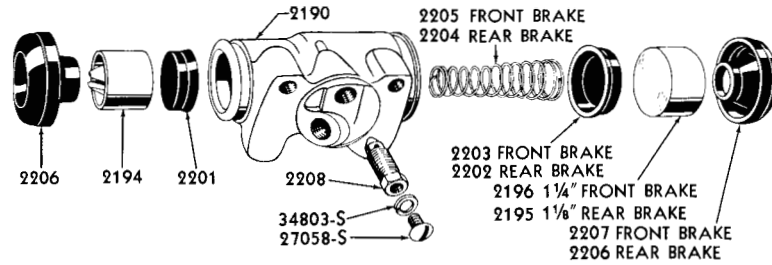
51A-2001	BRAKE SHOES, Relined, 2 wheels, Front or Rear, Passenger & Commercial, Also fits 48-51, F-2 & F-3 <i>CORE CHARGE 32-48 shoes - \$50.00 per pair</i>	45-48	39.95 pr.
----------	---	-------	-----------

BRAKE SHOE SPRINGS

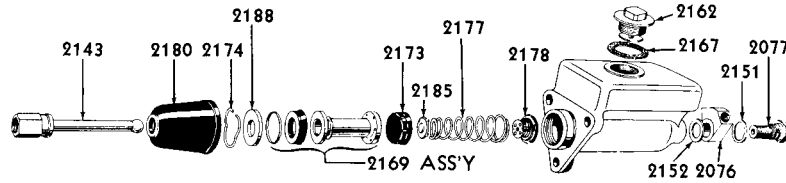
91A-2035	SPRING, for Brake Shoe	39-48	2.00 ea.
92Y-2035	SPRINGS, Brake Return, 1-1/2 Ton Trucks	39-52	2.50 ea.

MASTER CYLINDERS

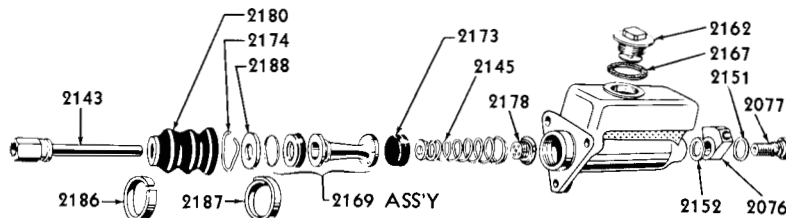
91A-2140	MASTER CYLINDER, Brand New, Passenger & 40-52 Pickup	39-48	79.95 ea.
91T-2140	MASTER CYLINDER, F-2 thru F-6 Trucks	39-52	77.95 ea.
8C-2162	MASTER CYLINDER COVER	39-56	9.75 ea.
91A-2167	MASTER CYLINDER COVER GASKET	39-56	1.00 ea.
91A-7011136	MASTER CYLINDER COVER PLATE, Passenger & 48-52 Pickup	39-48	6.00 ea.
8A-2471	MASTER CYLINDER BUSHING		3.00 ea.
91A-2143	PUSH ROD, for Master Cylinder	39-48	12.95 ea.
91A-2462	BOLT, Pedal to Master Cylinder, Passenger & Commercial	39-48	4.95 ea.



PASSENGER AND COMMERCIAL BRAKE WHEEL CYLINDER



PASSENGER AND COMMERCIAL BRAKE MASTER CYLINDER



TRUCK BRAKE MASTER CYLINDER

Basic numbers only shown on illustration.
Order by Part Numbers shown in list of parts.

WHEEL CYLINDERS

21A-2061	WHEEL CYLINDER, Right Front, also fits 48-51 F-2&3 Pickup	39-48	32.95 ea.
21A-2062	WHEEL CYLINDER, Left Front, also fits 48-51 F-2&3 Pickup <i>This is a 1942-48 cylinder which will retro-fit 1939-41. However, replace in pairs to maintain equal braking action.</i>	39-48	32.95 ea.
91A-2261	WHEEL CYLINDER, Right Rear	39-48	32.95 ea.
91A-2262	WHEEL CYLINDER, Left Rear	39-48	32.95 ea.

MASTER CYLINDER / WHEEL CYLINDER REBUILD KITS

91A-2004	MASTER CYLINDER REBUILD KIT, USA Made, also fits 48-56 Pickup	39-48	9.95	kit
91T-2004	MASTER CYLINDER REBUILD KIT, Full Size Trucks	39-50	8.95	kit
91A-2140-KIT	MASTER CYLINDER /WHEEL CYLINDER KIT, Includes: 1 New Master Cylinder, 4 New Wheel Cylinders, 2 Front Brake Hoses, 1 Rear Brake Hose. This kit also used when converting early mechanical brakes to hydraulic brakes.	39-48	198.95	kit



91A-2140-KIT
MASTER CYL/WHEEL CYL KIT.

ORDERS ONLY 1-800-417-3347

91A-2128	BRAKE WHEEL CYLINDER REBUILD KIT, Rear, Passenger & Pickup	39-48	3.25 kit
91T-2128	REAR WHEEL CYLINDER REPAIR KIT, Big Trucks	39-52	4.50 kit
91A-2221	BRAKE WHEEL CYLINDER REBUILD KIT, Original Cylinders, Front Wheels	39-41	4.50 kit
21A-2221	BRAKE WHEEL CYLINDER REBUILD KIT, Front Passenger & Pickup <i>We also stock premium USA made kits which are more comprehensive than the ones listed. Prices are slightly higher please inquire.</i>	39-48	3.50 kit
BRAKE HOSES			
91A-2078	HOSE, Rear, Rubber, need one per Passenger Car, Not for Trucks	39-48	11.95 ea.
99A-2079	HOSE, Front, Rubber, need two per car, Passenger & 39-47 Pickup	39-48	13.95 ea.
01T-2078	HOSE, Rear, Big Truck	42-60	14.95 ea.
STEEL BRAKE LINES			
<i>All of the below listed tubing is 1/4" and comes with two (2) fittings.</i>			
91A-2265-BAA	STEEL BRAKE LINE, 8"	39-48	2.15 ea.
91A-2265-BA	STEEL BRAKE LINE, 12"	39-48	2.15 ea.
91A-2265-BB	STEEL BRAKE LINE, 20"	39-48	2.15 ea.
91A-2265-BC	STEEL BRAKE LINE, 30"	39-48	2.50 ea.
91A-2265-BD	STEEL BRAKE LINE, 40"	39-48	2.85 ea.
91A-2265-BE	STEEL BRAKE LINE, 51"	39-48	3.15 ea.
91A-2265-BF	STEEL BRAKE LINE, 60"	39-48	3.15 ea.
91A-2265-BG	STEEL BRAKE LINE, 72"	39-48	4.95 ea.
STAINLESS STEEL BRAKE LINE KITS			
91A-2269-K	STEEL BRAKE LINE KIT, With Springs & Fittings, Passenger	1939	59.95 kit
01A-2269-K	STEEL BRAKE LINE KIT, With Springs & Fittings, Passenger	40-41	59.95 kit
11A-2269-K	COMPLETE BRAKE LINE KIT, Stainless Steel, includes all fittings, Passenger	41-42	170.00 kit
51A-2269-K	COMPLETE BRAKE LINE KIT, Stainless Steel, includes all fittings, Passenger	46-48	170.00 kit
BRAKE LIGHT SWITCH			
11A-13480	STOP LIGHT SWITCH, For all with Hydraulic Brakes, mounts on Master Cylinder	39-66	6.50 ea.
MISCELLANEOUS BRAKE PARTS			
91A-2027	BRAKE SHOE ANCHOR PIN	39-45	4.95 ea.
91A-2028	BRAKE SHOE CAM	39-45	3.95 ea.
51A-2028	BRAKE SHOE CAM, Round with two flat sides	46-48	2.75 ea.
91A-2030	ANCHOR PIN PLATE	39-45	2.00 ea.
59A-2056	FRONT BACKING PLATE BOLT	37-48	2.00 ea.
91A-2074	BRASS BRAKE REAR CONNECTOR "T", Passenger & Commercial	39-41	7.95 ea.
99-2074	BRASS BRAKE CONNECTOR REAR "T"	41-48	5.95 ea.
91A-2075	BRASS BRAKE CONNECTOR, Front Passenger & Commercial	39-48	6.75 ea.
91A-2076	MASTER CYLINDER OUTLET CONNECTOR	39-40	7.95 ea.
99A-2076	MASTER CYLINDER OUTLET CONNECTOR	39-48	5.95 ea.
91T-2076	MASTER CYLINDER OUTLET CONNECTOR, Commercial F2/3/5	42-56	4.95 ea.
91A-2077-A	MASTER CYLINDER OUTLET FITTING BOLT	39-48	4.85 ea.

32-48 Passenger Cars & 32-47 Pickup Trucks

Early Ford
U-8 Sales, Inc.

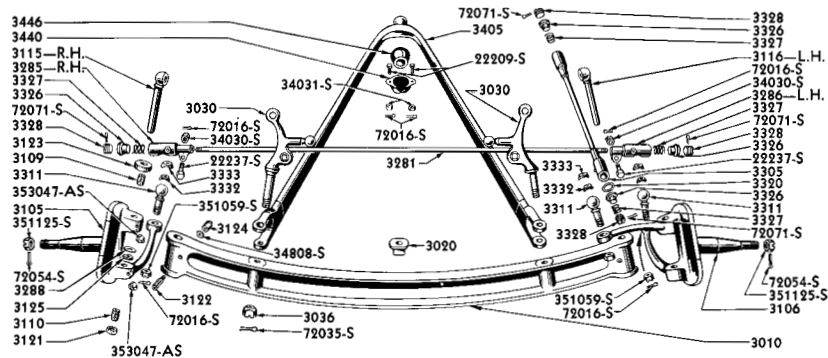
91A-2080	FRONT WHEEL CYLINDER INLET CONNECTION	39-41	6.75 ea.
91A-2106	HAND BRAKE U-CLIP RETAINER	39-48	.25 ea.
91A-2119	HAND BRAKE EQUALIZER	39-48	4.95 ea.
91A-2149	MASTER CYLINDER COPPER O RING GASKET (.45)	39-48	.80 ea.
91A-2151	MASTER CYLINDER COPPER O RING GASKET (.61)	39-48	.90 ea.
91A-2152	COPPER O RING GASKET ON MASTER CYLINDER	39-48	.90 ea.
91A-2180	MASTER CYLINDER RUBBER BOOT	39-48	1.85 ea.
CLUTCH & BRAKE PEDAL PADS			
B-2454	1932, Ford script on back		20.00 ea.
40-2454	1933-36		7.50 ea.
78-2454	1937-40		7.50 ea.
11A-2454	1941-48		7.50 ea.
11A-2454	1941-56, Pickup Truck		7.50 ea.
7RT-2454	41-56, Pickup, Slightly larger, By Bob Drake		10.00 ea.
BRAKE & CLUTCH PEDAL BUMPERS/SEALS			
B-35184	BRAKE & CLUTCH PEDAL BUMPERS, 32-34 Passenger, 48-52 Pickup, fits in metal plate under wood floor	32-34	3.40 pr.
48-700386	BRAKE & CLUTCH PEDAL BUMPERS, Under Wood Floor Boards, includes screws	35-38	3.50 pr.
91A-2476/7527	BRAKE & CLUTCH PEDAL WEATHER SEALS, Rides on Pedal Arms under floor	39-48	6.50 pr.
HAND BRAKE & CABLE			
91A-2272	EMERGENCY CABLE GUIDE BRACKETS AT RADIUS ROD	39-40	5.95 pr.
GROMMETS			
91A-2271	GROMMET, Hand Brake Cable on Rear Radius Rod	39-40	4.50 pr.
91A-2273-A	GROMMET, Hand Brake Cable to Frame, Pickup 39-41 & Passenger	39-40	1.75 ea.
01A-17265	GROMMET, Hand Brake & Speedo Cable thru Firewall	39-40	3.00 ea.
11A-17265	GROMMET, Hand Brake & Speedo Cable thru Firewall	41-48	3.25 ea.
HANDBRAKE CABLES TO REAR WHEELS			
91A-2275	HAND BRAKE CABLE, to Rear Wheels, With boots, (122")	39-41	14.95 ea.
21A-2275	HAND BRAKE CABLE, to Rear Wheels, With boots, (107 1/2")	41-48	14.95 ea.
21C-2275	HAND BRAKE CABLE, to Rear Wheels, need 2 per vehicle, fits Pickup 1942-47, 1942-52 F2 & F3	42-52	29.95 ea.
91A-2597-D	BOOTS, for above #2275 Hand Brake Cables	39-48	6.00 pr.
78-2814	CLIP, for Brake Hose & for Hand Brake Cable Spring Lock	39-48	.90 ea.
HANDBRAKE CABLE TO DASH HANDLE			
78-2853	HAND BRAKE CABLE, to Dash Handle, 60"	37-38	33.75 ea.
01C-2853	HAND BRAKE CABLE, to Dash Handle, also fits Pickup 39-41, (70")	1939	28.95 ea.
01A-2853	HAND BRAKE CABLE, to Dash Handle, except 41 Wagon, (77")	40-41	28.95 ea.
11A-2853	HAND BRAKE CABLE, to Dash Handle, includes 41 Wagon, (87 1/2")	42-48	28.95 ea.
21C-2853	HAND BRAKE CABLE, to Dash Handle, Pickup Truck & Commercial	42-47	28.95 ea.

ORDERS ONLY 1-800-417-3347

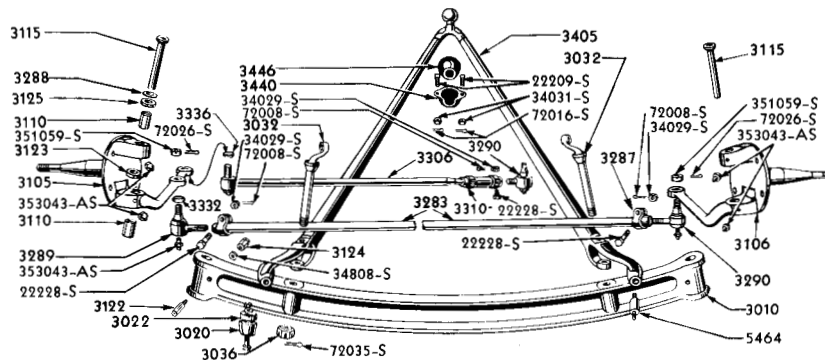
VISA • MASTERCARD • DISCOVER

FRONT AXLE

B-3020	FRONT AXLE BUMPER, One per car, Passenger & Pickup	32-34	10.00 ea.
48-3020	FRONT AXLE BUMPER, Passenger & Pickup	35-38	6.95 ea.
91A-3020	FRONT AXLE BUMPER, Passenger & Pickup	39-40	7.95 ea.
11A-3020	FRONT AXLE BUMPER, Passenger	41-45	5.95 ea.
51A-3020	FRONT AXLE BUMPER, Passenger	46-48	6.95 ea.
	See page 23 for Rear axle bumpers.		
A-3036	PERCH NUT	28-48	1.65 ea.



1933-34 PASSENGER FRONT AXLE AND RELATED PARTS



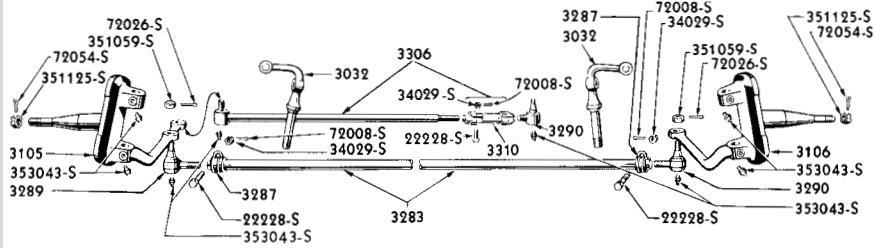
1937-39 PASSENGER AND 1937-41 COMMERCIAL FRONT AXLE AND RELATED PARTS

Basic numbers only shown on illustration.
Order by Part Numbers shown in list of parts.

SPINDLE BOLT (KINGPIN) AREA

78-3107	KING PIN SHIMS	28-41	0.35 ea.
X-3111	KING PIN REPAIR KIT	28-41	21.95 kit
	<i>Above kit contains all the parts except the Spindle Bolts (Kingpins) themselves. If your kingpins are good but you need new bushings, bearings, felts, shims and hardware, then order this kit.</i>		
11A-3110	KING PIN BUSHING, in case you ruin one	28-41	2.50 ea.
21A-3110	KING PIN BUSHING	42-52	2.50 ea.
A-3222	KINGPIN LOCK PIN, in case you ruin one	28-41	1.25 ea.

32-48 Passenger Cars & 32-47 Pickup Trucks



1935 PASSENGER SPINDLE AND STEERING CONNECTING RODS

SPINDLE BOLT

B-3111	SPINDLE BOLT (KINGPIN) SET, complete with all hardware, Passenger & Pickup	32-34	125.00 set
48-3111	SPINDLE BOLT (KINGPIN) SET, complete with all hardware	35-36	85.00 set
78-3111	SPINDLE BOLT (KINGPIN) SET, complete with all hardware	37-41	34.95 set
21A-3111	SPINDLE BOLT (KINGPIN) SET, complete with all hardware, also fits Pickup 1942-52	42-48	34.95 set
BB-3111	SPINDLE BOLT (KINGPIN) SET, complete for "AA" or "BB"	30-34	84.95 set
51-3111	SPINDLE BOLT SET, Full Size Truck	35-37	79.95 set
81T-3111	SPINDLE BOLT SET, Big Truck	38-52	79.95 set

TIE ROD

11A-3270	TIE ROD END, Right	35-59	10.95 ea.
11A-3270/1	TIE ROD END SET, Left & Right	35-59	15.95 pr.
11A-3271	TIE ROD END, Left	35-59	10.95 ea.
01T-3270	TIE ROD END, Right, Big Truck	35-47	13.95 ea.
01T-3270	TIE ROD END, Left, Big Truck,	35-47	13.95 ea.
48-3283	TIE ROD, Without ends, (45"), Passenger & Pickup	35-36	39.50
78-3283	TIE ROD, Without ends, (43.65"), Passenger & Pickup	37-41	39.50
21A-3283	TIE ROD, No ends, 42 -48 Passenger, 42-52 F1-3 Pickups	42-52	39.95
48-3287	TIE ROD END CLAMPS	32-48	2.95 ea.
11A-3310	TIE ROD COUPLING SLEEVE	35-65	10.95 ea.
8M-3332	TIE ROD END SEALS	35-60	.50 ea.

TIE ROD/DRAG LINK

40-3312-S	TIE ROD or DRAG LINK KIT, Internal parts	28-34	8.95 kit
A-3305-SE	TIE ROD or DRAG LINK KIT, Internal parts, Teflon	28-34	35.95 kit
BB-3332	TIE ROD or DRAG LINK SEAL SET, Rubber, Set of 4	28-34	4.00 set
B-3333	TIE ROD or DRAG LINK RETAINERS, Metal, for A-3332 seals, Set of 4		3.25 set
01A-3533-SPR	SWAY BAR SWIVEL ASSEMBLY	40-41	48.50 pr.
51A-5464	SWAY BAR SWIVEL STUD	40-41	7.50 ea.
51A-18197	TRACK BAR BUSHING	42-48	1.00 ea.
11A-3558	SWAY BAR BUSHING	40-41	3.95 ea.
21A-5484A	STABILIZER BAR BUSHING	42-48	3.95 ea.

ORDERS ONLY 1-800-417-3347

DRAG LINK ASSEMBLIES

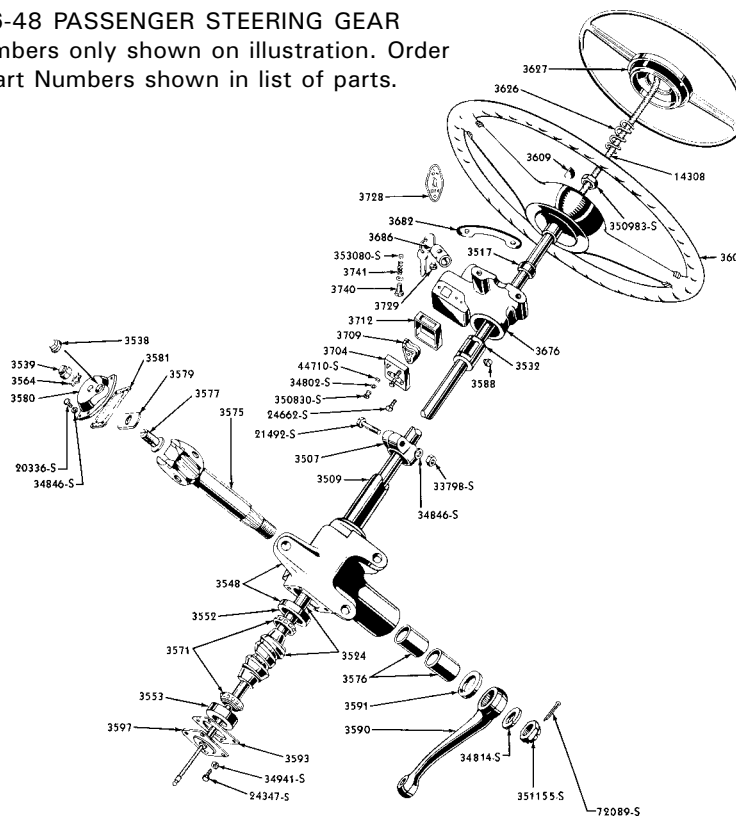
11Y-3306	DRAG LINK, With Ends and Seals Passenger & Pickup	35-41	79.95
11A-3306	DRAG LINK, With Ends and Seals (has "hook" bend)	1941	89.95
21A-3306	DRAG LINK, With ends and Seals	42-48	79.95
21C-3306	DRAG LINK, 1/2 Ton Pickup	42-47	115.95
7RC-3336	RUBBER COVER, DRAG LINK, (need 2 per drag link)	48-56	3.00 ea.
48-3332	SEAL SET, for Tie Rod and Drag Link Ends, 4 pieces,	35-48	5.00 set
78-3336	SEAL CAP WASHER	37-48	.50 ea.

RADIUS ROD

B-3446	BUSHING, Rubber Ball style	28-40	1.75 ea.
11A-3446	BUSHING, Rubber Ball style	41-48	2.35 ea.
B-3440	BALL BUSHING CAP	32-40	1.75 ea.
11A-3440	BALL BUSHING CAP	41-48	4.95 ea.

STEERING

1946-48 PASSENGER STEERING GEAR
Basic numbers only shown on illustration. Order by Part Numbers shown in list of parts.



B-3517-N	RUBBER BUSHING, With Brass Insert, By Bob Drake	32-48	20.00 ea.
51A-3517	UPPER COLUMN RUBBER BUSHING	41-48	4.50 ea.
40-3524	WORM GEAR, (15:1) ratio, Passenger & Commercial	32-34	45.00 ea.
48-3524	WORM GEAR, (15:1) ratio, Passenger & Commercial	35-35	54.95 ea.
68-3524	WORM GEAR, (17:1) ratio, Passenger & Commercial	36-36	59.95 ea.
78-3524	WORM GEAR, Passenger & Commercial	37-48	54.95 ea.
B-3528	CORK SEAL	29-36	.45 ea.

32-48 Passenger Cars & 32-47 Pickup Trucks

Early Ford
U-8 Sales, Inc.

B-3552	CUP, Steering Worm Bearing, Lower	32-36	7.50 ea.
B-3552	CUP, Steering Worm Bearing, Upper	37-48	7.50 ea.
68-3553	CUP-UPPER, Worm Bearing	32-36	75.00 ea.
8A-3553	CUP, Steering Worm Bearing, Lower	37-48	16.95 ea.
B-3571	ROLLER BEARING, Steering Worm	32-35	12.95 ea.
68-3571	ROLLER BEARING, Steering Worm	36-48	5.95 ea.
SECTOR SHAFT			
B-3575-B	SECTOR SHAFT, (15:1) Ratio	32-34	79.95 ea.
48-3575	SECTOR SHAFT, Passenger & Commercial	35-35	79.95 ea.
68-3575	SECTOR SHAFT, Passenger & Commercial	36-36	79.95 ea.
7RC-3575	SECTOR SHAFT, Passenger & Commercial	37-52	129.95 ea.
51-3575	SECTOR SHAFT, for 2 ton Truck, an old stock item, quantity limited,	35-37	85.00 ea.
SECTOR ROLLER & PIN KIT,			
	<i>Use to replace roller on your shaft.</i>		
7RC-3575-X	SECTOR ROLLER & PIN KIT, 37-48 Passenger & 48-52 Pickup F-1, also fits Mercury	37-52	59.95 kit
68-3576	SECTOR BUSHINGS, Needle Design, Passenger & Commercial (1.06 I.D. 49-56)	36-36	7.50 ea.
78-3576	SECTOR BUSHINGS, also fits 48-52 Pickup F-1-3, 32-35 Passenger	37-52	3.95 ea.
B-3579	ADJUSTING SCREW THRUST WASHER, Passenger & Commercial	29-36	3.00 ea.
78-3579	SECTOR SHAFT ADJUSTING SCREW WASHER, Car & Commercial Pickup Truck 1948-52, F-1, F-2 & F-3	37-48	2.45 ea.
STEERING BOX GASKET SETS			
B-3581-S	GASKET SET, for Steering Box	32-36	6.00 set
78-3581	GASKET SET, for Steering Box	37-48	6.00 set
PITMAN ARM			
11A-3590	PITMAN ARM	1941	33.95 ea.
GASKETS & SEALS			
48-3591	SECTOR SHAFT OIL SEAL, Passenger & Commercial	35-48	3.00 ea.
B-3593	STEERING BOX GASKET, End Plate Gasket, Pickups, F-1, F-2 1948-1960	48-60	1.00 ea.
B-3507	STEERING COLUMN CLAMP, Old stock, quantity limited	32-48	4.95 ea.
STEERING WHEEL			
68-3600A	STEERING WHEEL, Passenger & Pickup	35-36	175.00 ea.
78-3600-A	STEERING WHEEL, Standard Car & Pickup	37-38	160.00 ea.
91A-3600-B	STEERING WHEEL, 1939 Banjo, Stainless Steel, Steel spokes, also fits 1937-38	37-39	175.00 ea.
01A-3600-STD	STEERING WHEEL, 1940 Standard Passenger & 40-47 Pickup	1940	300.00 ea.
01A-3600-DLX	STEERING WHEEL, 1940 Deluxe Passenger	1940	275.00 ea.
6A-3600	STEERING WHEEL, 41-48 Passenger	41-48	150.00 ea.
B-3609	KEY to install Steering Wheel	29-48	.90 ea.
B-3610	NUT to install Steering Wheel	29-48	.85 ea.

ORDERS ONLY 1-800-417-3347

VISA • MASTERCARD • DISCOVER

HORN BUTTON			
01A-3627-A	HORN BUTTON, Passenger, Standard	40-40	7.00 ea.
01A-3627-B	HORN BUTTON, Passenger, Deluxe	40-40	7.00 ea.
11C-3627-A	HORN BUTTON, Pickup	40-47	15.00 ea.
6A-3627	HORN BUTTON, "GOLD FEATURES"	42-48	29.50 ea.
6A-3627-B	HORN BUTTON, "BLUE FEATURES"	42-48	29.50 ea.
LIGHT SWITCH & HARDWARE			
11A-3672	HORN BUTTON INSULATOR	42-48	3.00 ea.
B-3568-S	STEERING HOUSING END PLATE	29-36	5.95 ea.
B-3569	LIGHT SWITCH BRACKET, at end of Steering Column	28-39	5.00 ea.
B-3642	SPIDER SPRING, to install Horn and Light rod	28-39	1.00 ea.
B-3643	SPIDER, Fork Shaped piece to install Horn and Light rod	28-39	3.00 ea.
B-3644	RETAINER, Horse Shoe shaped Clip	28-39	.35 ea.
B-3647	BALE, for Headlamp Switch to Steering Column	28-34	2.00 ea.
78-3647	LIGHT SWITCH BALE	37-39	3.50 ea.
B-11655-S	HEADLAMP SWITCH ASSEMBLY, Bottom of Steering Column	29-37	15.95 ea.
IGNITION SWITCH			
IGNITION LOCK RUBBER SHIM PAD			
B-3682	SHIM PAD	1932	1.00 ea.
40-3682	SHIM PAD	33-34	1.00 ea.
48-3682	SHIM PAD	35-36	1.00 ea.
78-3682	SHIM PAD	1937	1.00 ea.
81A-3682	SHIM PAD	38-39	3.00 ea.
01A-3682	SHIM PADS	1940	1.00 pr.
11A-3682	SHIM PAD	41-48	4.00 ea.
IGNITION LOCK CYLINDER			
48-3686	IGNITION LOCK CYLINDER, With 2 Keys	1935-48	16.75 ea.
68-3729	SPECIAL PIN, to hold Cylinder & Lock Assembly Pin	36-48	2.50 ea.
IGNITION SWITCH BODY			
B-3704	IGNITION SWITCH BODY	32-37	7.95 ea.
81A-3704/9-K	IGNITION SWITCH BODY & BRUSH	38-47	13.00 ea.
09A-3704	IGNITION SWITCH BODY	41-48	8.95 ea.
IGNITION SWITCH LEVER			
40-3735	IGNITION SWITCH LEVER, Chrome	33-34	17.50 ea.
KEY BLANKS			
B-3686-KB	KEY BLANK, Ignition & Door Lock (35-48 door lock)	32-48	4.00 ea.
B-3686-KC	KEY BLANK, Deck Hand, Glove Box, Spare Tire Lock	32-48	4.00 ea.

32-48 Passenger Cars & 32-47 Pickup Trucks

REAR END			
<i>Complete Rear End Assemblies available with 3:54:1 High Speed Gears, all New Seals and Bearings. Ready to install - call for availability & pricing</i>			
RING & PINION GEARS			
B-4209-HS	RING & PINION GEAR SET, (3:55:1), Passenger & Pickup	28-32	285.00 set
40-4209-HS	RING & PINION GEAR SET, (3:54:1), Passenger & Pickup, 32-V8	32-34	499.00 set
68-4209-HS	RING & PINION GEAR SET, (3:54:1), Pickup	35-41	450.00 set
EF-4209-SA	SPLINE ADAPTER, for 35-37 install, 10 to 6 Spline	35-37	38.95 ea.
M-400	HEAVY OIL, 600W for early years V8, 1 quart	ALL	4.95 ea.
B-4012	AXLE HOUSING REPAIR RACE, repair Bearing Race at end of Axle (machining required), USA Made	32-48	19.95 ea.
AS-4235	SHIMS, for Worn Axle Taper	32-48	2.50 pr.
B-4243	AXEL KEY	28-48	.95 ea.
48-4059/60	COLUMBIA THRUST WASHER SET	35-48	29.95 set
48-4684	SPLINE ADAPTER, (10 x 6)	35-48	59.95 ea.
GASKETS & SEALS			
B-4035	CENTER HOUSING GASKETS	32-48	4.00 pr.
B-4245	SEAL, Axle & Driveshaft, order 3 per car, Passenger & Commercial	28-48	2.00 ea.
B-4515-S	U-JOINT GASKETS	32-48	3.95 ea.
18-4035-S	REAREND GASKET SET, Includes: 003, 005, 007, 009, banjo housing, gasket, u-joint, torq tube, speedo gasket	32-48	19.95 set
18-4507	TORQUE TUBE GASKET	32-34	.70 ea.
48-4507	TORQUE TUBE GASKET	35-48	.70 ea.
REAR AXLE BEARINGS			
18-4221	BEARING, Differential Thrust, order 2 per car, Passenger & Commercial	32-36	41.95 ea.
B-4221	DIFFERENTIAL BEARINGS, Model B, also used as Pinion Bearings	28-32	32.95 ea.
18-4222	CUP, for above 18-4221 Differential Thrust Bearing, Passenger & Commercial	32-36	16.95 ea.
68-4221	BEARING, Differential Thrust, order 2 per car, Passenger & 37-47 Commercial	37-48	29.95 ea.
68-4222	CUP, for above 68-4221 Differential Thrust Bearing, Passenger & 37-47 Commercial	37-48	19.95 ea.
18-4616	DOUBLE CUP, for Pinion Bearing, Passenger & Commercial	32-34	59.95 ea.
48-4616	DOUBLE CUP, for Pinion Bearing, Commercial 35-47	35-48	47.50 ea.
18-4621	PINION BEARING, order 2 per car	32-34	24.95 ea.
48-4621	PINION BEARING, order 2 per car	35-48	34.95 ea.
18-4625-A	PINION PILOT BEARING, 1 per car	32-48	34.95 ea.
B-4645	ROLLER BEARING, for Drive Shaft, 1 per car	28-48	11.95 ea.
B-4655	SLEEVE, for above listed Roller Bearing	28-48	8.75 ea.
18-4634	PINION LOCKNUT, Passenger & Commercial	32-48	2.50 ea.
01Y-4636	PINION LOCKNUT WASHER, Passenger & Commercial	32-48	2.25 ea.
01Y-4637	WASHER, Drive Pinion Bearing Thrust	32-48	3.95 ea.

ORDERS ONLY 1-800-417-3347

UNIVERSAL JOINTS			
B-7090	UNIVERSAL JOINT, Passenger & Commercial	28-48	89.95 ea.
B-7084	UNIVERSAL JOINT REBUILD KIT, Cross Piece, Bushings, etc.	28-48	39.95 kit
FRAME WEBBING			
B5000-B1	FRAME WEBBING, (20' X 1/16")	28-48	17.50 ea.
B5000-B2	FRAME WEBBING, Body to frame Cushioning, 2" wide, 20 foot roll x 1/8"	32-48	19.00 ea.
B-5010-C	FRAME WEBBING, (2" x 1/16" x 25'), By Bob Drake	32-56	20.00 ea.
B-5000-AS	FRAME WEBBING, with Self Adhesive, (1 1/2" x 1/8")	32-56	22.50 ea.
B-5000-BS	FRAME WEBBING, with Self Adhesive, (2" X 1/8")	32-56	24.50 ea.
BODY TO FRAME PAD SETS			
48-5001	BODY TO FRAME RUBBER CUSHION PAD SET	35-36	70.00 set
78-5001	BODY TO FRAME RUBBER CUSHION PAD SET (except 40 conv.)	37-40	35.00 set
01A-5001	BODY TO FRAME RUBBER CUSHION PAD SET (Convertible)	1940	40.00 set
11A-5001	BODY TO FRAME RUBBER CUSHION PAD SET	1941	35.00 set
21A-5001	BODY TO FRAME RUBBER CUSHION PAD SET	42-48	35.00 set
BODY TO FRAME BOLT KITS			
78-5000-HK	BODY TO FRAME BOLT KITS, Closed Cars, 126 pieces	37-40	25.00 kit
51A-5000-HK	BODY TO FRAME BOLT KITS, All, 44 piece kit	41-48	20.00 kit
SPREADER BARS, 1932 FRONT & REAR FRAME			
B-5041-SS	FRONT SPREADER BAR, Stainless	1932	52.50 ea.
B-18575-SB	REAR FRAME SPREADER BAR, Stainless Steel	1932	80.00 ea.
LICENSE PLATE BRACKETS, FRONT			
B-5034-B	FRONT LICENSE BRACKET, Passenger & Commercial	1932	14.00 ea.
B-5034-SS	FRONT LICENSE BRACKET, Chrome, Passenger & Commercial	1932	25.00 ea.
40-5034-B	FRONT LICENSE BRACKET, Passenger & Commercial	33-36	20.00 ea.
40-5034-SS	FRONT LICENSE BRACKET, Stainless Steel	33-36	25.00 ea.
78-5034-B	FRONT LICENSE BRACKET, Black	37-39	14.00 ea.
78-5034-SS	FRONT LICENSE BRACKET, Stainless Steel	37-39	25.00 ea.
91A-5034-B	FRONT LICENSE BRACKET, Black	39-41	14.00 ea.
91A-5034-SS	FRONT LICENSE BRACKET, Stainless Steel	39-41	25.00 ea.
ENGINE REAR SUPPORT			
B-5089-B	ENGINE REAR SUPPORT	1932	49.95 ea.
40-5089-B	ENGINE REAR SUPPORT, Passenger & Commercial	33-34	39.95 ea.
48-5089	ENGINE REAR SUPPORT, Passenger & Commercial	35-36	39.95 ea.
21A-6068	ENGINE REAR SUPPORT, Passenger & Commercial	42-48	29.95 ea.
78-6038	ENGINE REAR SUPPORT, Passenger & Commercial, need 2	37-41	15.00 ea.

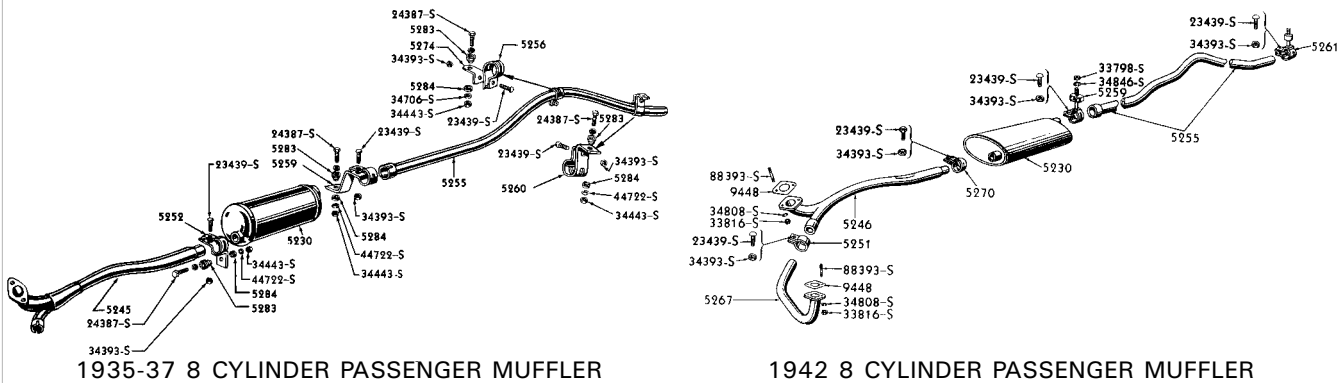
BATTERY

Quoted price is for "drop ship" from factory in Ohio. Batteries are warranted by manufacturer for one year and are shipped "dry". You buy the acid locally and activate the battery when ready to put it to use.

B-5151	BATTERY SUPPORT ASSEMBLY	1932	29.95 ea.
40-5151	BATTERY SUPPORT ASSEMBLY	33-34	30.95 ea.
91A-5154-A	BATTERY TRAY-CLOSED CARS, Deluxe	1939	68.00 ea.
91A-5154-B	BATTERY TRAY-OPEN CARS, Wagon, Deluxe	1939	68.00 ea.
01A-5151	BATTERY TRAY ASSY, 1940 Passenger & 40-41 Pickup	40-41	37.50 ea.
11A-10732-K	BATTERY TRAY KIT, Includes: Tray, Top & Hardware, By Drake	41-48	95.00 kit
91A-5165	BATTERY HOLD DOWN BRACKETS, Deluxe 1939	39-39	32.50 ea.
91A-5171	BATTERY HOLD DOWN SMALL BRACKET, Deluxe	39-39	15.00 ea.
01A-5171	BATTERY HOLD DOWN BRACKETS, Passenger 40-41 Pickups	40-40	7.50 ea.
01A-5185-B	HOLD DOWN BRACKET PADS	40-40	1.00 ea.
40-5165	BATTERY TOP HOLD DOWN FRAME, Except 39 Deluxe	33-53	10.95 ea.
11A-5175	BATTERY HOLD DOWN BOLT	41-48	2.75 ea.
48-5172	BATTERY HOLD DOWN BOLT, "Y" style	35-36	14.95 ea.
11A-5179	BATTERY TOP HOLD DOWN HARDWARE KIT, Passenger, also fits Pickup 48-52	41-56	3.95 kit
78-700740	BATTERY BOX ASSEMBLY, 37-39 Standard, 37-39 PICKUP	37-39	69.50 ea.

BATTERY CABLES . . . SEE PAGE 64

EXHAUST SYSTEM



CLAMP & BRACKETS

40-5200-S	CLAMP & BRACKET SET, Passenger & Pickup	33-34	39.95 set
48-5200-S	CLAMP & BRACKET SET, 6 piece, Passenger & Pickup	35-38	25.00 set
99A-5261-S	CLAMP & BRACKET SET	39-48	24.00 set
A-5251	CLAMP, to Manifold for 4 cylinder vehicles	28-34	7.30 ea.
18-5251	CLAMP, to Crossover/Exhaust, V8	32-41	3.95 ea.
48-5270	CLAMP, Muffler Inlet, many applications use two, Passenger 32-34 & 38-48, Pickup 32-34 & 38-47, Big Truck	32-47	3.95 ea.
99A-5259	CLAMP, TAIL PIPE, towards Front, with rubber pad, also fits Pickup 1939-41	39-40	10.00 ea.
99A-5261	CLAMP, TAIL PIPE, towards Rear, with rubber pad, also fits Pickup 1939-41	39-40	10.00 ea.
11A-5259	CLAMP, Front	39-46	8.95 ea.
59C-5267	HEADER PIPE TO MUFFLER CLAMP, Trucks	42-56	2.50 ea.
21C-5260	TAIL PIPE HANGER, Trucks	42-56	4.95 ea.

ORDERS ONLY 1-800-417-3347

HEADER PIPES			
EF-7104	HEADERS, Steel, Passenger & Pickup	32-34	175.00 ea.
EF-7105	HEADERS, Steel, 35-39 Standard	35-39	175.00 ea.
FRONT EXHAUST PIPE			
B-5245	EXHAUST PIPE, 4 cylinder	32-34	inquire ea.
18-5245	EXHAUST PIPE, V8	1932	N/A ea.
40-5245	EXHAUST PIPE, V8	33-34	39.95 ea.
48-5245	EXHAUST PIPE	35-36	41.95 ea.
81T-5245	EXHAUST PIPE, 1 Ton Truck	38-41	49.95 ea.
91A-5245	EXHAUST PIPE, 37-41 Passenger & Pickup	37-40	39.95 ea.
11A-5245	EXHAUST PIPE	1941	42.95 ea.
21A-5245	EXHAUST PIPE	42-48	39.00 ea.
CROSSOVER PIPE			
18-5267	CROSSOVER PIPE, V8	1932	22.95 ea.
40-5267	CROSSOVER PIPE, V8	33-34	24.95 ea.
48-5267	CROSSOVER PIPE	35-36	24.95 ea.
78-5267	CROSSOVER PIPE	37-41	24.95 ea.
79-5267	CROSSOVER PIPE, 1 Ton Truck	38-41	29.95 ea.
51A-5267	CROSSOVER PIPE, Passenger	42-48	24.95 ea.
59C-5267	CROSSOVER PIPE, F-1 thru F-6 Truck with 239 V8	42-53	24.95 ea.
MUFFLER			
48-5230-C	MUFFLER, "B" & V8	32-34	49.95 ea.
48-5230-B	MUFFLER	35-38	49.95 ea.
52-5230	MUFFLER, 60 horse	37-40	55.00 ea.
91A-5230	MUFFLER	39-40	49.95 ea.
99A-5230	MUFFLER	1941	N/A ea.
2GA-5230	MUFFLER	42-48	49.95 ea.
TAIL PIPE			
B-5255	TAIL PIPE, 2 piece, "B" & V8	1932	49.95 ea.
40-5255	TAIL PIPE, 2 piece	33-34	39.95 ea.
48-5255	TAIL PIPE, Passenger	35-38	39.95 ea.
91A-5255	TAIL PIPE, Passenger	39-40	39.95 ea.
11A-5255	TAIL PIPE	1941	N/A ea.
6A-5255	TAIL PIPE	42-48	38.95 ea.
EXHAUST DEFLECTORS			
51A-18258B	EXHAUST DEFLECTOR for Tail Pipe End, V8 insignia, Stainless Steel	32-48	14.95 ea.
51A-18258A	EXHAUST DEFLECTOR for Tail Pipe End, Ford insignia, Stainless Steel <i>(Above deflectors are Stainless Steel and lend a nice finishing touch.)</i>	32-48	14.95 ea.

32-48 Passenger Cars & 32-47 Pickup Trucks

Early Ford
U-8 Sales, Inc.

EXHAUST GASKETS			
18-9433-S	GASKET SET, Exhaust Manifold To Block Cross Over Pipe, Set of 8	32-53	5.50 set
1GA-9450	EXHAUST MANIFOLD TO INLET PIPE, 6 cylinder, (1) required.	48-66	1.50 ea.
SPRINGS			
FRONT SPRING SHACKLE KITS			
B-5304	FRONT SHACKLE SET, Metal Bushing Type, Passenger & Pickup	32-34	18.95 set
B-5304-R	FRONT SHACKLE SET, Old stock, Rubber Bushing Type	32-34	15.95 set
48-5304	FRONT SHACKLE SET, Metal Bushing Type, fits Pickup to 41	35-40	18.95 set
11A-5304	FRONT SHACKLE SET, Metal Bushing Type, for Passenger only	1941	18.95 set
21A-5304	FRONT SHACKLE SET, Metal Bushing Type, for Passenger only	42-48	24.95 set
21C-5304-S	FRONT SPRING SHACKLE KIT, does 1 spring, Pickup	42-47	29.95 kit
NEW SPRINGS			
40-5310	FRONT SPRING, Passenger & 1/2 Ton	32-34	119.95 ea.
21C-5310-B	FRONT LEAF SPRING ASSEMBLY, F-1 (8) Leaf Pickups	42-52	124.95 ea.
21C-5560	REAR SPRING, F-1 & 2 Pickup	42-52	149.95 ea.
SPRING LINERS & BOLTS			
TI-2640-BLK	SPRING LINERS, 1 3/4" Front Springs	28-34	12.00 ea.
TI-2642-BLK	SPRING LINERS, 2" Front Springs	35-48	14.00 ea.
TI-2644-BLK	SPRING LINERS, 2 1/4" Rear Springs	28-48	16.00 ea.
11A-5458	FRONT SPRING CLIP BAR	28-48	4.95 ea.
11A-5599	ANTI SQUEAK PAD, Front & Rear, between Spring & Cross member	32-48	2.25 ea.
A-1080	FRONT SPRING CENTER BOLT	32-48	1.85 ea.
B-5455-S	FRONT SPRING U-BOLT KIT	32-34	15.00 kit
B3C-5455	FRONT SPRING U-BOLTS, Pickup F-1, 2, (2) Per Spring	42-56	5.95 ea.
355521-S	REAR SPRING CENTER BOLT	32-48	1.85 ea.
B-5705-S	REAR SPRING U-BOLT SET	32-40	14.50 ea.
REAR SPRING SHACKLE SETS			
B-5630	REAR SHACKLE SET, Metal Bushing Type, for Passenger & 1/2 Ton Commercial	32-34	18.95 set
B-5630-R	REAR SHACKLE SET, Old stock Rubber Bushing Type	32-34	15.95 set
48-5630	REAR SHACKLE SET, Metal Bushing Type, also fits Pickup to 41	35-40	18.95 set
11A-5630	REAR SHACKLE SET, Metal Bushing Type	1941	18.95 set
21A-5630	REAR SHACKLE SET	42-48	24.95 set
21C-5630-S	REAR SHACKLE KIT, does one spring, Pickup	42-47	30.95 kit
21C-5701-C	REAR SPRING U-BOLT, F-1 Pickup	42-56	7.50 ea.
REAR AXLE BUMPERS FOR CARS AND COMMERCIAL			
B-5783	REAR AXLE BUMPERS, Passenger & Commercial	1932	8.95 ea.
40-5783	REAR AXLE BUMPERS, Passenger & Commercial	33-34	9.95 ea.
48-5783	REAR AXLE BUMPERS, Passenger & Commercial	35-38	6.75 ea.
91A-5783	REAR AXLE BUMPERS, Passenger & Commercial	39-40	6.75 ea.
11A-3020	REAR AXLE BUMPERS, Passenger & Commercial	41-48	5.00 ea.

ORDERS ONLY 1-800-417-3347

VISA • MASTERCARD • DISCOVER

MECHANICAL

Engine, Transmission, Clutch, Cooling System, Fuel System, Carburetor, Generator, Alternator, Starter, Temperature, Coil, Distributor, Battery Cables

ENGINE

REBUILT ENGINES

We have rebuilt engines available in stock. Engines include all machine work, new main rod bearings, cam bearings, new timing gear, new pistons & rings, new valves, guides, springs, keepers, adjustable lifters, rebuilt 80lb oil pump. Engines are complete with heads, intake manifold, oil pan and resurfaced flywheel. Call for Pricing and availability.

ENGINE ENAMEL

M-200-P	ENGINE ENAMEL, Ford Green, 1 pint can	28-41	9.50 ea.
M-200-QT	ENGINE ENAMEL, Ford Green, 1 quart can	28-40	12.00 ea.
M-200-S	ENGINE ENAMEL, Ford Green, spray can	28-41	4.95 ea.
M-200-BL	ENGINE ENAMEL, Ford Blue, spray can	42-48	4.75 ea.
M-200-GR-QT	FORD GREEN, Quart <i>Note . . . Trucks use green 1928-40 & blue 1941-48.</i>	28-41	31.00 ea.
M-200-BL-QT	ENGINE ENAMEL BLUE, QUART	42-48	31.00 ea.
M-203-S	HIGH TEMP EXHAUST PAINT, Black, 1800 degrees, spray can	32-64	15.00 ea.
M-204-S	HIGH TEMP EXHAUST PAINT, Cast Iron Gray, 1800 degrees, spray can	32-64	15.00 ea.
M-206-P	HIGH TEMP EXHAUST PAINT, Black, 1800 degrees, 1 pint can	32-64	25.00 ea.

ENGINE RELATED HARDWARE

48-6520-MBSS	INTAKE MANIFOLD MTG KIT, Stainless Steel	39-48	14.95 kit
78-12100-MB	DISTRIBUTOR MOUNTING HARDWARE, Stainless Steel	39-48	1.95 ea.
78-9000-MB	FUEL PUMP MOUNTING KIT, Stainless Steel	39-48	2.50 kit
78-6020-MB	TIMING COVER MOUNTING KIT, Stainless Steel	39-48	2.50 kit
78-6700-MB	OIL PAN MOUNTING HARDWARE, Stainless Steel	39-48	6.95 ea.
78-6000-MBSS	ENGINE HARDWARE KIT, Stainless Steel, All Except Studs & Nuts	39-46	29.95 kit

ENGINE GASKETS

MODEL B 4 CYL.

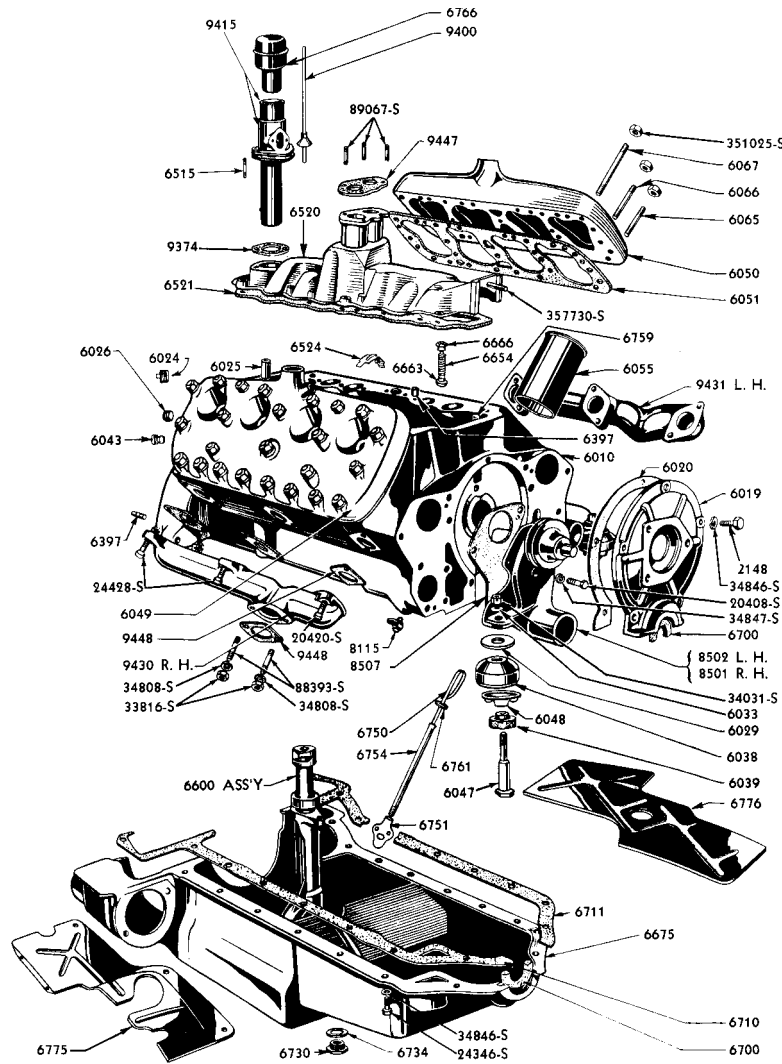
B-6008-C	ENGINE GASKET SET, With Copper Head Gasket, 4 cylinder	32-34	87.95 set
B-6008-K	ENGINE GASKET SET, With Korbestos Head Gasket, 4 cylinder	32-34	65.95 set
B-6051-C	CYLINDER HEAD GASKET, Copper, 4 cylinder	32-34	35.00 ea.
B-6051-K	CYLINDER HEAD GASKET, Korbestos, 4 cylinder	32-34	24.50 ea.

6 CYLINDER ENGINE

7HA-6008-K	ENGINE GASK SET, 226 CI 6 <i>In deciding what material gasket to buy, remember that if you have aluminum heads that you must use a composition (korbestos) type gasket because of chemical reactions between metals. When using cast iron heads any type gasket is safe to use.</i>	47-51	89.95 set
------------	--	-------	-----------

17 STUD V8 1937-1940

52-6008	ENGINE GASKET SET		115.00 set
---------	-------------------	--	------------



8 CYLINDER ENGINE - 90 AND 100 H.P.

21 STUD V8, 1932-37

18-6008-C	ENGINE GASKET SET, With Copper Head Gaskets	32-37	89.95 set
18-6008-S	ENGINE GASKET SET, With Steel Head Gaskets	32-37	79.95 set
18-6008-K	ENGINE GASKET SET, With Korbestos Head Gaskets	32-37	79.95 set
40-6051-C	CYLINDER HEAD GASKET, Copper	32-37	26.95 ea.
40-6051-K	CYLINDER HEAD GASKET, Korbestos	32-37	16.95 ea.
40-6051-AS	HEAD GASKET, Plain	32-37	10.00 ea.
X48-6008	ENGINE GASKET SET, Does Not Include Head Gaskets	32-48	50.00 set

24 STUD V8, 85 HORSEPOWER

91A-6008-C	ENGINE GASKET SET, With Copper Head Gaskets	38-42	89.95 set
91A-6008-K	ENGINE GASKET SET, With Korbestos Head Gaskets	38-42	79.95 set
91A-6051-C	CYLINDER HEAD GASKET, Copper	38-42	26.95 ea.
91A-6051-K	CYLINDER HEAD GASKET, Korbestos	38-42	17.95 ea.
91A-6051-S	CYL HEAD GASKET, Steel clad	38-42	17.95 ea.
X48-6008	ENGINE GASKET SET, Does not include Head Gaskets	32-48	50.00 set

ORDERS ONLY 1-800-417-3347

24 STUD V8, 95 HORSEPOWER			
99A-6008-C	ENGINE GASKET SET, With Copper Head Gaskets	39-48	89.95 set
99A-6008-K	ENGINE GASKET SET, With Korbestos Head Gaskets	39-48	79.95 set
59A-6051-C	CYLINDER HEAD GASKET, Copper	39-48	28.95 ea.
59A-6051-K	CYLINDER HEAD GASKET, Korbestos	39-48	17.95 ea.
59A-6051-BB	BIG BORE HEAD GASKET	39-48	34.95 ea.
X48-6008	ENGINE GASKET SET, Does Not Include Head Gaskets	32-48	50.00 set
MISCELLANEOUS GASKETS/INTAKE MANIFOLD			
18-6020	TIMING GEAR COVER GASKET	32-48	2.00 ea.
7HA-6521	VALVE COVER GASKET, 6 Cylinder	47-51	3.95 ea.
40-6521	INTAKE MANIFOLD GASKET	32-48	6.95 ea.
B-6700	FRONT SEAL, Oil Pan	28-53	3.00 ea.
91A-6347	REAR SEAL, Packing	39-48	2.00 ea.
OIL PAN GASKET SETS/OIL SEALS			
B-6781	OIL PAN GASKET SET, 4 cylinder	32-34	6.95 set
18-6781	OIL PAN GASKET SET, V8	32-34	12.95 set
48-6781	OIL PAN GASKET SET, V8 Except 60 HP	35-48	11.95 set
7HA-6781	OIL PAN GASKET SET, 226 CI 6 Cyl	47-51	14.95 set
A-6700-M	FRONT CRANK SEAL, Modern, replaces 2 piece Rope Seal in Front of Motor No Machining Required, 4 & 8 cyl	32-53	16.95 ea.
EXHAUST MANIFOLD GASKETS			
18-9433	EXHAUST MANIFOLD GASKET SET, 8 piece	32-53	5.50 set
FRONT AND REAR MOTOR MOUNT KITS			
B-6038	KIT by Carp, one each of above so you will need two kits for front, each kit.	32-36	15.00 kit
B-6038-D	KIT, by Drake, passenger & pickup	32-36	25.00 kit
B-6038-I	KIT, import, 2 each bolts, cups, washers, insulators to do front motor 1932-48 or to do rear motor, per kit.	37-41	15.00 kit
78-6038	KIT by Carp, one each of above so you will need two kits for front 1937-48 and two more for rear motor	37-41	15.00 kit
78-6038-D	KIT, by Drake. 37-48 front, 37-41 rear 48-51 pickup	37-51	25.00 kit
REAR ENGINE SUPPORT			
B-5089-B	REAR ENGINE SUPPORT, Passenger & Commercial	1932	49.95 ea.
40-5089-B	REAR ENGINE SUPPORT, Passenger & Commercial	33-34	39.95 ea.
48-5089	REAR ENGINE SUPPORT, Passenger & Commercial	35-36	39.95 ea.
21A-6068	REAR TRANSMISSION MOUNT, Passenger 42-48, Pickup F-1 42-52	42-52	29.95 ea.
CYLINDER SLEEVES			
78C-6055	CAST IRON SLEEVES, (3 1/16)	32-42	18.95 ea.
59A-6055	CAST IRON SLEEVES, (3 3/16)	39-53	22.95 ea.
99A-6055	THIN STEEL, (3 3/16), 95 HP	39-53	19.95 ea.

32-48 Passenger Cars & 32-47 Pickup Trucks

CYLINDER HEAD STUDS			
21 STUD V8			
40-6065	STUD (2.34"), Requires 10	32-48	1.00 ea.
40-6066	STUD (2.9"), Requires 10	32-48	1.30 ea.
40-6067	STUD (3.59"), Requires 22	32-37	1.20 ea.
24 STUD V8			
40-6065	STUD (2.34"), Requires 16	32-48	1.00 ea.
40-6066	STUD (2.9"), Requires 4	32-48	1.30 ea.
48-6067	STUD (3.09"), Requires 28	37-48	1.00 ea.
CYLINDER HEAD HARDWARE			
8BA-6065	HEAD STUD, (1.94"), 20 required	48-53	1.00 ea.
8BA-6066	HEAD STUD, (2.62"), 28 required	48-53	1.00 ea.
B-6064	CYLINDER HEAD NUT	28-48	.30 ea.
B-6064-HD	HEAD NUTS-HEAVY DUTY, Cad Plate, like originals, USA, will not strip out	28-48	.60 ea.
EF-48	STAINLESS STEEL HEAD WASHERS, Use with Aluminum Heads, Set of 48	32-53	12.50 set
351020-S	STEEL HEAD WASHERS	32-53	6.50 ea.
351242-S	INTAKE MANIFOLD WASHERS	32-53	3.00 ea.
CHROME HEAD & INTAKE NUT COVERS			
HR-6050-CO	CHROME HEAD NUT COVERS, Set of 50	32-53	29.95 set
HR-6520-CO	INTAKE NUT COVERS, Set of 20	32-53	15.00 set
PISTONS			
PISTON SETS, SPECIFY SIZE: STD., .020, .030, .040, .060, .080			
40-6108	PISTON SET (8), (3 1/16") bore, flat top, specify size	32-36	335.00 set
01T-6108	PISTON SET (8), (3 1/16") bore, dome top, 4 ring type, Standard - (.060)	36-42	335.00 set
8BA-6108	PISTON SET (8), bore, solid skirt, 4 ring type, not to be used with steel sleeves, specify size, std.thru (.125)	39-53	235.00 set
B-6108-STD	PISTON SET, With Pins, 4 Cylinder, specify size, std. thru (.100) oversize	28-34	98.50 set
EAC-6108	MERCURY PISTON, 4" Stroke, Standard through (.125) available	39-53	295.00 set
PISTON PINS & CLIPS			
49T-6135	PISTON PIN	39-48	2.00 ea.
01A-6135	PISTON PIN, Standard, above pistons come with pins	32-42	2.00 ea.
78-6140	PISTON PIN CLIP SET, 16 piece, above pistons have clips	32-53	3.50 set
PISTON RINGS			
01T-6149	RING SET, 4 Ring Pistons (3 1/16") bore, specify size	32-42	75.00 set
29A-6149	RING SET, Original Ford pistons marked 09T	38-48	69.95 set
8BA-6149	RING SET, for 8BA-6149 pistons, (3 3/16") bore, sizes as shown above plus (.125), for Ford & Mercury pistons	39-53	69.95 set
B-6149	PISTON RING SET, 4 Cylinder., specify size, std. thru (.125)	28-34	31.00 set

ORDERS ONLY 1-800-417-3347

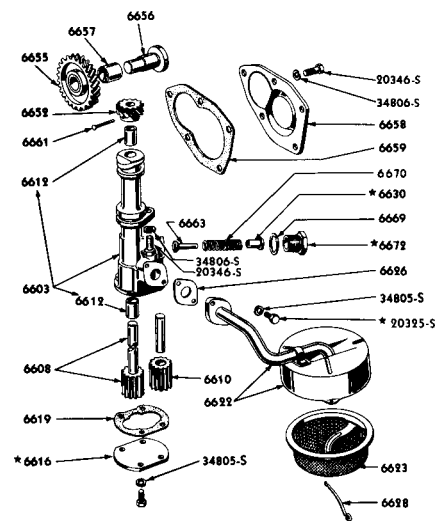
CONNECTING ROD AREA			
48-6200	CONNECTING ROD, Rebuilt, exchange only	34-40	39.95 ea.
21A-6200	CONNECTING ROD, Rebuilt, exchange only, thick shank	35-42	39.95 ea.
29A-6200	CONNECTING ROD, Rebuilt, exchange only, 95 HP	39-48	39.95 ea.
CONNECTING ROD BUSHINGS			
18-6207	CONNECTING ROD BUSHING	32-42	1.50 ea.
21A-6207-A	CONNECTING ROD BUSHING	42-48	1.50 ea.
CONNECTING ROD BEARINGS			
48-6211	ROD BEARINGS, With flange, for (1.998") crankshaft. Standard size (.002)*, (.010), (.020), (.030)	32-38	35.00 pr.
		32-38	59.95 pr.
81A-6211	ROD BEARINGS, Without flange, for (1.998") crankshaft. Standard size (.002), (.010), (.020), (.030), (.040)	39-42	29.95 pr.
		39-42	49.95 pr.
		39-42	49.95 pr.
99T-6211	ROD BEARINGS, Without flange, for (2.138") crankshaft & (3 3/16") bore block, per pair. Sizes as indicated, Standard - (.020), (.030) <i>* NOTE: YOU NEED 4 PAIR OF THE ABOVE PER ENGINE</i>		49.95 pr.
<p>8 CYLINDER ENGINE - 90 AND 100 H.P.</p>			
CAMSHAFT			
18-6254-A	CAM GEAR, Small, Round End of Cam Shaft	32-48	6.00 ea.
18-6254-B	CAM GEAR, Small, (3/8) flat on ID <i>ISKY - Performance Cams - See Flathead Performance Parts Page 123</i>	33-53	15.00 ea.

32-48 Passenger Cars & 32-47 Pickup Trucks

TIMING GEAR AREA			
21A-6019	TIMING COVER, two (2) screw NOS	45-48	29.95 ea.
18-6256	TIMING GEAR, 36 Teeth, Press On	32-34	35.95 ea.
48-6256	TIMING GEAR, 44 Teeth, Press On	35-38	44.95 ea.
52-6256	TIMING GEAR, 60 HP Engine	37-40	25.00 ea.
11A-6256	TIMING GEAR, 44 Teeth, Bolt On	39-48	39.95 ea.
91A-6258	TIMING GEAR LOCK RING, With Bolts	39-53	6.50 ea.
11A-6280	CAMSHAFT/DISTRIBUTOR ADAPTOR, Used to mount 32-41 distributor to 42-48 engine	32-41	12.95 ea.
91A-6258	TIMING GEAR LOCK RING, With Bolts	39-53	2.50 ea.
CAMSHAFT BEARINGS SETS			
01A-6260	CAMSHAFT BEARING SET, 3 piece Std.	32-53	33.95 ea.
01A-6260-OS	+010 & + 020 OS	32-53	41.95 ea.
CRANKSHAFT AREA			
18-6306	CRANKSHAFT TIMING GEAR, Steel	32-34	25.00 ea.
48-6306	CRANKSHAFT TIMING GEAR, Steel	35-48	23.95 ea.
B-6319	RATCHET NUT, for Engine Hand Crank	28-36	9.75 ea.
81A-6319	RATCHET NUT, for Engine Hand Crank	39-48	4.95 ea.
74-156-S	CRANK GEAR WOODRUFF KEY	28-37	1.00 ea.
74-153-S	CRANK GEAR WOODRUFF KEY	38-53	1.50 ea.
40-6310	OIL SLINGER, 85 HP	33-37	1.50 ea.
81A-6310	OIL SLINGER, 85/95 HP	38-53	1.50 ea.
MAIN BEARING SETS			
68-6330	CRANKSHAFT MAIN BEARING SET, for (2.40") shaft, 21 stud block Standard size Sizes (.010), (.020), (.030)	36-38	82.50 set 98.50 set
81A-6330	CRANKSHAFT MAIN BEARING SET, for (2.498") shaft, 24 stud block. Standard; (.010), (.020), (.030)	39-48	89.95 set
CRANKSHAFT SEALS			
78-6335	SEAL, Crankshaft Rear Main Upper, aluminum	36-38	12.95 ea.
91A-6335	SEAL, Crankshaft Rear Main Upper, aluminum	39-48	28.50 ea.
78-6336	SEAL, Crankshaft Rear Main Lower	36-38	9.95 ea.
19B-6336	SEAL, Crankshaft Rear Main Lower	39-48	35.00 ea.
FLYWHEEL RING GEAR			
B-6384	FLYWHEEL RING GEAR, 85/95 HP	32-48	19.95 ea.
VALVE AREA, 1932-1948 V8, EXCEPT 60 HP			
91A-6500-AS	ADJUSTABLE TAPPETS, Hollow		14.10 ea.
91A-6500-ADJ	VALVE LIFTER, Adjustable, Solid Type, USA Made,	32-53	14.95 ea.
A-6500-S	ADJ. LIFTER, 4 cylinder, single lock, Set of 8	28-34	75.95 set
B-6500-ADJ	ADJ. LIFTER, 4 cylinder, double lock, Set of 8	28-34	59.95 set
91A-6500-W	WRENCH, for installing above tappets		6.95 pr.

ORDERS ONLY 1-800-417-3347

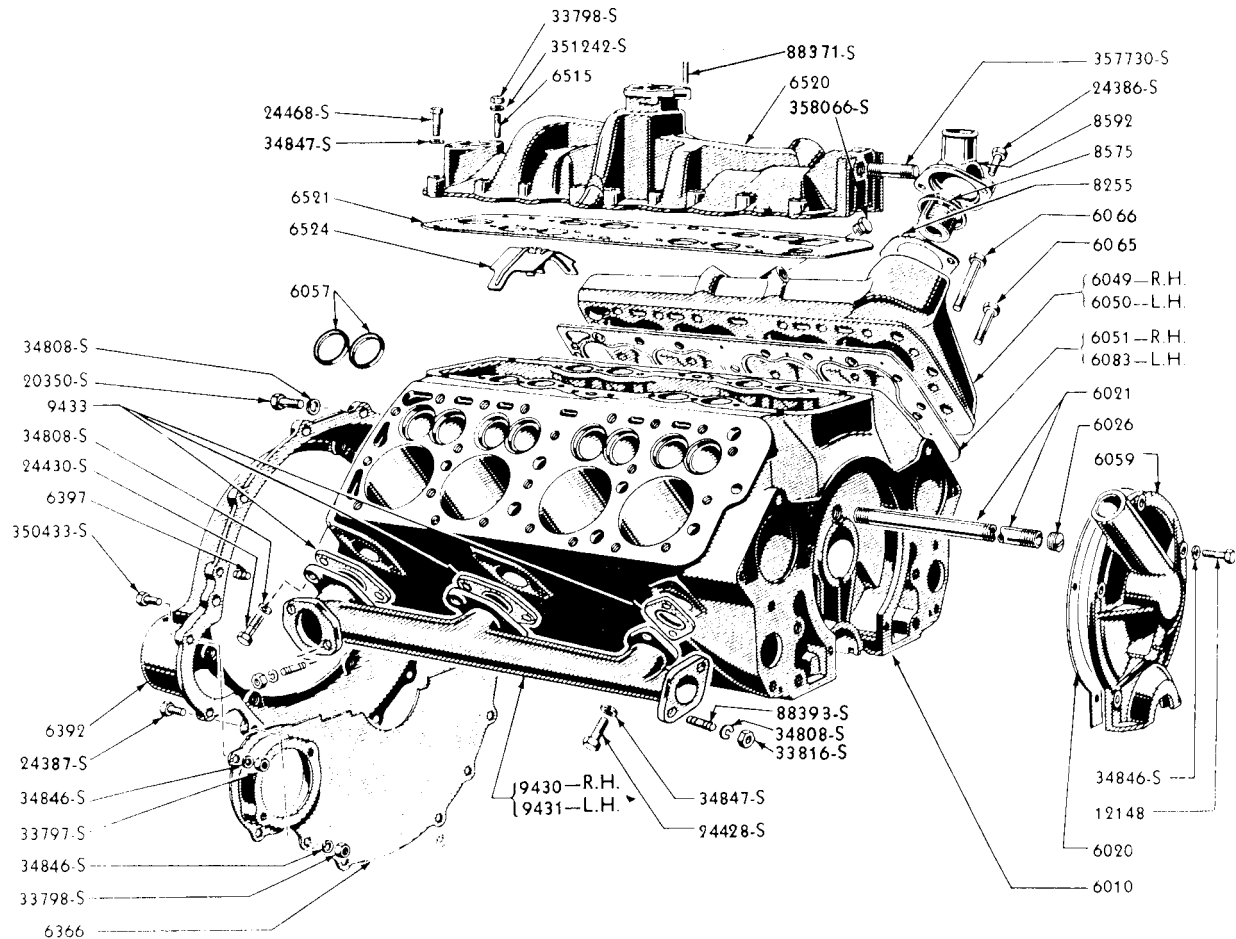
91A-6500	MECHANICAL TAPPETS, Hollow with Pin Holes	32-48	2.65 ea.
18-6500	MECHANICAL TAPPETS, Slotted sides	32-48	3.50 ea.
11T-6505	VALVE, Specially Hardened for Intake or Exhaust, use with 40-6510 Guide		9.95 ea.
8BA-6505	VALVE, Intake or Exhaust, Straight Stem, use with 8BA-6510 Guides	32-53	6.95 ea.
8BA-6510	VALVE GUIDE, Straight Stem Valve use with IIT Valve	32-53	4.50 ea.
8BA-6514	VALVE SPRING RETAINER, 8BA Valve	32-53	1.50 ea.
7HA-6518	VALVE LOCK KEY, 8BA Valves	32.53	.30 pr.
B-6505-S	VALVE GUIDE, 4 Cylinder, Straight Stem Valve, Stainless Steel, use with B-6510-S	28-34	8.95 ea.
B-6505/10-S	VALVE SET, One piece straight stem set includes: 8 valves, 8 guides, 8 spring & locks, 4 Cylinder	28.34	149.95 set
B-6510-S	VALVE GUIDE, One piece, for use with B-6505-S valve 4 Cylinder	28-34	8.95 ea.
40-6510	VALVE GUIDE, Split, 16 per set		6.00 ea.
40-6512	VALVE GUIDE RETAINER, Horseshoe, 16 per set		1.00 ea.
78-6513	VALVE SPRING, 16 per set		1.50 ea.
40-6514	VALVE SPRING RETAINER, for split guides, 16 per set		.75 ea.
OIL PUMP			
18-6600-RK	OIL PUMP REBUILD KIT, 50 pound pump, long body	32-42	34.95 kit
41A-6600-RK	OIL PUMP REBUILD KIT, 80 pound pump, long body	35-48	39.95 kit
8BA-6600-RK	OIL PUMP REBUILD KIT, 80 pound pump with short shaft	32-53	55.00 kit
B-6621	NEW OIL PUMP, 4 Cylinder Engine, complete assembly	28-34	75.00 ea.
8BA-6621	OIL PUMP, 80 lb, Short body - NEW, USA Made.	32-53	119.95 ea.
8BA-6621-R	OIL PUMP, 80LB, Rebuilt	32-53	85.00 ea.
8BA-6600-HV	OIL PUMP, High Volume	32-53	149.95 ea.
B-6600-RKT	OIL PUMP REBUILD KIT, 4 cylinder	28-32	22.95 kit
1GA-6600-RKT	OIL PUMP REBUILD KIT, 6 cylinder	41-47	14.95 kit
8RT-6615	PICKUP TUBE ASSEMBLY, 80 lb.short pump	33-53	19.95 ea.
68-6623	PICKUP TUBE SCREEN	33-53	17.95 ea.
8BA-6628	OIL PUMP SCREEN CLIP, holds screen to pickup tube	33-53	1.00 ea.
18-6655	IDLER GEAR WITH BUSHING, Oil pump drive, back of engine	32-48	18.95 ea.
18-6657	IDLER GEAR BUSHING	32-48	1.50 ea.
48-6524	OIL BAFFLE, 85/95 HP, inside intake manifold	35-48	3.50 ea.
18-6652	OIL PUMP GEAR, upper shaft end, 85-96 HP	32-48	3.95 ea.
B-6730	OIL PAN DRAIN PLUG	30-38	3.95 ea.
52-6730	OIL PAN DRAIN PLUG	39-48	6.50 ea.
B-6734	OIL PAN DRAIN PLUG GASKET	30-38	.70 ea.
52-6734	OIL PAN DRAIN PLUG GASKET	39-48	1.00 ea.
7HA-6731	OIL FILTER ELEMENT	35-48	6.95 ea.
48-6750	OIL DIPSTICK	35-48	6.95 ea.
48-6751	OIL DIP STICK BOSS	35-46	17.50 ea.
59A-6751	OIL DIP STICK BOSS	47-48	15.50 ea.
48-6754	OIL DIPSTICK TUBE	35-53	8.95 ea.
48-6766	OIL CAP, Scoop style, import	35-38	12.00 ea.
48-6766-A	OIL CAP, Round	35-48	12.00 ea.



OIL PUMP
(8 CYLINDER 239 "L" HEAD ENGINE)

49-56 ENGINE SECTION

Included for your convenience 1949-56 Engine Section for Custom Built Autos



CYLINDER BLOCK & RELATED PARTS (8 CYLINDER 239 ENGINE)
Group numbers only shown on illustration. Refer to group for complete Part Number.

ENGINE ENAMEL

M-200-BR-QT	FORD BRONZE	49-51	27.00 ea.
M-200-OR-QT	FORD ORANGE	52-52	31.00 ea.
<i>Note . . . Trucks use green 1928-40 & blue 1941-48.</i>			

ENGINE HARDWARE KIT

8BA-6000-MBSS	ENGINE HARDWARE KIT, Stainless Steel	49-56	34.95 kit
8BA-8592-MBSS	MOUNTING BOLTS, Water pump	49-56	1.95 ea.

ENGINE RELATED HARDWARE

8BA-6020-MB	TIMING COVER MOUNTING KIT, Stainless Steel	49-53	2.95 kit
8BA-6520-MBSS	INTAKE MANIFOLD KIT, Stainless Steel	49-53	9.95 kit
8BA-6700-MB	OIL PAN MOUNTING KIT, Stainless Steel	49-53	5.95 kit
8BA-8255-MB	WATER NECK MOUNTING KIT HARDWARE, Stainless Steel	49-53	2.95 kit

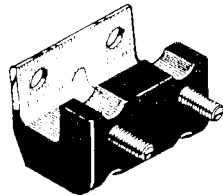
ORDERS ONLY 1-800-417-3347

ENGINE GASKETS			
6 CYLINDER ENGINE GASKETS			
7HA-6008-K	ENGINE GASK SET, 226 CI 6	47-51	69.95 set
EBP-6008-K	ENGINE GASKET SET, 215/223/262 <i>In deciding what material gasket to buy, remember that if you have aluminum heads that you must use a composition (korbestos) type gasket because of chemical reactions between metals. When using cast iron heads any type gasket is safe to use.</i>	52-64	69.95 set
1949-1953 ENGINE GASKETS			
8BA-6008-K	ENGINE GASKET SET, With Korbestos Head Gaskets	49-53	79.95 set
8BA-6008-C	ENGINE GASKET SET, With Copper Head Gaskets	49-53	89.95 set
X8BA-6008	ENGINE GASKET SET, Head Gaskets Not Included	49-53	44.95 set
7HA-6051-K	CYLINDER HEAD GASKET, 226 CI 6 cylinder	47-51	29.95 ea.
EAB-6051-K	CYLINDER HEAD GASKET, Korbestos, Right Hand	49-53	15.95 ea.
EAB-6083-K	CYLINDER HEAD GASKET, Korbestos, Left Hand	49-53	15.95 ea.
EAA-6051-K	CYLINDER HEAD GASKET, Composition, 215/233 CI, 6 cylinder	54-64	34.95 ea.
EAB-6083-C	HEAD GASKET COPPER, Left Side	49-53	26.95 ea.
EAB-6051-C	HEAD GASKET COPPER, Right Side	49-53	26.95 ea.
8BA-6051-BB	HEAD GASK BIG BORE, Right Side	49-53	36.95 ea.
8BA-6083-BB	HEAD GASKET, Big Bore, Left	49-53	36.95 ea.
239 OH VALVE V-8 54-55 ENGINE GASKETS			
EBU-6008	ENGINE GASKET SET, With Head Gasket	54-55	84.95 set
272/292/312 V-8, 55-64 ENGINE GASKETS			
B7AZ-6008	ENGINE GASKET SET, With Head Gasket, 272/292/312 V-8	55-64	89.95 set
B6A-6051-K	HEAD GASKET, 272/292/312 V-8	55-64	10.95 ea.
MISCELLANEOUS GASKETS			
7HA-6521	VALVE COVER GASKET, 6 Cylinder	47-51	3.95 ea.
8BA-6521	INTAKE MANIFOLD GASKET	49-53	6.95 ea.
B-6700	FRONT SEAL, Oil pan	28-53	3.00 ea.
EAA-6838-A	OIL FILTER MOUNTING GASKET, V-8 ENG	52-63	1.00 ea.
B4AZ-6020-S	FRONT TIMING COVER GASKET & SEAL KIT, All V-8	54-62	13.95 ea.
A-6700-M	FRONT CRANK SEAL, Modern, replaces 2 piece Rope Seal in Front of Motor No Machining Required, 4 & 8 cyl	32-53	16.95 ea.
OIL PAN GASKET SETS			
7HA-6781	OIL PAN GASKET SET, 226 CI 6 Cylinder	47-51	14.95 set
8BA-6781	OIL PAN GASKET SET, V8	49-53	11.50 set
COAZ-6710-A	OIL PAN GASKET SET, 215/223 CI 6 Cylinder	54-64	9.95 set
COAZ-6710-B	OIL PAN GASKET SET, All V-8	54-64	8.95 set
EXHAUST MANIFOLD GASKETS			
18-9433	EXHAUST MANIFOLD GASKET SET, 8 piece	32-53	4.50 set
ECK-9433	EXHAUST MANIFOLD GASKET SET, 272, 292, 312 V8	54-62	10.95 set
EBU-9433	INTAKE MANIFOLD GASKET SET, 239 V8	54-54	6.95 set

32-48 Passenger Cars & 32-47 Pickup Trucks

EPB-9433	EXHAUST/INTAKE MANIFOLD GASKET SET 215/223 CI, 6 CYL	52-64	9.95 set
B7AZ-9433	INTAKE MANIFOLD GASKET SET, 272, 292, 312 V8	55-62	10.95 set
C1SZ-9450	GASKET, 239, 272, 292, 312 V8	49-62	1.65 ea.
EBU-9450	GASKET, 239 V8 to X-over	54-54	.95 ea.
B5A-9450	GASKET, 272 V8 to X-over	55-56	1.00 ea.

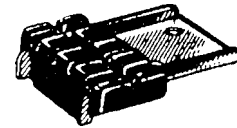
FRONT AND REAR MOTOR MOUNT KITS



B7A-6038-B
Front Motor Mount



8BA-6038
Front Motor Mount

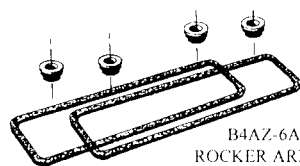


AD-6038
Rear Motor Mount

78-6038	FRONT MOTOR MOUNT, 6 & 8 cylinder Pickup	48-51	15.00 ea.
MA-6038	FRONT MOTOR MOUNTS, 6 & 8 cylinder, Passenger	49-53	14.95 ea.
B7A-6038-A	FRONT MOTOR MOUNT, 6 cylinder Passenger Cars	54-58	14.95 ea.
B7A-6038B	FRONT MTR MT, All V-8	54-58	15.95 ea.
2C-6047	FRONT MOTOR MOUNT BOLT, F1-F6 Truck	52-52	5.00 ea.
8L-6038-B	LARGE UPPER CUSHION, Pickup, need 2	52-52	8.95 ea.
8L-6039-B	SMALL LOWER CUSHION, Pickup, need 2	52-52	5.00 ea.
B5S-6038	RECTANGULAR MOUNT, Upper, F1 Pickup, 6 & 8 cylinder	53-56	18.95 ea.
TAAA-6039	LOWER MOTOR MOUNT, F1 Pickup, 6 & 8 cylinder	53-56	3.95 ea.

REAR ENGINE SUPPORT

21A-6068	REAR TRANSMISSION MOUNT, Passenger 42-48, Pickup F-1 42-52	42-52	29.95 ea.
8A-6068	ENGINE REAR TRANSMISSION SUPPORT, 6 & 8 cylinder	49-50	15.95 ea.
AD-6068	ENGINE REAR TRANSMISSION SUPPORT, 6 & 8 cylinder	51-56	15.95 ea.
TAAA-6068	REAR MOTOR MOUNT, Upper, Pickup, need 2, 6 & 8 cylinder	53-60	10.95 ea.
COTT-6A061	REAR MOTOR MOUNT, Lower, Pickup, 6 & 8 cylinder, need 2	53-60	5.95 ea.



B4AZ-6A506-A
ROCKER ARM COVER
GASKET SET



EAA-6268
TIMING CHAIN



SBA-6066
CYLINDER HEAD
BOLTS



1BA-6506
EXHAUST &
INTAKE VALVE



1BA-6513
VALVE SPRING



B8A-6250-C
CAMSHAFT ASSEMBLY



EAA-6384-A
FLYWHEEL RING GEAR

ORDERS ONLY 1-800-417-3347

CYLINDER SLEEVES			
99A-6055	THIN STEEL, 3 3/16, 95 HP	39-53	19.95 ea.
59A-6005	CAST IRON , 3 3/16	39-53	22.95 ea.
CYLINDER HEAD STUDS			
8BA-6065	HEAD STUD, (1.94"), 20 required	48-53	1.00 ea.
8BA-6066	HEAD STUD, (2.62"), 28 required	48-53	1.50 ea.
8BA-6066-R	HEAD STUD, (2.78"), Use with Aluminum Heads	49-53	1.30 ea.
EF-48	STAINLESS STEEL HEAD WASHERS, Use with Aluminum Heads, Set of 48	32-53	12.50 set
351020-S	STEEL HEAD WASHERS	32-53	6.50 ea.
351242-S	INTAKE MANIFOLD WASHERS	32-53	3.00 ea.
CHROME HEAD & INTAKE NUT COVERS			
HR-6050-CO	CHROME HEAD NUT COVERS, Set of 50	32-53	29.95 set
HR-6520-CO	INTAKE NUT COVERS, Set of 20	32-53	15.00 set
PISTONS			
PISTON SETS : SPECIFY SIZE: STD., .020, .030, .040, .060			
8BA-6108	PISTON SET (8), bore, solid skirt, 4 ring type, not to be used with steel sleeves, specify size std. thru (.125)	39-53	235.00 set
EAC-6108-S	PISTON SET - MERCURY (.255) V-8, 4" crank - std. thru (.125) specify size needed	49-53	295.95 set
ECB-6108-S	PISTON SET, 272 V-8	55-60	199.95 set
ECK-6108-S	PISTON SET, 292 V-8	55-64	189.95 set
B6A-6108-S	PISTON SET, 312 V-8	56-58	225.00 set
PISTON PINS & CLIPS			
78-6140	PISTON PIN CLIP SET, 16 piece, with clips	32-53	3.50 set
PISTON RINGS			
8BA-6149	RING SET, for 8BA-6149 pistons, (3 3/16") bore, sizes as shown above plus (.125), For Ford & Mercury pistons	39-53	69.95 set
EBU-6149-S	PISTON RINGS, 239 V-8 OH VALVE	54-55	49.95 ea.
ECB-6149-S	PISTON RINGS, 272 V-8	55-59	45.00 ea.
ECK-6149-S	PISTON RINGS, 292 V-8	55-64	45.00 ea.
B6A-6149-S	PISTON RINGS, 312 V-8	56-58	49.95 ea.
CONNECTING ROD			
OBA-6200	CONNECTING ROD, Rebuilt, Exchange only, with squirt hole, Ford & Mercury	49-53	29.95 ea.
EBU-6200	CONNECTING ROD, 239, 256 V-8	54-56	29.95 ea.
B5A-6200	CONNECTING ROD, 272/292 V-8	55-64	39.95 ea.
8BA-6200	CONNECTING ROD, Rebuilt, Exchange only	49-49	29.95 ea.
CONNECTING ROD BUSHINGS			
EAA-6207	CONNECTING ROD BUSHING, 215/223 6CYL, 292/312 V-8	52-64	2.50 ea.

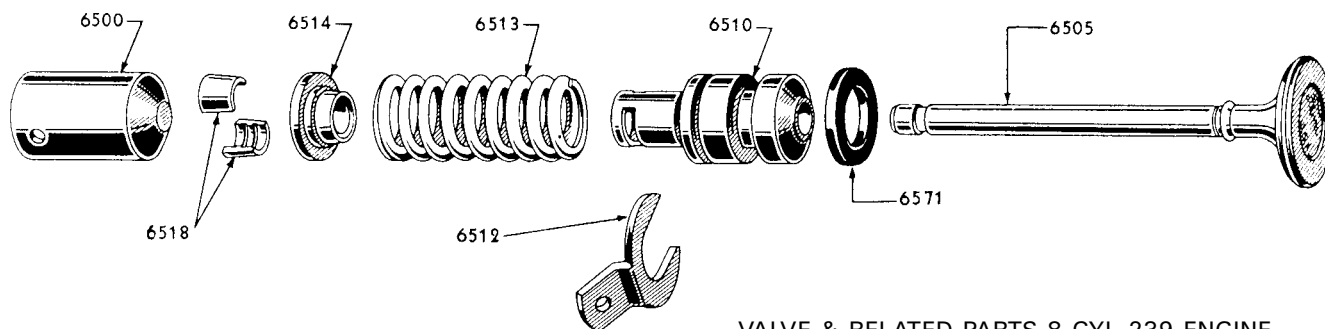
32-48 Passenger Cars & 32-47 Pickup Trucks

Early Ford
V-8 Sales, Inc.

CONNECTING ROD BEARINGS			
0BA-6211	CONNECTING ROD BEARING, Standard - (.040), NEED 8	48-53	19.95 ea.
B5T-6211	CONNECTING ROD BEARING, 272/292/312, specify size, Standard, 010, 020, 030	54-64	8.95 ea.
CAMSHAFT			
B8A-6250-C	CAMSHAFT, 272/292/312 V-8	54-64	99.50 ea.
18-6254-B	CAM GEAR, Small, (3/8) flat on ID	33-53	6.00 ea.
TIMING GEAR AREA			
8BA-6256D	TIMING GEAR, available in aluminum or fibre, please specify	49-53	41.95 ea.
91A-6258	TIMING GEAR LOCK RING, With Bolts	39-53	2.50 ea.
CAMSHAFT & CRANKSHAFT TIMING GEARS			
FOR 52-64 215/223 6 CYL & 272/292/312 V-8 ENGINES			
EAA-6256	CAMSHAFT SPROCKET	52-64	15.95 ea.
EAA-6268	TIMING CHAIN	52-64	19.95 ea.
B8A-6306-B	CRANKSHAFT SPROCKET	52-64	9.95 ea.
EAA-6269	CAM THRUST WASHER	52-64	5.95 ea.
91A-6258	TIMING GEAR LOCK RING, With bolts	39-53	2.50 ea.
B8A-6306-B-SET	TIMING SET, Includes: EAA-6286 chain, EAA-6256 camshaft sprockets, B8A-6306B crankshaft sprocket, 272/292/312 V-8	54-62	43.95 set
CAMSHAFT BEARINGS SETS			
01A-6260	CAMSHAFT BEARING SET, 3 piece, Specify Standard, (.010) or (.020)	32-53	33.95 set
01A-6260-OS	+010 & +020 OS	32-53	41.95 set
C3TZ-6251-B	CAM BEARINGS, 272/292/312 V-8	54-60	29.95 set
CRANKSHAFT AREA			
74-153-S	CRANK GEAR WOODRUFF KEY	38-53	1.00 ea.
81A-6310	OIL SLINGER, 85/95 HP	38-53	1.50 ea.
CRANKSHAFT MAIN BEARING SET			
1BA-6330-S	CRANKSHAFT MAIN BEARING SET, 239 V8 Standard - (.060)	49-53	98.50 set
EBV-6330-S	CRANKSHAFT MAIN BEARING SET, Standard-030, 272/292 V-8	52-64	98.50 set
B6A-6330-S	CRANKSHAFT MAIN BEARING SET, Standard-030 312 V-8	56-58	159.95 set
CRANKSHAFT SEALS			
8BA-6335	SEAL, Crankshaft Rear main, upper, aluminum	49-53	31.95 ea.
C1AZ-6A321-C	REAR CRANK OIL SEAL SET, 272/292/312 V-8	54-64	9.95 ea.
FLYWHEEL RING GEAR			
8BA-6384	FLYWHEEL RING GEAR, 239 V8	49-53	29.95 ea.
EAA-6384	FLYWHEEL RING GEAR, All	52-64	24.95 ea.
B4A-6346	RUBBER SEAL, Starter to Flywheel Housing	54-59	7.95 ea.

ORDERS ONLY 1-800-417-3347

VISA • MASTERCARD • DISCOVER



VALVE & RELATED PARTS 8 CYL 239 ENGINE
Group numbers only shown on illustration.
Refer to group for complete Part Number.

VALVE AREA 1949-53 V8

91A-6500-ADJ	ADJUSTABLE LIFTER, USA Made, Best available	32-53	10.95 ea.
91A-6500-AS	ADJUSTABLE TAPPETS, Hollow type	49-53	14.00 ea.
91A-6500-W	WRENCH for installing above		6.95 ea.
8BA-6505	VALVE, Intake and Exhaust	49-50	6.95 ea.
1BA-6505	VALVE, Intake and Exhaust	51-53	9.95 ea.
8BA-6510	VALVE GUIDE, Solid type		4.50 ea.
40-6512	VALVE GUIDE RETAINER, 16 per set		.50 ea.
78-6513	VALVE SPRING, use with 8BA-6505 valve, 16 per set		1.50
1BA-6513	VALVE SPRING, use with 1BA-6505 valve, 16 per set		2.00
8BA-6514	VALVE SPRING RETAINER, use with 8BA-6505, 16 per set		1.50
7HA-6518	VALVE LOCK KEY, Upper top of stem		.30 pr.
8BA-6571	VALVE GUIDE "O" RING SEALS, Set of 8,	49-53	1.50 set
EF-185-G	VALVE SPRING, Isky high performance Set of 16		79.95 set

VALVE AREA, 54-64 OH VALVE ENGINES

EAA-6500	VALVE TAPPETS, All	52-64	11.95 ea.
B6A-6505-A	VALVE, 239, 272, 292, 312 V-8	52-62	7.50 ea.

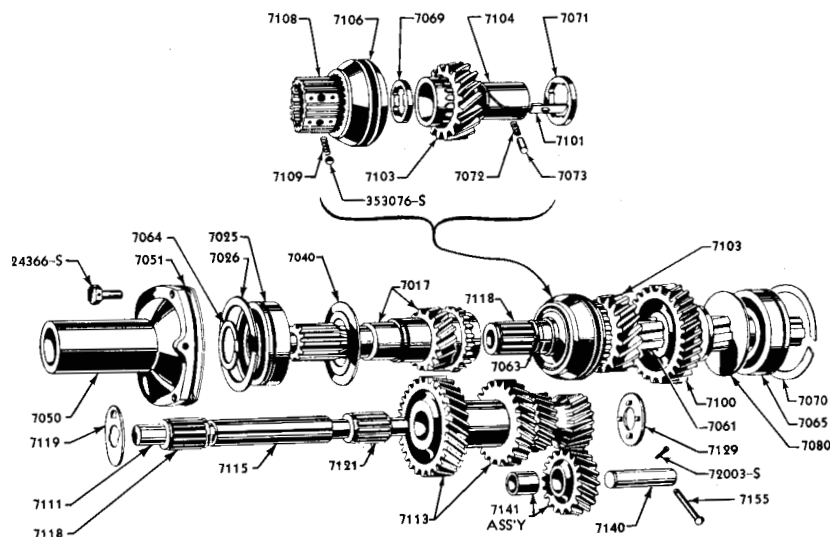
INTAKE & EXHAUST

B4AZ-6A506	VALVE COVER GASKET SET, All	52-64	9.95 set
B6A-6513	VALVE SPRINGS, All	52-64	1.50 ea.
COAE-6521-A	PUSH ROD COVER GASKET, With grommet, 292 V-8 engine	54-64	9.95 ea.
B4AZ-6563-XPR	ROCKER ARM ASSEMBLY, All V-8	54-64	159.95 ea.
B4AZ-6563-A	ROCKER ARM SHAFT, All V-8	54-64	18.95 ea.
C0AZ-6564	ROCKER ARM & SCREW, V-8	54-64	8.95 ea.
EBU-6565	ROCKER ARM PUSH ROD, 239 V8	54-55	3.00 ea.
COAE-6565-D	ROCKER ARM PUSH ROD, All V8	56-64	3.00 ea.
COAE-6507-5	INTAKE VALVE, 272/312 V8	55-56	7.95 ea.
B6A-6505	EXHAUST VALVE, 239/272/292/312	54-62	6.50 ea.
B9A-6570	ROCKER ARM COVER GROMMET	54-64	2.00 ea.

32-48 Passenger Cars & 32-47 Pickup Trucks

OIL PUMP			
8BA-6600-RK	OIL PUMP REBUILD KIT, 80 pound pump with short shaft	32-53	55.00 kit
8BA-6621	OIL PUMP, 80 lb, short body - New, USA Made.	32-53	119.95 ea.
8BA-6621-R	OIL PUMP, 80LB, rebuilt	32-53	85.00 ea.
8BA-6600-HV	OIL PUMP, High Volume	32-53	149.95 ea.
COAE-6600-D	OIL PUMP, Hex Drive, All V-8	55-60	69.96 ea.
COAE-6600D	OIL PUMP, NEW-272/292/312 V-8	55-62	59.95 ea.
COAE-6600-RKT	OIL PUMP REPAIR KIT, 272/292/312 V8	55-62	19.95 kit
8RT-6615	PICKUP TUBE ASSEMBLY, 80 lb. short pump	33-53	19.95 ea.
B9A-6618-A	OIL PUMP INTERMEDIATE SHAFT, 272/292/312 V8	55-62	7.95 ea.
68-6623	PICKUP TUBE SCREEN	33-53	15.00 ea.
8BA-6628	OIL PUMP SCREEN CLIP, Holds screen to pickup tube	33-53	1.00 ea.
7HT-6698	OIL PAN CLEAN OUT PLATE GASKET	49-56	1.75 ea.
8HA-6730	OIL PAN DRAIN PLUG	49-56	2.50 ea.
8HA-6734	OIL PAN DRAIN PLUG GASKET	49-56	.70 ea.
48-6754	OIL DIPSTICK TUBE	35-53	8.50 ea.
8BA-6716-AB	OIL FILTER INPUT & OUTPUT LINES, Pickup	48-52	25.00 ea.
8BA-6716-ABSS	OIL FILTER INPUT & OUTPUT LINES, Stainless Steel, Pickup	48-52	35.00 ea.
8BA-6750	OIL DIPSTICK, 8BA Engine	49-53	16.50 ea.
8BA-6766	OIL CAP	49-53	10.00 ea.
B5A-6766-R	OIL CAP, 6 & V-8	52-66	20.00 ea.
C2SZ-6766	OIL CAP, Chrome, 6/8 CYL	52-66	12.95 ea.
END OF 1949-56 ENGINE SECTION			
TRANSMISSION			
Rebuilt Transmissions Available call for Information			
GEAR SHIFT BOOT			
99A-7242-T	SHIFT LEVER BOOT, Taupe	32-47	25.00 ea.
99A-7242-B	SHIFT LEVER BOOT, Black	32-47	25.00 ea.
MAIN DRIVE GEAR (INPUT SHAFT)			
48-7017	MAIN DRIVE GEAR, 16 teeth	32-39	98.00 ea.
67-7017	MAIN DRIVE GEAR, 14 teeth, Commercial	36-40	75.00 ea.
74-7017	MAIN DRIVE GEAR, V-8, 60 HP	37-39	95.00 ea.
81A-7017	MAIN DRIVE GEAR, 16 teeth, also fits 40-52 Commercial	38-48	98.95 ea.
022A-7017	MAIN DRIVE GEAR, 15 teeth, also fits 40-52 Commercial	38-48	98.95 ea.
11Y-7017	MAIN DRIVE GEAR, 14 teeth, Commercial/Truck	1941	75.00 ea.

ORDERS ONLY 1-800-417-3347



1936 - 8 CYLINDER 90 HP PASSENGER TRANSMISSION

TRANSMISSION MAIN DRIVE GEAR BEARINGS

51A-7025	BEARING, With snap ring	32-54	15.95 ea.
51A-7025-FM	BEARING, With snap ring, Federal-Mogul	32-54	29.95 ea.
51A-7065	BEARING, With snap ring	32-54	15.95 ea.
51A-7065-FM	BEARING, With snap ring, Federal-Mogul	32-54	32.95 ea.
B-7064	SNAP RING WASHER	32-52	2.50 ea.

TRANSMISSION OIL SEALS

78-7050	RETAINER HOUSING, for 78-7052 SEAL	32-48	28.95 ea.
78-7052	SEAL, Oil Main Drive	32-48	3.50 ea.
21C-7052	SEAL, Transmission Tail Shaft, 42-63 Pickup	42-63	3.95 ea.

TRANSMISSION MAIN SHAFT

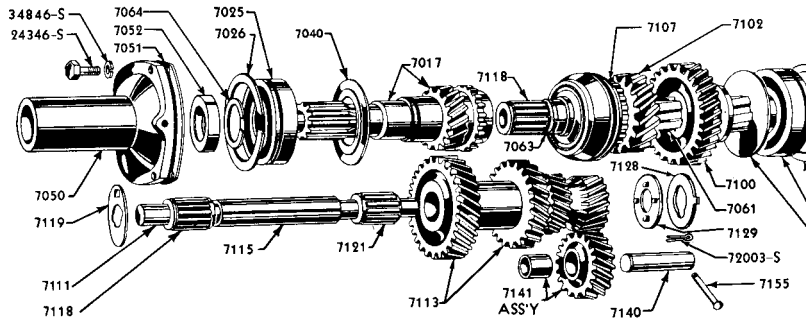
68-7061-A	MAINSHAFT, 6 helical, 6 straight	1936	75.00 ea.
68-7061-B	MAINSHAFT, 16 helical, 6 straight	36-38	85.00 ea.
81A-7061	MAINSHAFT, 16 helical with pin hole	38-48	125.00 ea.
51A-7061	MAINSHAFT, 16 helical no lockpin	38-48	85.00 ea.

TRANSMISSION MAIN SHAFT, COMMERCIAL AND PICKUP

59C-7061	MAINSHAFT, Commercial	42-50	95.00 ea.
21C-7061-A	MAINSHAFT, Commercial	42-47	95.00 ea.
21C-7061-B	MAINSHAFT, Commercial	1942	75.00 ea.
11Y-7061	MAINSHAFT, Commercial	41-47	95.00 ea.

UNIVERSAL JOINT CROSS & BEARING KITS

B-7084	U-JOINT KIT, Passenger & Commercial	32-48	38.95 ea.
B-7090	UNIVERSAL JOINT, 32-48 Passenger, 32-47 Pickup	32-48	89.95 ea.



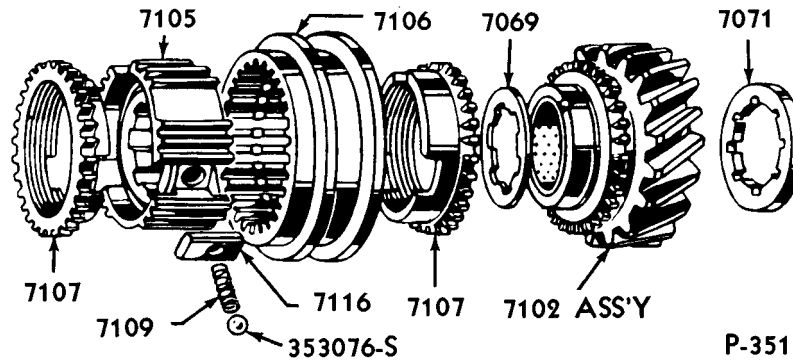
1938-39 - 90 HP PASSENGER &
1938-41 - 90 HP COMMERCIAL TRANSMISSION

LOW & REVERSE SLIDING GEAR

B-7100	LOW/REVERSE SLIDER, 29T-6ST splines, (1.28125) thru Hub	32-35	75.00 ea.
67-7100	LOW/REVERSE SLIDER, 29T-6ST, (1.2800), Commercial	36-40	59.00 ea.
68-7100-A	LOW/REVERSE SLIDER, 29 helical, 6 helical splines	36-36	75.00 ea.
01A-7100	LOW/REVERSE SLIDER GEAR, 29 helical, 15 helical splines, 40-50 Pickup	36-50	95.00 ea.

INTERMEDIATE, SECOND GEAR

B-7103	SECOND GEAR, Not bushed	32-39	75.00 ea.
81A-7102	SECOND GEAR, Bushed, 40-50 Pickup	38-50	95.00 ea.



SYNCHRONIZER (01A-7124-A)

SYNCHRONIZER

B-7106	SYNCRO SLEEVE, (1.40) wide	32-34	37.50 ea.
B-7108	HUB & BRASS RINGS	32-39	95.00 ea.
48-7106	SYNCRO SLEEVE, (1.34) wide	35-39	37.50 ea.
81A-7124	SYNCHRONIZER ASSEMBLY, (3.378 OD)	38-39	69.95 ea.
81A-7106	OUTER SYNCHRONIZER SLEEVE	38-39	29.95 ea.
81A-7105	INNER HUB, Ball & spring type	38-48	28.50 ea.
81A-7107	BRASS BLOCK RING	38-60	5.95 ea.
81A-7109-S	BALL & SPRING, for Synchronizer	39-48	10.95 ea.
01A-7106	OUTER SLEEVE	40-60	28.95 ea.
51A-7109-S	CLIP & SPRING SET	40-60	10.95 set
8M-7124	SYNCHRONIZER ASSEMBLY, Complete, also fits 48-52 Pickups	40-52	99.95 ea.

ORDERS ONLY 1-800-417-3347

COUNTERSHAFT (INSIDE CLUSTER GEAR)			
B-7111	COUNTERSHAFT, 40-50 Pickups	32-48	12.95 ea.
B-7115	COUNTERSHAFT SPACER	32-50	5.00 ea.
CLUSTER GEARS			
BB-7113	CLUSTER GEAR, 4 Speed, Big Truck 43-36-27-17	29-47	250.00 ea.
B-7113	CLUSTER GEAR, V8 & 4	32-34	95.00 ea.
48-7113	CLUSTER GEAR, 28/24H, 18/15S	32-35	250.00 ea.
68-7113	CLUSTER GEAR	36-48	285.00 ea.
67-7113	CLUSTER GEAR, 29/24H, 17/15S, Commercial	36-47	75.00 ea.
022A-7113	CLUSTER GEAR, 29/24 18/14 <i>Other Cluster Gears & Packages available. Please inquire.</i>	40-48	250.00 ea.
NEEDLE & ROLLER BEARINGS			
B-7118	BEARING, Short, need 2	32-48	5.95 ea.
B-7121	BEARING, Long, need 1	32-48	5.95 ea.
REVERSE IDLER GEAR & SHAFT			
B-7141	REVERSE IDLER GEAR, 18 spur teeth	32-39	48.00 ea.
68-7141	REVERSE IDLER GEAR, 18 helical teeth	36-50	69.95 ea.
B-7140	IDLER GEAR SHAFT	32-60	5.95 ea.
GASKET SETS			
B-7153	TRANS GASKET SET, Passenger & Commercial	32-50	8.95 set
CLUSTER GEAR WASHERS			
B-7119	FRONT CLUSTER GEAR WASHER	32-48	3.95 ea.
B-7129	REAR CLUSTER WASHER, 48 & 67 Cluster	32-39	3.00 ea.
68-7129-A	REAR, With 4 prongs	36-39	3.00 ea.
68-7129-B	REAR, 68 & 022 Cluster, Thick	36-48	9.95 ea.
8M-7129	REAR, With 51A Cluster	40-53	6.95 ea.
A0A-7130	CLUSTER WASHER SET, 3 pieces	48-53	10.00 set
81A-7071	CLUSTER GEAR WASHER, Rear thrustwasher, rear intermediate gear	38-48	5.95 ea.
GEAR SHIFT PARTS			
01A-7221	GEAR SHIFT LEVER PIN, 2 per car	40-48	5.75 ea.
01A-7227	GEAR SHIFT TUBE SPRING	40-48	1.00 ea.
01A-7246-B	GEAR SHIFT LEVER RUBBER INSULATOR	40-48	4.75 ea.
01A-7288	LINKAGE TO TRANS HOUSING SEALS, need 2 per car	40-51	3.50 ea.
01A-7354-RK	SHIFT LINKAGE REPAIR KIT	40-51	13.50 kit
CLUTCH RELEASE SHAFT			
B-7510	CLUTCH RELEASE SHAFT	32-39	22.95 ea.
01A-7510	CLUTCH RELEASE SHAFT	40-48	38.95 ea.
352581-S	PIN FOR CLUTCH RELEASE SHAFT ARM	32-48	.50 ea.

CLUTCH PEDAL TO RELEASE ROD & CLEVIS

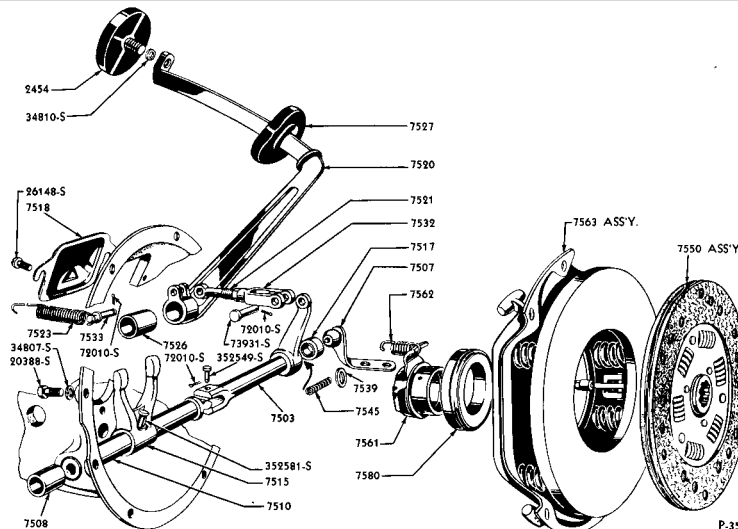
B-7521-A	CLUTCH PEDAL TO RELEASE ROD, Passenger & Commercial, (7/16x20x3 9/16")	32-34	10.00 ea.
40-7521	CLUTCH PEDAL TO RELEASE ROD, V8 60HP 37-39, 40-48 Passenger	37-48	10.00 ea.
48-7521	CLUTCH PEDAL TO RELEASE ROD, (7/16x20x4")	35-39	7.95 ea.
B-7532	CLEVIS, For clutch pedal to release rod	32-48	10.00 ea.

GEAR SHIFT KNOBS

B-7213	GEAR SHIFT KNOB, Black	28-36	3.75 ea.
78-7213	GEAR SHIFT KNOB	37-38	11.50 ea.
91A-7213	GEAR SHIFT KNOB	1939	10.00 ea.
91C-7213	GEAR SHIFT KNOB, Commercial	37-47	10.00 ea.
01A-7213-A	GEAR SHIFT KNOB, Standard	1940	7.00 ea.
01A-7213-B	GEAR SHIFT KNOB, Deluxe	1940	7.00 ea.
91C-7213	GEAR SHIFT KNOB, Pickup, floor shift <i>Other shift knobs available, please inquire.</i>	39-52	10.00 ea.

SHIFT LINKAGE REPAIR KIT

01A-7354-RK	SHIFT LINKAGE REPAIR KIT, Column shift only	40-51	13.50 kit
01A-7288	SHIFT COVER OIL SEAL	40-48	3.00 ea.



1940-48 PASSENGER CLUTCH Basic numbers only shown on illustration.
Order by Part Numbers shown in list of parts

CLUTCH SECTION

B-7508	BUSHING, Pedal shaft, (1") long, also fits 1939	28-34	2.00 ea.
40-7508	BUSHING, Clutch release shaft, (1 3/8") long	35-38	2.00 ea.
51A-7508	BUSHING, Clutch release shaft, thick wall style	40-48	5.95 ea.
01A-7517	SPLIT BUSHING, Clutch release equalizer	40-64	1.50 ea.
B-7526	BUSHING, Clutch & brake pedal, (1.78")	32-34	2.50 ea.
48-7526	BUSHING, Clutch & brake pedal, (1.8")	35-38	2.10 ea.
91A-7526	BUSHING, Clutch/brake, (1.92"), Passenger & Commercial	39-39	6.95 ea.
91A-7526-K	CLUTCH PEDAL BUSHING KIT, Includes 91B-7526 & B-7508, Pass/Comm	39-39	9.95 kit
01A-7526	BUSHING, Clutch & brake pedal, (.68")	40-48	2.00 ea.

ORDERS ONLY 1-800-417-3347

PEDAL RETURN SPRINGS			
48-7523	CLUTCH PEDAL RETURN SPRING, Passenger & Commercial	35-36	2.50 ea.
78-7523	CLUTCH PEDAL RETURN SPRING, Passenger, Commercial, also fits 33-34	37-38	2.00 ea.
91A-7523	CLUTCH PEDAL RETURN SPRING, Passenger, Commercial	39-39	2.50 ea.
01A-7523	CLUTCH PEDAL RETURN SPRING, Passenger, Commercial	40-41	2.50 ea.
11A-7523	CLUTCH PEDAL RETURN SPRING, Passenger	41-48	2.25 ea.
B-7506	CLUTCH PEDAL SHAFT		24.95 ea.
B-7523	CLUTCH SPRING		3.00 ea.
01A-7539	CLUTCH RELEASE SHAFT WASHER, Passenger, Commercial 40-47	40-48	.95 ea.
01A-7545	CLUTCH RELEASE SHAFT SPRING, Passenger, Commercial 40-47	40-48	1.95 ea.
CLUTCH DISC			
91A-7550	CLUTCH DISC, Brand NEW, USA, spring center, molded lining, 9" diameter, no exchange required	28-42	39.95 ea.
29A-7550	CLUTCH DISC, NEW, spring center, molded lining, 10" diameter. Pickup 41-64, Passenger 41-48. <i>Exchange item. Refundable core charge is \$7.00.</i>	41-56	39.95 ea.
81T-7550	CLUTCH DISC, NEW, 11" diameter, Truck 4 speed, 1/2 -2 Ton <i>Exchange item. Refundable core charge is \$7.00.</i>	39-68	46.95 ea.
8BA-7550	CLUTCH DISC, NEW, 9 1/2" diameter	49-56	39.95 ea.
CLUTCH PRESSURE PLATE			
REBUILT, CORE CHARGE APPLIES			
	<i>* Exchange item. Refundable core charge is \$25.00 if trade in unit is not sent with order, or is not rebuildable.</i>		
BB-7563	* CLUTCH PRESSURE PLATE, 9" Rebuilt, exchange, core chg 25.00	28-34	89.00 ea.
09A-7563	* CLUTCH PRESSURE PLATE, 9" Rebuilt, exchange, core chg 25.00	35-40	65.00 ea.
09A-7563-N	CLUTCH PRESSURE PLATE	35-40	99.95 ea.
19A-7563	* CLUTCH PRESSURE PLATE, 10" Rebuilt, exchange, also fits 48-64 Pickup	41-48	69.95 ea.
51-7563	CLUTCH PRESSURE PLATE, 11", Truck	35-68	79.95 ea.
350433-S	BOLTS, Clutch pressure plate mounting, Set of six	35-57	4.95 set
NEW, NO CORE REQUIRED			
09A-7563-N	CLUTCH PRESSURE PLATE, New, 9"	35-41	99.95 ea.
19A-7563-N	CLUTCH PRESSURE PLATE, New, 10"	42-56	99.95 ea.
1A-7563-N	CLUTCH PRESSURE PLATE, New, 9 1/2"	49-56	109.95 ea.
CLUTCH MISCELLANEOUS			
48-7561	CLUTCH RELEASE BEARING HUB	35-48	13.95 ea.
B-7562	THROWOUT BEARING SPRING	32-34	1.00 ea.
48-7562	THROWOUT BEARING SPRING	35-52	1.00 ea.
78-7580	THROWOUT BEARING	28-64	23.95 ea.
B-7600	PILOT BEARING	28-75	5.00 ea.

32-48 Passenger Cars & 32-47 Pickup Trucks

Early Ford
U-8 Sales, Inc.

COOLING SYSTEM

RADIATOR DRAIN COCK

B-8115-RE	RADIATOR DRAIN COCK	28-48	6.50 ea.
8A-8115	RADIATOR DRAIN COCK	42-59	4.95 ea.

RADIATOR CAP

B-8100	RADIATOR CAP	1932	20.00 ea.
18-8100	RADIATOR CAP	1933	20.00 ea.
40-8100	RADIATOR CAP	1934	15.00 ea.
40-8100-B	RADIATOR CAP, By Drake	1934	30.00 ea.
46-8100-B	RADIATOR CAP, Pickup	34-36	30.00 ea.
46-8100-AR	RADIATOR CAP, Pickup	1933	25.00 ea.
48-8100	RADIATOR CAP	35-36	10.00 ea.
77-8100	RADIATOR CAP, Pickup	1937	45.95 ea.
78-8100-A	RADIATOR CAP, Non-pressure	37-48	10.00 ea.
78-8100-B	RADIATOR CAP, 4 lb. pressure	37-48	15.00 ea.
B-8100-RK	RADIATOR CAP REPAIR KIT, Pickup 33-36; Passenger 32-34	32-36	7.50 kit

GREYHOUND ORNAMENT & CAP

B-18390	GREYHOUND RADIATOR CAP	1932	80.00 ea.
40-18390-A	GREYHOUND RADIATOR CAP	1933	80.00 ea.
40-18390-B	GREYHOUND RADIATOR CAP	1934	80.00 ea.
46-18390	GREYHOUND RADIATOR CAP, Pickup	34-36	80.00 ea.
48-18390	GREYHOUND RADIATOR CAP	1935	80.00 ea.
68-18390	GREYHOUND RADIATOR CAP	1936	85.00 ea.

RADIATOR AREA

91A-8046	RADIATOR TO FENDER BRACKET	39-41	29.00 ea.
B-8130-SS	RADIATOR MOUNTING KIT, Stainless Steel	28-48	12.50 kit
B-8130-S	RADIATOR INSTALLATION KIT, Bolts, nuts, springs, pads, & cotter pins	28-48	4.95 kit
B-8133	RADIATOR TO FIREWALL SUPPORT RODS	32-36	12.00 pr.
B-8133-SS	RADIATOR TO FIREWALL SUPPORT RODS, Stainless Steel	32-36	24.95 ea.
40-5283-4-2	RADIATOR ROD BUSHING KIT	35-36	6.00 kit
B-8140/41-SS	FIREWALL BRACKETS, Stainless Steel	28-32	10.00 pr.
40-8140/41-SS	FIREWALL BRACKETS, for Radiator to Firewall rods	33-38	20.00 pr.
B-14567-CS	RADIATOR SHELL GROMMETS	1932	2.25 ea.
40-16628-C	RADIATOR TO GRILLE BRACKETS	34-34	27.50 ea.

RADIATOR SHELL EMBLEM

B-8212	Ford RADIATOR SHELL EMBLEM, Porcelain, Passenger; also fits 32-36 Pickup	1932	30.00 ea.
B-8212-AR	Ford PORCELAIN EMBLEM, Grille, Passenger	1933	25.00 ea.
18-8212	Ford RADIATOR SHELL EMBLEM, Porcelain, Passenger	1933	30.00 ea.
40-8212	Ford RADIATOR SHELL EMBLEM, Porcelain, Passenger	1934	30.00 ea.
40-8212-AR	Ford EMBLEM, Porcelain	1933	35.00 ea.
48-8212	Ford RADIATOR SHELL EMBLEM, Porcelain, Passenger	35-36	30.00 ea.

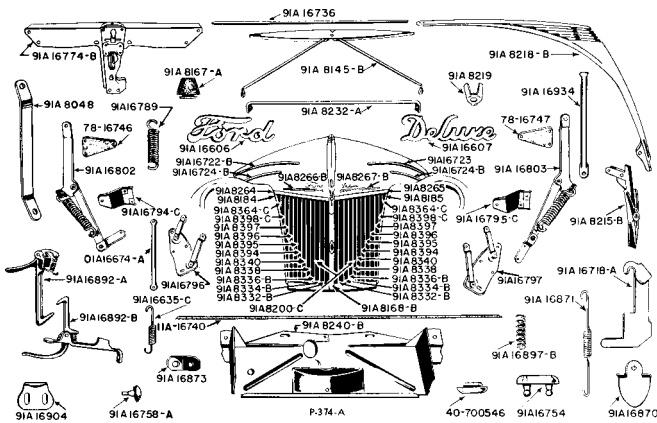
ORDERS ONLY 1-800-417-3347

VISA • MASTERCARD • DISCOVER

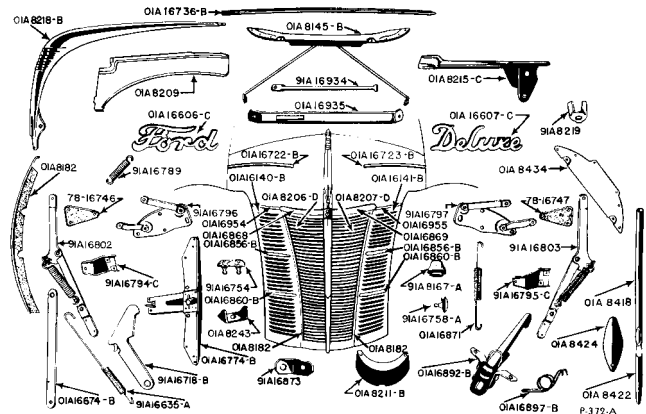
GRILLE AREA			
91A-8104/5	OUTER GRILLE PLATES, 39-40 Deluxe, 40 Standard, 40-1 Pickup	39-41	45.00 pr.
01A-8145-A	UPPER GRILL BRACE, Standard	1940	89.00 ea.
01A-8145-B	UPPER GRILL BRACE, Deluxe	1940	85.00 ea.
01A-8188-A	LOWER GRILL PAN, Standard	1940	80.00 ea.
01A-8211-B	LOWER GRILL PAN, Deluxe	1940	45.00 ea.
40-8240	RADIATOR GRILLE PAN, Stock	33-34	50.00 ea.
40-8240-S	RADIATOR GRILLE PAN, Smooth, no holes	33-34	50.00 ea.
91A-8240-B	RADIATOR GRILL PAN	39-41	78.00 ea.
01A-8434	LOWER GRILL PLATE, Deluxe	1940	25.00 ea.
68-16554	RADIATOR TO CROSS MEMBER SHIELD, Passenger Cars	36-36	55.00 ea.
GRILL CENTER STRIPS			
68-8157	GRILL CENTER STRIP, Stainless Steel	1936	29.50 ea.
78-8157	GRILL CENTER STRIP, Stainless Steel	1937	29.50 ea.
91A-8168-B	GRILL CENTER STRIP, Deluxe	1939	120.00 ea.
91A-8157-A	GRILL CENTER STRIP, Standard	1939	350.00 ea.
01A-8418/22	GRILL CENTER STRIP, Deluxe	1940	75.00 ea.
GRILL MISCELLANEOUS			
51A-8170-HK	UPPER GRILLE MOLDING HARDWARE KIT, Passenger Car	46-48	10.00 ea.
51A-8170/1-K	GRILL PANEL ORNAMENTS, 3 piece, Chrome plated, by Drake	46-46	250.00 kit
6A-8170/1-K	GRILL PANEL ORNAMENTS, 3 piece, Chrome plated, by Drake	47-48	250.00 kit
51A-8332-S	STAINLESS STEEL GRILL BARS, 3 piece	1946	139.95 kit
6A-8332-S	STAINLESS STEEL GRILL BARS, 3 piece	47-48	139.95 kit
32 FORD GRILL INSERTS & SHELL			
B-8200-OS	GRILL INSERT, Stainless Steel with crank hole, USA	1932	350.00 ea.
B-8200-SR	GRILL INSERT, Stainless Steel, Street rod Style, No Crank Hole, USA	1932	325.00 ea.
B-8211	CRANK HOLE BEZEL, Stainless Steel	32-32	18.00 ea.
B-8200-HRS	RADIATOR GRILLE SHELL, Smooth, Hot Rod Style	32-32	265.00 ea.
OUTER GRILL TRIM MOLDINGS			
18-8234	RAD SHELL, Stainless Steel TRIM	32-32	35.00 ea.
40-8234	OUTER GRILL TRIM, Stainless Steel	1934	69.95 ea.
40-8234-C	GRILL MOLDING TRIM CLIP	1934	6.50 ea.
48-8234	GRILL TRIM SET, Stainless Steel, complete with all mounting hardware	1935	105.00 ea.
68-8184/5	OUTER GRILL TRIM MOLDINGS, Stainless Steel	1936	85.00 ea.
78-8184/5	OUTER GRILLE TRIM MOLDING, Stainless Steel	1937	65.00
78-8200-GTS	GRILL TRIM SET, Stainless Steel Center Strip, 2 outer strips, Top Horizontal Strip & 2 Corner Caps, Passenger Cars	37-37	149.95 set
21C-8200-P	GRILLE BARS, Plain, Pickup	42-47	129.95 ea.
21C-8200-C	GRILLE BARS, Chrome, Pickup	42-47	199.95 ea.
68-16000	FRONT FENDER TO HORN PANEL, Stainless Bead, 4 Pieces	36-36	35.00 kit
01A-8182	GRILL TO FENDER STAINLESS BEAD, Deluxe	1940	12.50 ea.

32-48 Passenger Cars & 32-47 Pickup Trucks

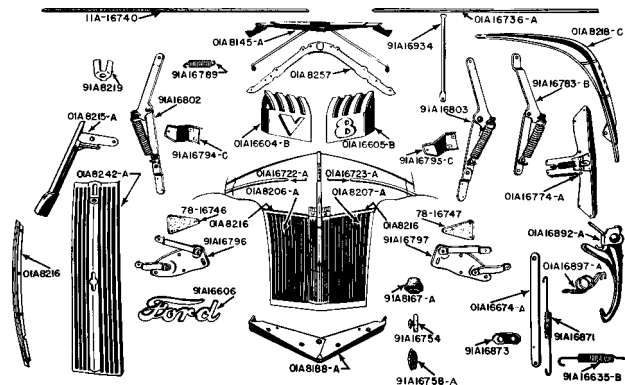
GRILL ASSEMBLY



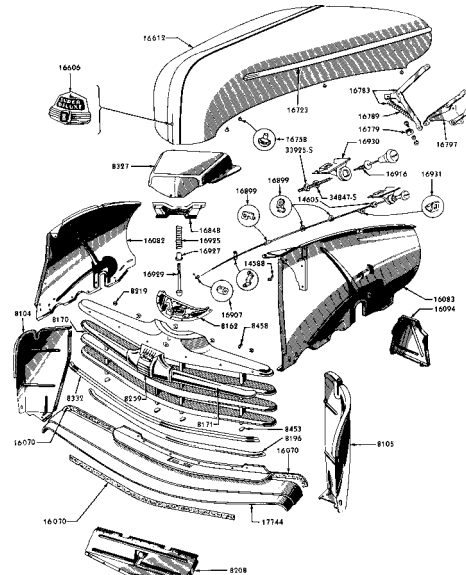
1939 DELUXE RADIATOR GRILL, HOOD, ETC



1940 DELUXE RADIATOR GRILL, HOOD, ETC



1940 STANDARD RADIATOR GRILL, HOOD, ETC



1947-48 RADIATOR GRILLE, HOOD, ETC.
Basic numbers only shown on illustration.
Order by Part Numbers shown in list of parts.

GRILL ASSEMBLY

40-8200	GRILL ASSEMBLY, Show Quality, by Drake	1934 2,450.00 ea.
68-8200	GRILL ASSEMBLY, Plain Steel, foreign made	1936 335.00 ea.
78-8200	GRILL ASSEMBLY, Plain Steel, foreign made	1937 335.00 ea.
91A-8200	GRILL ASSEMBLY, Plain Steel, foreign made, Deluxe	1939 275.00 ea.

GRILLS MADE IN USA BY BOB DRAKE.

01A-8206/7-AK	STANDARD THREE PIECE GRILL ASSEMBLY, Chrome center, unpainted sides 40/40 Passenger & Pickup, 1941 Pickup	40-41 599.00 ea.
01A-8206/7-ACK	STANDARD THREE PIECE GRILLE, All Chrome 40 Passenger, 40, 41 Pickup, all Chrome	40-41 675.00 ea.
01A-8206/7-D	DELUXE GRILL ASSEMBLY, 3 piece	1940 595.00 ea.
01A-8182	GRILL AREA BEAD SET, for Deluxe	1940 12.50 set

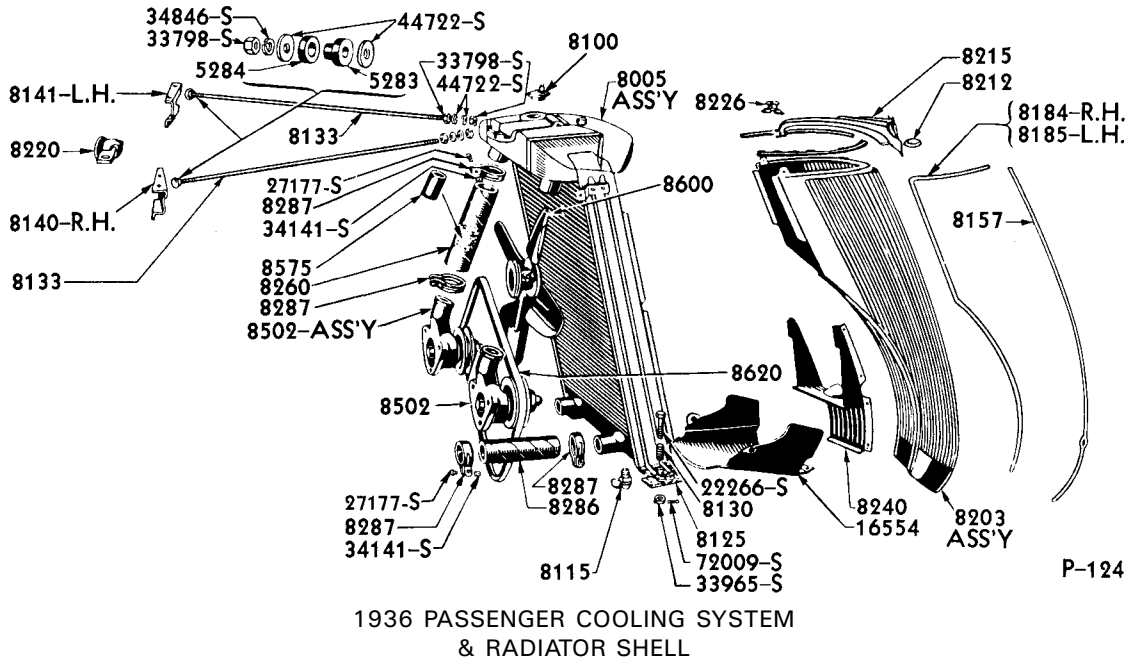
ORDERS ONLY 1-800-417-3347

GRILL ORNAMENTS & HARDWARE			
01A-8418/22	GRILL CENTER STRIP	1940	55.00 ea.
01A-8206-DHK	GRILL HARDWARE KIT, Deluxe	1940	6.00 kit
01A-8206-AHK	GRILL HARDWARE KIT, Standard	1940	10.00 kit
01A-8418/22-HK	GRILL CENTER STRIP HARDWARE, Deluxe	1940	3.95 ea.
01A-8242-HK	GRILL HARDWARE KIT CENTER, Standard	1940	4.50 kit
51A-8427-B	GRILL BUMPERS	46-48	3.00 ea.
GRILL ORNAMENTS			
B-8215	ORNAMENT, around radiator cap	1932	40.00 ea.
B-8215-BN	RADIATOR SHELL ORNAMENT, Bull Nose	32-32	40.00 ea.
40-8215	ORNAMENT, around Ford Emblem	1934	30.00 ea.
46-8215	ORNAMENT, around Ford Emblem, Pickup	34-45	30.00 ea.
48-8215	ORNAMENT	1935	100.00 ea.
67-8215	ORNAMENT, Pickup	1936	100.00 ea.
68-8215	ORNAMENT	1936	100.00 ea.
68-8215-BN	GRILL SHELL ORNAMENT, Passenger Cars, Bull Nose	36-36	85.00 ea.
77-8215	GRILL SHELL ORNAMENT, Pickup	1937	69.95 ea.
78-8215	HOOD ORNAMENT/HOOD PULL	37-37	70.00 ea.
HOODS			
18-16611	HOOD, Steel, complete, 20 louvers	32-32	375.00 ea.
18-16611-A	HOOD, Steel, complete, 20 louvers USA Made	32-32	375.00 ea.
18-16611-B	HOOD, Steel, complete, 25 louvers USA Made	32-32	375.00 ea.
18-16611-25	HOOD, Steel, complete, 25 louvers	32-32	375.00 ea.
40-16611	HOOD, Steel, complete, Passenger Cars	34-34	685.00 ea.
46-16611	HOOD, All Steel, Pickup, stock	34-34	465.00 ea.
46-1661-A	HOOD, Stock with 32 center hinge, Pickup	33-33	409.95 ea.
HOOD ORNAMENTS & HANDLES			
78-8218	HOOD ORNAMENT BASE, Passenger	37-37	35.00 ea.
78-8215	HOOD HANDLE, USA Made	37-37	60.00 ea.
01A-8215-A	HOOD RELEASE HANDLE, Standard	40-41	22.50 ea.
01A-8215-AD	HOOD RELEASE HANDLE, Standard, by Drake	40-40	45.00 ea.
01A-8215-C	HOOD RELEASE HANDLE, Deluxe	1940	22.00 ea.
01C-8215	HOOD RELEASE HANDLE, Pickup	40-40	22.50 ea.
01C-8215-D	HOOD HANDLE	40-40	40.00 ea.
11C-8215	HOOD RELEASE HANDLE, Pickup <i>Above Handles are made by Vintique</i>	41-41	35.00 ea.
91A-8215-B	HOOD RELEASE HANDLE, Pickup, Deluxe	39-39	40.00 ea.
01A-8215-A	HOOD RELEASE HANDLE, Pickup, Standard	40-40	35.00 ea.
01A-8215-C	HOOD RELEASE HANDLE, Pickup, Deluxe	40-40	40.00 ea.
01C-8215	HOOD HANDLE, Pickup	40-40	35.00 ea.
11C-8215	HOOD HANDLE, Pickup <i>Above Handles are Top Quality Made By "Bob Drake"</i>	41-41	35.00 ea.

32-48 Passenger Cars & 32-47 Pickup Trucks

91A-8218/15-B	HOOD ORNAMENT, Deluxe	1939	165.00 ea.
01A-8218/15-A	HOOD ORNAMENT, Standard Passenger	1940	130.00 ea.
01A-8218/15-B	HOOD ORNAMENT, Deluxe Passenger	1940	130.00 ea.
01C-8218/15	HOOD ORNAMENT, Pickup <i>Above Door Ornaments Top Quality, Made By Bob Drake</i>	1940	140.00 ea.
01A-8215/18-A	HOOD ORN & HANDLE, Standard	40-40	120.00 ea.
01A-8215/18-B	HOOD ORN & HANDLE, Deluxe	40-40	120.00 ea.
01C-8215/18	HOOD ORN & HANDLE, Pickup <i>Above Handles USA Made By "Vintique"</i>	40-40	120.00 ea.
91A-2466	HOOD RELEASE HANDLE PIN	39-41	2.45 ea.
91A-8219	HOOD ORNAMENT HARDWARE	39-40	12.00 ea.
6A-16607	HOOD ORNAMENT, Blue Plastic Insert, with clip, By Drake	47-48	25.00 ea.
6A-16851	HOOD ORNAMENT, By Drake	47-48	140.00 ea.
6A-16851-K	HOOD ORNAMENT, with Plastic Insert, USA Made by Bob Drake	47-48	160.00 ea.
GRILL EMBLEMS			
18-13122	HEADLIGHT BAR V8 EMBLEM	1932	22.50 ea.
40-8217-A	V8 GRILL, 1933 Passenger & 1933-34 Pickup	1933	28.95 ea.
40-8221	V8 GRILL, by Drake	1934	30.00 ea.
78-8217-A	GRILL EMBLEM, V8	1937	30.00 ea.
11A-8218-B	HOOD EMBLEM	1941	40.00 ea.
81C-8213	GRILL EMBLEM, Pickup & Commercial	1938	75.00 ea.
HOOD CENTER HINGE BRACKET			
B-8220	BRACKET, Chrome, 1932 Front; 1933-34 Rear		8.00 ea.
40-8220	BRACKET, Chrome, 1933-35 Front; 1935-36 Rear		9.00 ea.
46-8220	BRACKET, Pickup, Front	33-34	7.95 ea.
46-8220-A	BRACKET, Pickup, Front & Rear	35-37	8.00 ea.
46-8221	HOOD CENTER HINGE BRACKET, Rear, Pickup	33-34	7.95 ea.
B-8221	BRACKET, Chrome, Rear	1932	10.00 ea.
68-8226	BRACKET, Cadmium, Front	1936	6.00 ea.
HOOD TRIM			
91A-8266-PR	CAT WHISKER SET	1939	47.50 ea.
01A-8216	LOWER FRONT HOOD TRIM, Standard & Pickup	1940	65.00 ea.
91A-8264/5	LOWER FRONT HOOD TRIM, 1939 Deluxe	1939	160.00 ea.
11C-8264/5	LOWER FRONT HOOD TRIM, Pickup	41-41	165.00 ea.
01A-16856-K	GRILL MOLDINGS, Stainless Steel, 4 piece set	1940	55.00 set
01A-16868/9	LOWER FRONT HOOD TRIM, Deluxe	1940	70.00 ea.
01A-16954/5	FRONT HOOD TRIM, Deluxe	1940	50.00 ea.
HOOD LATCH SPRINGS			
91A-8223	HOOD LATCH SPRINGS, Deluxe	1939	12.00 ea.
01A-8223-A	HOOD LATCH SPRINGS, 1940 Standard/1940-41 Pickup	40-41	12.00 ea.
01A-8223-B	HOOD LATCH SPRINGS, 1940 Deluxe Passenger	1940	12.00 ea.

ORDERS ONLY 1-800-417-3347



P-124

RADIATOR HOSES

46-8260/86S	HOSE & CLAMP SET, 3 hoses, 6 clamps	Model B	20.00 set
40-8260/86-NS	HOSE & CLAMP SET, 4 hoses, 8 clamps V8	32-36	30.95 set
78-8260	UPPER HOSE, 1937-38 & 1939 Standard	* 37-39	30.00 pr.
91A-8260	UPPER HOSE, 1939 Deluxe, 1940-41	* 39-41	30.00 pr.
21A-8260	UPPER HOSE, 1942-48	* 42-48	30.00 pr.
78-8286	LOWER HOSE, 1928-38, 1939 Standard, 1942-48	32-48	14.50 pr.
91A-8286	LOWER HOSE, Curved Style 1939 Deluxe & 1940-41	* 39-41	18.00 pr.
<i>Note: Upper & Lower Radiator Hoses are also available with Ford Part Numbers. Upper hoses are \$ 45.00 per pair; 91A-8286 available at \$30.00 per pair. Please specify when ordering.</i>			
B-8261-A12	HOSE CLAMP, Original slotted type,	28-48	1.00 ea.

LOWER WATER INLET GASKET

40-8280	LOWER WATER INLET CONNECTION GAS	33-36	2.00 ea.
---------	----------------------------------	-------	----------

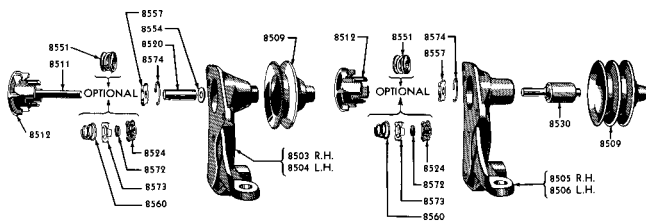
OVERFLOW TANKS

B-8005-W015	15" Stainless Steel OVERFLOW TANK	32-56	55.00 ea.
B-8005-W017	17" Stainless Steel OVERFLOW TANK	32-56	55.00 ea.
B-8005-W019	19" Stainless Steel OVERFLOW TANK	32-56	55.00 ea.
B-8005-W013	13" Stainless Steel OVERFLOW TANK	32-56	55.00 ea.

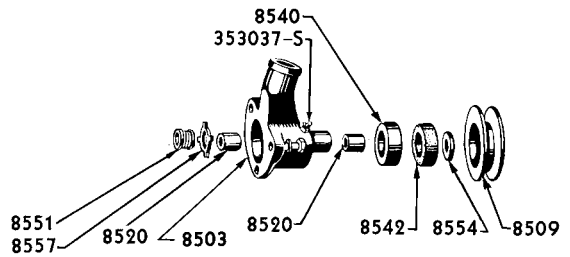
UPPER RADIATOR AIR DEFLECTOR PANELS & SEALS

21A-8327-K	UPPER RADIATOR SHROUD SEAL	42-48	4.75 ea.
51A-8327	UPPER RADIATOR PANEL	46-48	50.00 ea.

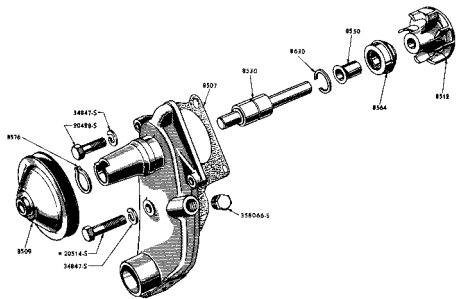
WATER PUMP AREA



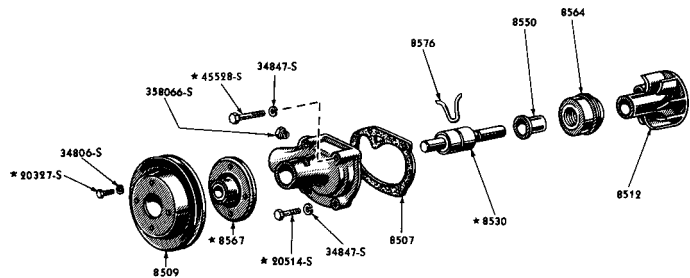
1937-48 8 CYLINDER 90 & 100 HP PASSENGER, COMMERCIAL & TRUCK WATER PUMP (78-8501-2) & 1937-41 8 CYLINDER 90 & 100



1932-35 - 8 CYLINDER WATER PUMP



WATER PUMP (8 CYLINDER 239 ENGINE)



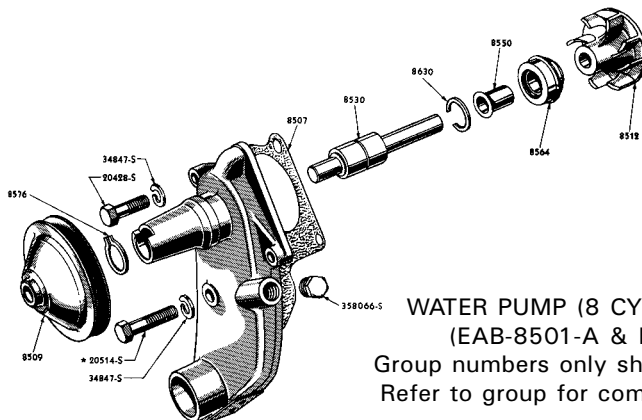
WATER PUMP (6 CYLINDER 226 ENGINE)

WATER PUMP, REBUILT

B-8501-R	REBUILT WATER PUMP, MODEL "B", 4 Cylinder <i>CORE CHG 35.00</i>	32-34	99.95 ea.
B-8501-RSS	REBUILT WATER PUMP, MODEL "B", 4 Cylinder, Stainless Steel shaft. <i>CORE CHG 35.00</i>	32-34	115.50 ea.
68-8501	WATER PUMP, Rebuilt, <i>Core Charge of \$20.00</i>	32-36	84.95 ea.

WATER PUMP, NEW

78-8501	WATER PUMP, Right Side (Passenger side), with gasket & bearings, NEW	37-48	99.95 ea.
78-8502	WATER PUMP, Left side (drivers side), with gasket & bearings <i>Use 8RT-8501/2 when mounting 49-53 8BA Engine in 32-48 Ford Passenger/32-47 Pickup</i>	37-48	99.95 ea.
8RT-8501	WATER PUMP, Truck, NEW, Right Side	49-53	89.95 ea.
8RT-8502	WATER PUMP, NEW, Left side, Truck	49-53	89.95 ea.



WATER PUMP (8 CYLINDER ENGINE)
(EAB-8501-A & EAB 8502-A)
Group numbers only shown on illustration.
Refer to group for complete Part Number.

ORDERS ONLY 1-800-417-3347

WATER PUMP REBUILD KITS 1932-1948			
B-8591-SS	WATER PUMP KIT, Stainless Steel Shaft, Model "B"	32-34	84.95 kit
B-8591	WATER PUMP REBUILD KIT	Model B	74.95 kit
68-8591	WATER PUMP REBUILD KIT	32-36	29.95 kit
78-8591	WATER PUMP REBUILD KIT	37-48	18.95 kit
2GA-8591	WATER PUMP KIT, 6 CYL	42-47	31.95 kit
WATER PUMP MOUNTING HARDWARE			
78-8501-MBSS	WATER PUMP MOUNTING HARDWARE, Stainless Steel, does both pumps	32-34	4.95 set
WATER PUMP MOUNTING GASKETS			
B-8507	GASKET, Water pump to block	32-34	1.00 ea.
18-8507	GASKET, Water pump to head	32-36	.90 ea.
78-8507	GASKET, Water pump to block	37-48	.90 ea.
8BA-8507	GASKET, Water pump to block for 8RT Pumps	48-53	1.50 ea.
WATER PUMP PULLEYS			
18-8509	WATER PUMP PULLEY, V-8	32-36	15.95 ea.
78-8509	WATER PUMP PULLEY, 85/95 HP	37-48	12.95 ea.
79-8509	DOUBLE BELT WATER PUMP PULLEY	37-41	10.00 ea.
68-8512	WATER PUMP IMPELLER AND SHAFT	32-36	10.95 ea.
68-8520	WATER PUMP OILITE BUSHING	32-36	1.50 ea.
68-8524	BELLOWS SEAL, Water pump	33-48	8.95 ea.
THERMOSTATS & HEATER HOSE CONNECTOR			
40-8575	THERMOSTAT, Limited Supply	32-36	25.00 ea.
11A-8575-A	THERMOSTAT, 2 needed, 160 degrees	37-48	6.95 ea.
11A-8575-BHT	THERMOSTAT, 2 needed, 180 degrees	37-48	6.95 ea.
HEATER HOSE BRACKETS, CONNECTORS, SHUT OFF VALVE			
91A-15151/2	HEATER HOSE BRACKET SET	39-41	44.95 set
91A-15160	HEATER HOSE CONNECTOR, sets into radiator hose	32-53	8.95 ea.
18495	HEATER SHUT OFF VALVE, Mounts off cylinder head	ALL	16.95 ea.
FAN BELTS			
B-8620	FAN BELT, Model "A" or Model "B"	28-34	6.50 ea.
18-8620	FAN BELT, Ford script	1932	14.95 ea.
40-8620	FAN BELT, Ford Script	33-36	14.75 ea.
78-8620-A	FAN BELT, Ford Script	37-41	13.75 ea.
78-8620-C	FAN BELT, Ford Script, generator belt	42-48	13.75 ea.
21A-8577	FAN BELT, Short belt for two belt car	42-49	10.75 ea.
21A-8577	FAN BELT, Ford Script	42-49	13.75 ea.

32-48 Passenger Cars & 32-47 Pickup Trucks

FAN HUB GASKETS

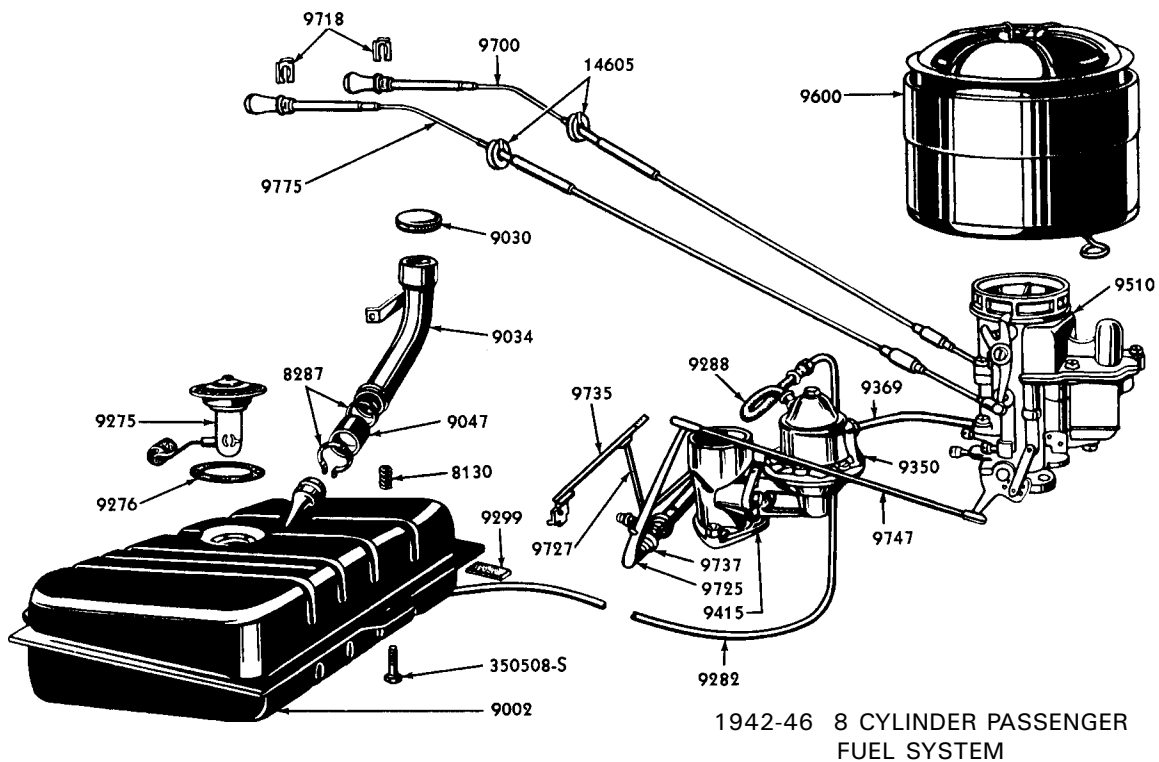
21A-8638	GASKET	42-52	2.00 ea.
21A-8646	GASKET	42-52	1.00 ea.

DECALS

Decal #1	DECAL, Accessory oil bath cleaner	35-40	3.00 ea.
Decal #1A	DECAL, Dry air cleaner	33-36	3.00 ea.
Decal #2	DECAL, Oil bath air cleaner	1941	3.00 ea.
Decal #3	DECAL, Oil filter	39-48	3.00 ea.
Decal #4	DECAL, Fan Hub	42-48	3.00 ea.
Decal #5	DECAL, Heavy duty oil bath cleaner	32-48	3.00 ea.
Decal #6	DECAL, Dry air cleaner	39-40	3.00 ea.
Decal #7	DECAL, Oil bath air cleaner	42-48	3.00 ea.

Other Decals Available, Please inquire

FUEL SYSTEM




NEW GAS TANKS BY DRAKE

B-9002	FUEL TANK, Steel	32-32	395.00 ea.
40-9002	FUEL TANK, 11 Gal., NEW, Passenger Cars, EX Victoria	33-34	325.00 ea.
67-9002	FUEL TANK, 14 Gal.,NEW, 35-37 Pickup, 34 Victoria.	35-37	325.00 ea.
68-9002	FUEL TANK, NEW, Passenger Cars	35-36	325.00 ea.
78-9002	FUEL TANK, Early 37 Passenger Cars	37-37	325.00 ea.
81A-9002	FUEL TANK, 14 Gal., NEW, 38-40 Passenger, Pickup, Ex 40 Sedan, Delivery.	38-40	275.00 ea.
11A-9002	FUEL TANK, 17 Gal.,NEW, Ford & Mercury Passenger	41-48	275.00 ea.

ORDERS ONLY 1-800-417-3347

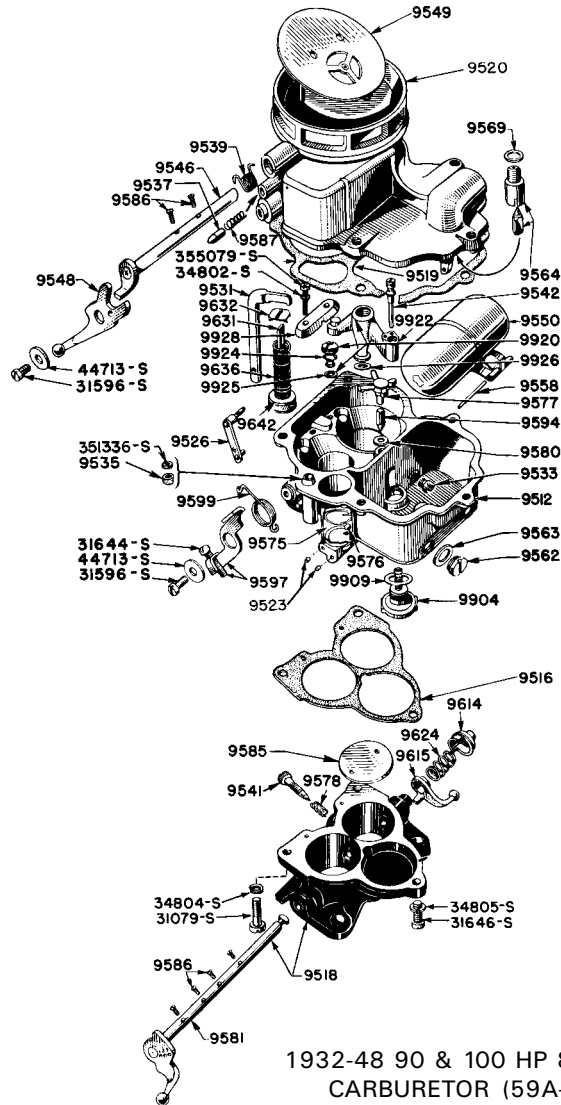
GAS CAP			
11C-9030	GAS CAP, Stainless Steel like original, also fits 48-50 Pickup	32-48	6.95 ea.
18-9030-V8	GAS CAP, With V-8 logo, by Bob Drake, Passenger 32-48, Pickup, 32-50	32-50	20.00 ea.
18-9030	GAS CAP, Original style by Drake, Passenger 32-48, Pickups 32-50	32-50	20.00 ea.
48-18416	GAS CAP, Locking (Bob Drake Cap available \$30.00)	32-48	25.00 ea.
48-18416-D	GAS CAP, Locking, script, by Bob Drake, Passenger 32-48, 32-50 Pickups	32-50	30.00 ea.
01A-18416-B	GAS CAP, Locking, original 1940, by Drake	40-48	35.00 ea.
GAS TANK & GAUGE AREA			
M-9002	GAS TANK SEALER & SLOSHING COMPOUND, alcohol resistant. We carry the Bill Hirsch product, considered the best, Quart		22.95 ea.
B-9002-SK	FUEL TANK TO FRAME MOUNTING KIT	32-48	5.00 kit
40-9003	HYDROSTATIC GAUGE ADAPTER, use with Drake tanks	33-35	35.00 ea.
46-9051	GAS TANK LEAD WASHER, 33-37 Pickup, 35-37 Passenger, 35 Victoria	33-37	8.00 ea.
48-9004	GAS TANK GAUGE HOLE COVER	35-36	8.00 ea.
78-9004	GAS TANK GAUGE HOLE COVER	37-40	8.00 ea.
FILLER NECK HOSES, BUMPERS, DOOR SPRINGS			
78-9047	GAS NECK HOSE, Passenger & 37-41 Pickup	37-40	11.00 ea.
81A-9047	GAS NECK HOSE, Station Wagon	38-40	6.00 ea.
11A-9047-A	GAS NECK HOSE	41-48	6.00 ea.
11A-9047-B	GAS NECK HOSE, Station Wagon	41-48	6.00 ea.
11A-9047-A	GAS NECK HOSE, 42-55 Trucks	42-55	6.00 ea.
11A-8287	FILLER NECK HOSE CLAMP	41-48	1.50 ea.
11A-16378-A	GAS TANK LID BUMPERS	41-48	1.95 ea.
11A-16377-C	GAS FILLER DOOR HINGE SPRING	41-48	5.95 ea.
FILLER NECK GROMMETS			
40-16388	GAS FILLER NECK RUBBER GROMMET, Passenger except Victoria	33-34	5.00 ea.
48-9080	GAS FILLER NECK RUBBER GROMMET, Passenger except Wagon	35-36	5.00 ea.
91A-9080	GAS FILLER NECK RUBBER GROMMET, Passenger 37-40, Pickup 37-41	37-41	5.00 ea.
21C-9080	GAS FILLER NECK RUBBER GROMMET, Pickup Trucks, USA Made	42-47	12.00 ea.
GAS TANK FILLER PIPE			
48-9034	GAS TANK FILLER PIPE, Threaded sleeve screws into tank	35-35	45.00 ea.
68-9034-A	GAS TANK FILLER PIPE, Threaded sleeve, Passenger Cars only	36-36	45.00 ea.
78-9034-A	GAS TANK FILLER PIPE, Threaded sleeve screws, 1936 & early 37 Cars	36-37	45.00 ea.
78-9034-B	GAS TANK FILLER PIPE, Non threaded clamps into rubber hose late 37	37-37	45.00 ea.
81C-9034-B	GAS TANK FILLER PIPE, Non threaded clamps into hose, Pickup Trucks	38-41	40.00 ea.
91A-9034-B	GAS TANK FILLER PIPE, Passenger Cars	38-40	45.00 ea.
SEDIMENT BOWL			
A-9173	FUEL SEDIMENT BOWL CORK GASKET	32-48	.50 ea.
A-9176	SEDIMENT BOWL BRASS SCREEN	28-48	1.00 ea.

32-48 Passenger Cars & 32-47 Pickup Trucks

FUEL TANK SENDING UNITS, FLOATS, GASKETS			
99A-9275	GAS TANK SENDING UNIT, 6/12 V 36-56 Ford/Mercury Passenger, 36-60 Ford/Mercury Pickups, 55-56 T/Bird, Made by Stewart Warner	36-60	37.50 ea.
68-9275-F	BRASS SENDING UNIT FLOAT	36-56	8.50 ea.
68-9276	GASKET, for above	36-56	1.50 ea.
B-9276	GASKET, Tank Unit to tank	23-35	1.50 ea.
OIL PRESSURE SENDING UNIT			
41A-9278	OIL PRESSURE SENDING UNIT, 80 lb. system	39-48	40.00 ea.
FUEL LINE TO FIREWALL CLIP			
	<i>This clip holds the fuel line to the Firewall. Often missing or in poor condition.</i>		
18-9296	USA Made exact reproductions, with mounting screw. Passenger & Pickup		32-48 \$9.95 ea.
FUEL LINES			
11A-9282	GAS LINE, Tank to engine compartment, Copper with fittings	35-48	16.50 ea.
40-9289	GAS GAUGE AIRLINE, With all fittings & fluid	33-35	25.00 ea.
18-9296	CLIP, Holds fuel line to firewall, Passenger & Pickup	32-48	8.95 ea.
FL-9324	FUEL GAUGE LIQUID, Hydrostatic gauge	32-35	2.50 ea.
B-9288	FLEXIBLE GAS LINE, into fuel pump	Model B	5.50 ea.
18-9288	FLEXIBLE GAS LINE, into fuel pump	32-48	5.95 ea.
7HC-9288	FLEXIBLE FUEL LINE, Passenger & Pickup	48-50	4.95 ea.
91A-9369	FUEL LINE, Fuel Pump to Carb, Copper with all fittings	33-53	3.75 ea.
91A-9369-A	FUEL LINE, Fuel Pump to Carb, Copper Plated Steel with fittings	38-48	4.50 ea.
91A-9369-B	FUEL LINE, Fuel Pump to Carb, Copper Plated Steel with Fittings	32-37	4.50 ea.
GAS TANK TO FRAME PADS			
48-9299	GAS TANK TO FRAME PADS	35-36	5.00 ea.
78-9299	GAS TANK TO FRAME PADS	37-40	5.00 ea.
FUEL PUMP REBUILD KITS			
B-9349	FUEL PUMP REBUILD KIT	Model B	47.50 kit
11A-9349	FUEL PUMP REBUILD KIT, for pump with glass bowl, V-8	34-48	14.95 kit
68-9398	FUEL PUMP DIAPHRAM, No gaskets included.	33-50	5.95 ea.
68-9398-A	DIAPHRAM, only	33-48	12.00 ea.
NEW FUEL PUMPS V-8 ENGINES			
01A-9350	FUEL PUMP, Without glass bowl	33-39	49.95 ea.
59A-9350	FUEL PUMP, With glass bowl, introduced 1940, correct 42-48	33-48	52.95 ea.
9544-9350	FUEL PUMP, V8, Double Action, Passenger & Pickup	48-50	95.00 ea.
NEW FUEL PUMPS 6 CYLINDER ENGINES			
592-9350	FUEL PUMP, 6 Cylinder, Passenger & Pickup with Vacuum Control Distributor	47-51	44.95 ea.

ORDERS ONLY 1-800-417-3347

REBUILT FUEL PUMPS			
B-9350	REBUILT MODEL "B" FUEL PUMP 4 CYL, EXCHANGE, CORE \$50.00	32-34	150.00 ea.
ELECTRIC FUEL PUMPS			
EFP-9350-A	ELECTRIC FUEL PUMP, 4-6 PSI, 6 volt	32-55	49.50 ea.
EFP-9350-B	ELECTRIC FUEL PUMP, 4-6 PSI, 12 volt	32-60	48.75 ea.
FUEL PUMP PUSH RODS & BUSHINGS			
48-9400-A	PUSH ROD 8.87", use with iron intake manifold	32-48	5.95 ea.
48-9400-B	PUSH ROD 7.87", use with aluminum intake manifold	32-48	7.95 ea.
18-6025	PUSH ROD BUSHING, N.O.S.	32-48	5.00 ea.
FUEL PUMP GASKETS			
B-9417	GASKET, Fuel Pump to Engine 4 cylinder	32-34	1.00 ea.
40-9417	GASKET, Fuel pump to stand (included with New pump)	33-38	.85 ea.
40-9374	GASKET, Fuel pump stand to manifold	33-48	.75 ea.
V8 MANIFOLD AREA: INTAKE/EXHAUST			
351242-S	INTAKE MANIFOLD WASHER SET	32-48	5.50 set
40-6521	GASKET, Intake manifold	32-48	6.95 ea.
18-9433	GASKET SET, Exhaust manifold, 8 pieces, V-8	32-53	4.50 set
B-9433	EXHAUST MANIFOLD GASKET, 4 Cylinder	32-34	5.95 ea.
GASKETS			
B-9447	GASKET, Carburetor to manifold, Stromberg Model B	32-34	.50 ea.
40-9477-A	GASKET, Carburetor to manifold, Stromberg	33-38	1.35 ea.
40-9447-B	GASKET, Carburetor to manifold, Ford/Holley/C-G	39-56	.75 ea.
67-9502	GASKET SET, Includes 40-9447-A, Stromberg	33-38	set
21A-9502	GASKET SET, Includes 40-9447-B, Ford/Holley/C-G	39-56	3.95 set
CARBURETOR			
MISC. CARBURETOR PARTS			
78-9631	ACCELERATOR PUMP	38-53	6.95 ea.
78-9550	CARBURETOR FLOAT	38-55	10.00 ea.
40-9631	ACCELERATOR PUMP PISTON	33-37	3.75 ea.
40-9564	CARBURETOR NEEDLE & SEAT	33-38	5.00 ea.
78-9564	CARBURETOR NEEDLE & SEAT	39-53	4.00 ea.
CARBURETOR REBUILD KITS			
B-9590	CARBURETOR REBUILD KIT, Model "B" 4 cylinder	32-34	29.95 kit
67-9590	CARBURETOR REBUILD KIT, Including gaskets, Stromberg	33-38	19.95 kit
59A-9590	CARBURETOR REBUILD KIT, Including gaskets, Ford/Holley	38-53	19.95 kit
7HA-9590	CARBURETOR REBUILD KIT, Including gaskets, 6 cylinder	41-51	15.25 kit



1932-48 90 & 100 HP 8 CYLINDER
 CARBURETOR (59A-9510-1)

REBUILT CARBURETORS

18-9510-REB	DETROIT LUBRICATOR, V-8, CORE CHARGE \$75.00	32-32	185.00 ea.
40-9510-REB	DETROIT LUBRICATOR 1933, V-8, CORE CHARGE \$75.00	33-33	185.00 ea.
48-9510-REB	STROMBERG MODEL "48", CORE CHARGE \$100.00	34-35	175.00 ea.
97-9510-REB	STROMBERG MODEL "97", CORE CHARGE \$100.00	36-38	175.00 ea.
59A-9510-REB	FORD/HOLLEY MODEL "94", CORE CHARGE \$50.00	39-48	145.00 ea.
7RT-9510-REB	FORD/HOLLEY MODEL "94", Pickup Truck V-8, CORE CHARGE \$50.00	48-53	145.00 ea.
7HA-9510-REB	FORD 6 CYL, Passenger Car, CORE CHARGE \$50.00	47-51	145.00 ea.
8HA-9510-REB	FORD 6 CYL, Passenger Car, CORE CHARGE \$50.00	46-51	145.00 ea.
B-9510-REB	ZENITH MODEL "B", 4 Cylinder, CORE CHARGE \$50.00	32-34	160.00 ea.

All rebuilt carburetors are professionally rebuilt to exacting standards including replating. They are the best available and are sure to please you.

NEW STROMBERG CARBURETORS

97-9510-N	MODEL "97" STROMBERG CARB, New Manufacture-Just-Like-Original		450.00 ea.
-----------	---	--	------------

ORDERS ONLY 1-800-417-3347

NEW STROMBERG PARTS		
9522K	BOWL PLUG KIT, all 3 plugs with gaskets	\$15.95 kit
9563-10K	BOWL PLUG GASKETS, pack of 10	\$3.95 set
9526K-97	ACCELERATOR PUMP ROD, for 97 and 81 - Stainless Steel	\$15.95 ea.
9526K-48	ACCELERATOR PUMP ROD, for 40 and 48 - Stainless Steel	\$15.95 ea.
9531K	ACCELERATOR PUMP LEVER, SPRING & COTTER PIN - Stainless Steel	\$15.95 set
9533K-size	MAIN JETS, all sizes available	\$7.50 pr.
9534K	EMULSION TUBES	\$19.95 pr.
9537K	CHOKE LEVER DETENT PLUNGER & SPRING - Stainless Steel	\$3.95 ea.
9541K	IDLE ADJ SCREWS & SPRINGS	\$9.95 pr.
9542K	IDLE JETS	\$15.95 pr.
9546K	CHOKE SHAFT KIT, Includes: lever, washer, screw & end stud	\$15.95 kit
9549K	CHOKE PLATE KIT, Includes: screws & Stainless Steel plate with correct 15 degree edge	\$9.95 kit
9550K	STROMBERG SUPERFLOAT, With NEW float pin	\$19.95 ea.
9552K	THROTTLE KICKER ASSEMBLY, Stainless Steel, includes: idle screw & spring	\$19.95 ea.
9558K	FLOAT PIN	\$4.95 ea.
9564K	FUEL INLET S-JET, with gasket	\$15.95 ea.
9573K	ACCELERATOR PUMP CHECK VALVE	\$4.95 ea.
9577K	ACCELERATOR PUMP DISCHARGE JET, plus collar	\$15.95 pr.
9581K	THROTTLE SHAFT & LEVER KIT, Includes: screws & bushes - stock size	\$29.95 kit
9585K	THROTTLE PLATE - 7 degree edge	\$9.95 pr.
9586K	THROTTLE/CHOKE PLATE SCREW, Quantity 10	\$3.95 set
9589K	THROTTLE STOP SCREW & SPRING, Stainless Steel	\$4.95 ea.
9592K	CHOKE & ACCELERATOR PUMP LEVER FULCRUM SCREWS	\$9.95 ea.
9594K-size	POWER BY-PASS JET, With gasket	\$9.95 ea.
9630K	ACCELERATOR PUMP KIT, Includes: springs, retainers, washers, felt gasket & cotter pin	\$15.95 kit
9631K	ACCELERATOR PUMP, Stainless Steel rod	\$7.50 ea.
31095K	BODY SCREW KIT, 8 screws & washers, Stainless Steel	\$9.95 kit
9590K-97	PREMIUM SERVICE KIT FOR STROMBERG, 97, 48 and 40 - Full gasket kit, 'No-stick' S-jet inlet valve, Accelerator pump check valve, 2 idle mixture screws and springs, Full accelerator pump kit, Installation sheet and float gauge (over US \$55 retail value)	\$39.95 kit
9571K	SPRING KIT, All exterior springs - all Stainless Steel except idle adjuster springs	\$9.95 kit
9447K	FULL GASKET KIT, Three main gaskets (non-paper), plus felt gasket for accelerator pump, and ring gaskets for power jet, inlet valve and drain plugs	\$9.95 kit
9447K-5	BULK GASKET KIT, As above x 5	\$39.95 kit
69447K	CARB TO MANIFOLD GASKET, Pack of 6	\$11.95 set
89067K-3	MANIFOLD STUD KIT, 3 studs with Stainless Steel lock washers and nuts	\$11.95 kit
89067K-4	MANIFOLD STUD KIT, 4 studs with Stainless Steel lock washers and nuts	\$15.95 kit
29447K	CARB BLANK OFF PLATE, Want to keep a carb or two out of action? Slip this thin Stainless Steel plate between the carb and gasket. It's shaped to fit the later 1-1 base footprint you find on most '50's and '60's 2-bbl manifolds, but it's smaller so it all but disappears	\$11.95 ea.

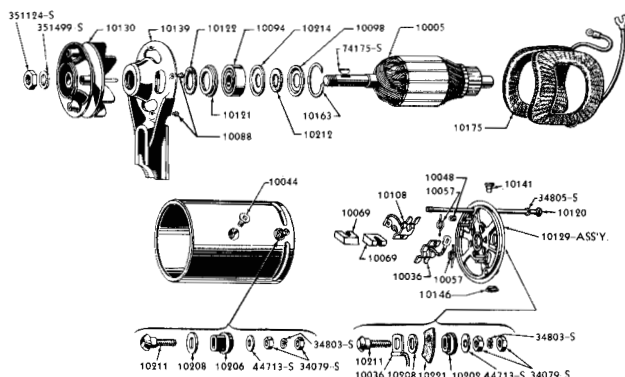
32-48 Passenger Cars & 32-47 Pickup Trucks

9552K-C	THROTTLE KICKER ASSEMBLY, A perfect replica, Stainless Steel, of the late model 97, for cable choke (designed for '49-on Fords). A separate bracket - included - mounts off the rear body screw to hold the cable sleeve.		\$39.95 ea.
CHOKE & THROTTLE ROD AREA			
B-9700/75S	CHOKE & THROTTLE RODS, Knobs not included	32-38	13.95 pr.
91A-9700	CHOKE & THROTTLE RODS, Knobs not included	1939	22.75 pr.
01A-9700	CHOKE & THROTTLE RODS, Knobs not included	1940	30.00 pr.
11A-9700-CT	CHOKE & THROTTLE RODS , With Knobs & Mounting Hardware	1941	145.00 pr.
51A-9700-CTA	CHOKE & THROTTLE RODS, With Knobs & Mounting Hardware, 1946 Deluxe models, Chocolate Brown with Red letters	1946	135.00 pr.
51A-9700-CTB	CHOKE & THROTTLE RODS, With Knobs & Mounting Hardware, By Drake 1946 Super Deluxe - Blue Grey knob, Red letters	1946	135.00 pr.
51A-9700-CTC	CHOKE & THROTTLE RODS, With Knobs & Mounting Hardware, By Drake 1946 Super Deluxe, Convertible, Wagon, Sportsman, Grey, Tan knobs, Red letters	1946	135.00 pr.
6A-9700-CT	CHOKE & THROTTLE RODS, With Knobs & Mounting Hardware, all bodies, Tan knob - Black letters, By Drake	47-48	135.00 pr.
7C-9700-U	CHOKE/THROTTLE CABLE, No Knob, Universal type	32-59	17.50 ea.
GROMMETS			
B-14605	GROMMETS, Thru firewall for above rods	32-48	1.75 pr.
40-14612	GROMMETS, Thru instrument panel for above rods, choice of Black, Brown or Gray	33-37	3.00 pr.
81A-9719	GROMMETS, Thru instrument panel, for above rods	38-40	2.95 pr.
91A-9719-B	GROMMETS, With clips, die cast in Metal, for above rods	38-40	35.00 pr.
91A-9718-B	GROMMET CLIPS, for above grommets, 39-48 Passenger, 40-47 Pickup	39-48	7.50 pr.
91A-9702	SLEEVE, Connector for choke/throttle rods	39-48	4.50 ea.
91A-9714-A	CARBURETOR RUBBER BALL, 4 piece set	39-48	8.00 set
ACCELERATOR PEDALS			
48-9735-D	ACCELERATOR PEDAL, USA	35-48	20.00 ea.
ACCELERATOR RODS & SPRINGS			
48-9727	ACCELERATOR PEDAL ROD	35-38	6.50 ea.
48-9737	ACCELERATOR SPRING	35-38	6.00 ea.
91A-9747	ACCELERATOR ROD, To carburetor	35-39	7.95 ea.
99A-9747-B	ACCELERATOR ROD, To carburetor	39-48	7.95 ea.
CHOKE/THROTTLE BRACKET & CLAMP			
11A-9796	CHOKE & THROTTLE BRACKET & CLAMP SET, USA, By Drake	41-48	15.00 pr.
MODEL "B" CARBURETOR AREA: (ZENITH)			
B-9502	GASKET SET		3.50 set
B-9550	FLOAT		14.95 ea.

ORDERS ONLY 1-800-417-3347

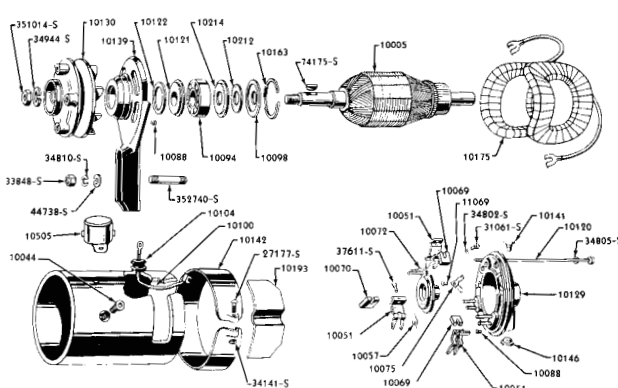
B-9564	GROSE JET	16.50 ea.
B-9590	REBUILD KIT	29.95 kit
B-9510-REB	REBUILT MODEL "B" CARBURETOR CORE CHARGE \$50.00	160.00 ea.

GENERATOR & ALTERNATOR



2 BRUSH TYPE GENERATOR (81A-10000-D)

Basic numbers only shown on illustration. Order by Part Numbers shown in list of parts.



3 BRUSH TYPE GENERATOR (81A-10000A)

40-10043	GENERATOR BRUSH SET, All 1929-38 & 1939 with cutout	3.00 set
01A-10043	GENERATOR BRUSH SET, 1939 with regulator & all 40-53	3.00 set
91A-10057	GENERATOR BRUSH SPRING	39-57 5.00 ea.
40-10104-A	GENERATOR WIRE GROMMET	32-48 3.00 ea.
18-10128	GENERATOR REAR END PLATE BUSHING	28-37 2.50 ea.
78-10128	GENERATOR REAR END PLATE BUSHING	37-48 1.00 ea.
A-10094	BEARING	28-48 4.95 ea.
18-10094	GENERATOR BEARING FRONT, NOS Ford	32-37 24.95 ea.

ALTERNATOR

ALT-10000-6V	ALTERNATOR, 6 volt positive ground, Model A -53 V-8	28-53 125.00 ea.
ALT-10000-12V	ALTERNATOR, 12 volt negative ground, Model A -53	28-53 95.00 ea.

GENERATOR, REBUILT

REBUILD SERVICE . . . WE HAVE REBUILT GENERATORS AND STARTERS IN STOCK- PLEASE INQUIRE. BOTH 6 & 12 VOLT AVAILABLE.

A-10000	GENERATOR, REBUILT, bushing type, Model A	28-31 155.00 ea.
01A-10000-REB12	GENERATOR, REBUILT, 12 Volts	40-41 195.00 ea.
21A-10000-REB12	GENERATOR, REBUILT, 12 Volts	42-48 198.00 ea.

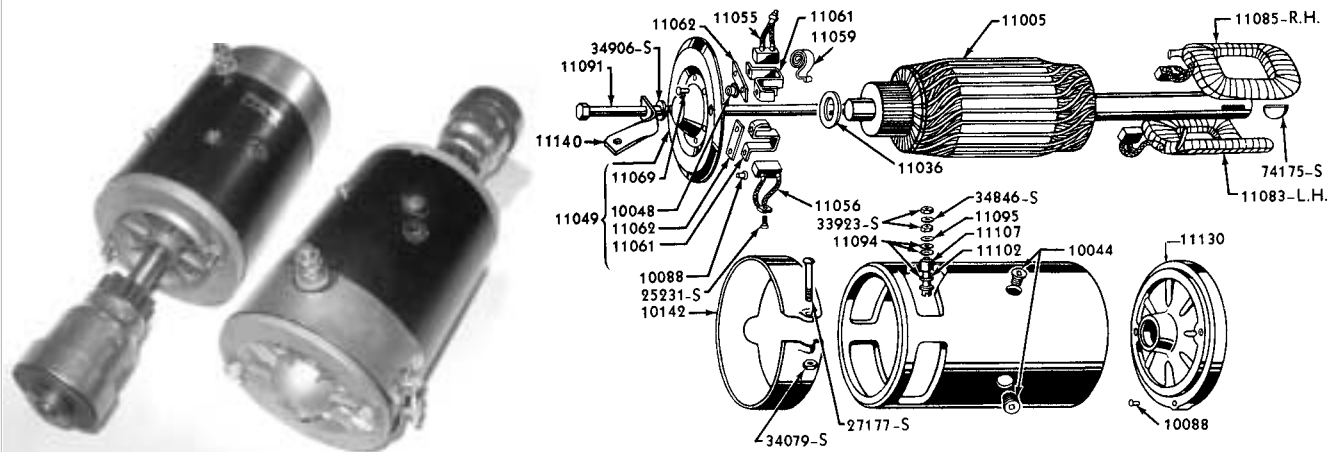
VOLTAGE REGULATORS/GENERATOR CUTOUT

51A-10505	VOLTAGE REGULATOR, 6 volt	39-55 36.50 ea.
B-10606	VOLTAGE REDUCER, Cuts 12V to 6 volts	28-55 13.50 ea.
91A-10610	VOLTAGE REGULATOR CUSHION PAD SET	39-48 3.50 set
B-10505	CUTOUT	20-39 29.95 ea.

32-48 Passenger Cars & 32-47 Pickup Trucks

B-10505-D	DIODE CONVERSION KIT, for cutout, with instructions	20-39	6.50 kit
B-10505-REG	CUTOUT-VOLTAGE REGULATOR, not a diode, complete electronic voltage regulator	32-39	79.95 ea.
A-10130	ALTERNATOR PULLEY, (5/8")	32-56	29.95 ea.

STARTER



STARTER - LESS DRIVE

NEW STARTERS

18-11002-6VN	NEW STARTER, 6 Volts, includes modern starter drive	32-53	169.95 ea.
18-11002-12VN	NEW STARTER, 12 Volts, includes modern starter drive	32-53	169.95 ea.

STARTER - MISCELLANEOUS

18-11057	STARTER BRUSH SET	32-61	3.95 set
B-11135	BUSHING, Rear plate	28-48	1.50 ea.
51A-11140	STARTER SUPPORT BRACKET, Rear of starter to oil pan, V-8 & 6 Cylinder	39-53	4.50 ea.
B-11350	STARTER DRIVE, Complete with spring, not for use with 12 volt systems	28-48	24.95 ea.
A-11350-MT	STARTER DRIVE COMPRESSUR TOOL, for B-11350-M	28-53	19.95 ea.
B-11350-M	STARTER DRIVE, use w/12 & 6 volt starter, Best Available	32-56	29.95 ea.
A-11378-S	STARTER DRIVE BOLT & WASHER SET, 4 piece	29-48	2.50 set
18-11052	STARTER FRONT END PLATE BUSHING	32-48	1.00 ea.

STARTER SWITCHES

B-11450	STARTER SWITCH, Pulls by hand	Model B	20.00 ea.
40-11450	STARTER SWITCH, Foot, V8	32-34	34.95 ea.
48-11450	STARTER SWITCH, Foot, V8	35-36	24.95 ea.
18-11470	STARTER SWITCH ROD, V8	32-34	24.95 ea.

STARTER SOLENOID

21A-11450	SOLENOID, Bakelite - 6 & 8 cylinder	37-51	17.50 ea.
01A-11450	SOLENOID, Steel case with button	37-51	29.95 ea.

STARTER BUTTONS/IGNITION SWITCHES

6A-11500-C	STARTER BUTTON, Chrome, Passenger & Pickup	37-51	8.50 ea.
------------	--	-------	----------

ORDERS ONLY 1-800-417-3347

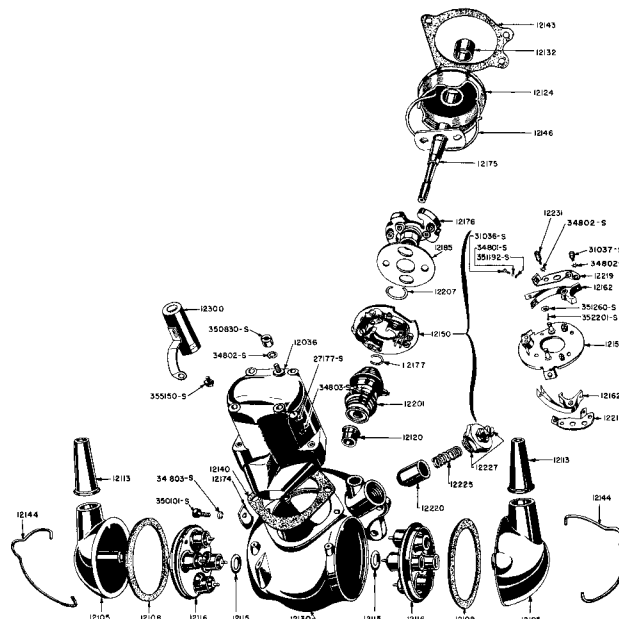
TEMPERATURE			
68-10883	TEMP GAUGE & SENDER ASSEMBLY, Passenger, foreign made	35-36	69.95 ea.
91A-10883	TEMP GAUGE & SENDER ASSEMBLY, Passenger & Commercial, foreign made	37-39	69.95 ea.
48-10882	TEMP GAUGE & COIL WIRE CLIP, Holds wires to ignition wire conduit	32-48	1.50 ea.
8A-10884	TEMP SENDER, In cylinder head single prong	39-53	52.95 ea.
8A-10990	TEMP SENDER, In cylinder head double prong	39-53	52.95 ea.
IGNITION SWITCH PLATES			
<i>A die stamped aluminum ignition switch pate with ON and OFF in silk screen.</i>			
B-11556	OFF/ON PLATE, with rivets	1932	2.95 ea.
40-11556	OFF/ON PLATE, with rivets	33-34	2.95 ea.
48-11556	OFF/ON PLATE, with rivets	35-36	2.95 ea.
78-11556	OFF/ON PLATE, with rivets, also fits 1937	40-48	2.95 ea.
81A-11556	OFF/ON PLATE, with rivets	38-39	2.95 ea.
1932 INSTRUMENT PANEL			
18-11804	INSTRUMENT PANEL, Engine turned, Stainless Steel	1932	79.00 ea.
SPARK PLUGS			
18-12405	SPARK PLUG, Motorcraft, for Model A, Model B & 1932 V8		4.95 ea.
40-12405	SPARK PLUG, (18 m.m.) for V8	33-37	2.75 ea.
7RA-12405	SPARK PLUG, (14 m.m.) for V8	38-54	2.95 ea.
7RA-12405-C	CHAMPION H-10 SPARK PLUG, 14 MM, 239 V8	38-54	3.50 ea.
COIL			
	ORIGINAL REBUILT COILS, In stock - INQUIRE <i>Exchange - Core Required</i>	33-48	119.95 ea.
78-12024	COIL, 37-41 Tall type, mounts with 2 screws, USA Made, Ford Script	37-41	82.50 ea.
B-12001-CB	COIL BRACKET, for 6V B-12000 coil		4.95 ea.
B-12000	COIL 6V, for coil adapter kit	32-48	18.95 ea.
1GA-12024-S	IGNITION COIL, With Ford Script	42-48	80.00 ea.
1GA-12024-PL	IGNITION COIL, (NO) Ford Script <i>As an alternative to the coil mounted on the distributor see the coil adaptor kits listed immediately below. We carry such a kit. If you buy a coil adaptor kit, also order the B-12000 coil listed above.</i>	42-48	50.00 ea.
COIL ADAPTER KIT			
18-12036-S	COIL ADAPTOR KIT, With condenser for 3 screw coil	32-36	37.50 kit
78-12036-S	COIL ADAPTOR KIT, With condenser for 2 screw coil	37-41	37.50 kit
COIL BRUSH & SPRING			
18-12010	COIL BRUSH & SPRING, for original coil	32-36	2.50 ea.
68-12010-S	COIL BRUSH & SPRING, for original coil	37-41	2.50 ea.

DISTRIBUTOR

MODEL "B" DISTRIBUTOR

B-12105	BODY, Bakelite	28-34	17.95 ea.
B-12115	CAP, Bakelite	28-34	4.00 ea.
SS-12127	SCREW & NUT SET	28-34	1.00 ea.
A-12132	BUSHINGS	28-34	1.35 pr.
A-12135	OIL CAP, Original	28-34	3.20 ea.
A-12144	CAP CLAMPS	28-34	2.15 pr.
A-12145	RIVETS, for above	28-34	.60 ea.
B-12199	POINTS, Model B - 4 cylinder	28-34	20.00 ea.
B-12200	ROTOR	28-34	2.50 ea.
A-12210	CAM	28-34	13.95 ea.
CW-12210	CAM WRENCH	28-34	1.50 ea.
A-12211	CAM SCREW & WASHER	28-34	1.15 ea.
B-12275-S	PLUG WIRE SET	28-34	3.00 set
B-12300	CONDENSER	28-34	7.95 ea.

V8 DISTRIBUTOR



1932-41 8 CYLINDER DISTRIBUTOR (11A-12127)
Basic numbers only shown on illustration.
Order by Part Numbers shown in list of parts

REBUILT DISTRIBUTORS

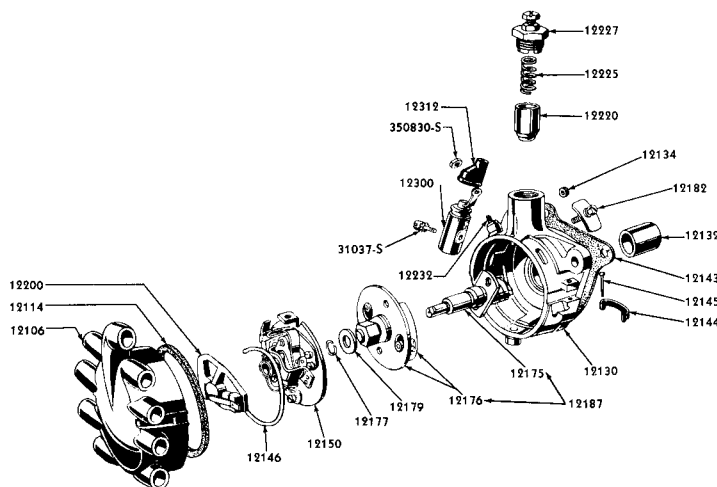
- We Rebuild our own on Genuine "Ford Stoboscope"

** NOTE ON CORE CHARGE & EXCHANGE*

Quoted price is an exchange price. Core charge (refundable upon return of a rebuildable unit) is \$30.00. Caps are not included, order separately if needed. Units are set on a strobe for correct timing. V8 owners 1942-48 please remove and retain the cap clips as our units are sent without them.

ORDERS ONLY 1-800-417-3347

40-12127	REBUILT DISTRIBUTOR, uses 3 screw coil *	32-36	95.00 ea.
68-12127	REBUILT DISTRIBUTOR, uses flat top coil *	1936	95.00 ea.
78-12127	REBUILT DISTRIBUTOR, uses 2 screw coil *	37-41	95.00 ea.
21A-12127	REBUILT DISTRIBUTOR, Without Cap Clips *	42-48	95.00 ea.
1GA-12120	DISTRIBUTOR BUSHING FOR POINT PLATE	42-48	1.95 ea.
1GA-12127	REBUILT DISTRIBUTOR, 6 cyl*	41-47	89.95 ea.



1942-44 8 CYLINDER DISTRIBUTOR (21A-12127)

DISTRIBUTOR ADAPTER

11A-6280	DISTRIBUTOR ADAPTER, used to mount early distributor to late engine	32-48	12.95 ea.
----------	---	-------	-----------

DISTRIBUTOR GASKET SET

18-12104-S	DISTRIBUTOR GASKET SET	32-41	5.95 set
21A-12104-S	DISTRIBUTOR GASKET SET	42-48	5.50 set

DISTRIBUTOR CAP

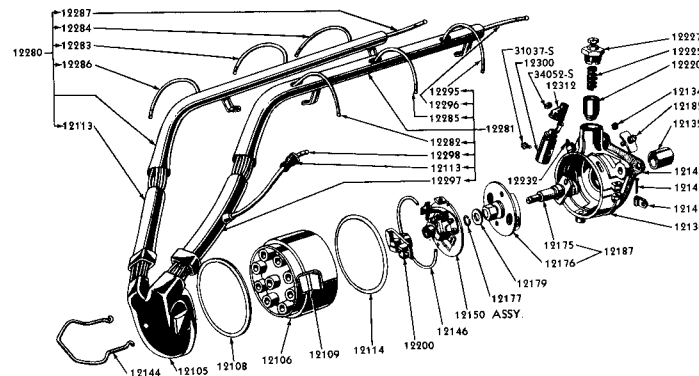
18-12105	OUTER CAP, Bakelite, order 2 per car	32-41	9.95 ea.
59A-12105	OUTER CAP, 2 piece	45-48	14.95 ea.
18-12116	INNER TERM CAP	32-36	19.95 ea.
68-12116	INNER TERM CAP	37-41	19.95 ea.
59A-12106	INNER CAP, USA Made	45-48	34.95 ea.
59A-12105/6	INNER & OUTER CAP-SETUP	45-48	39.95 ea.
21A-12106	CAP, Crab Type	42-48	19.95 ea.
21A-12106-R	DIST CAP, Crab Type, Red	42-48	24.95 ea.
21A-12144-S	DISTRIBUTOR CAP BAIL CLIPS, Crab type cap	41-42	4.50 ea.
1GA-12106	CAP, Crab Type - 6 cylinder	41-47	12.95 ea.

IGNITION POINTS & TUNE UP KITS

B-12199	POINTS, Model B, 4 cylinder	32-34	20.00 ea.
1GA-12107	POINTS, 6 cylinder	41-47	9.95 ea.
18-12107	POINT SET, Long arm style set	32-36	19.95 set

32-48 Passenger Cars & 32-47 Pickup Trucks

78-12107	POINT SET, 4 pieces, Foreign	37-48	19.95 set
78-12107-USA	POINT SET, 4 pieces, USA, Best Available	37-48	26.95 set
18-12113	BOOTS, for spark plug wires	32-41	3.50 pr.
59A-12113	BOOTS, for spark plug wires	46-48	11.00 pr.
18-12115	"O" RINGS, for inner cap, also in set 18-12104	32-41	.95 pr.
18-12138	RUBBER PLUGS, Bottom of Distributor	32-35	2.95 pr.
2N-12113	NIPPLE SEAL, used with Crab Caps, 6 & 8 cylinder	42-48	.50 ea.
A9AZ-12113	WEATHER SEALS, for Distributor Cap	40-70	.50 ea.
40-12120	BUSHING, Front	32-41	2.95 ea.
18-12132	BUSHING, Distributor Housing		3.00 ea.
7RA-12132	LOWER DISTRIBUTOR BUSHING	48-53	1.00 ea.



1945-48 8 CYLINDER DISTRIBUTOR (591-12127) & RELATED PARTS
 Basic numbers only shown on illustration.
 Order by Part Numbers shown in list of parts.

ROTORS

21A-12200	ROTOR, for use with 21A-12106 one piece cap	42-48	7.95 ea.
59A-12200	ROTOR, for 59A-12105/6 two piece cap	45-48	2.50 ea.
FAA-12200	ROTOR, as above also fits FAB-12106 cap; also fits 49-60 / 6 cylinder, 45-56 V8	45-60	2.50 ea.
48-12201	ROTOR	32-36	19.95 ea.
68-12201	ROTOR	36-41	25.00 ea.
68-12201-NOS	ROTOR, NOS, subject to availability	36-41	35.00 ea.
1GA-12200	ROTOR, 6 cylinder	41-47	3.00 ea.

VACUUM LINES

40-12226-B	DISTRIBUTOR VACUUM LINE, Distributor to intake manifold	33-40	5.00 ea.
11A-12226	VACUUM TUBE, With end fitting	37-41	6.95 ea.
21A-12226	VACUUM TUBE, With end fitting	42-48	6.95 ea.
18-12220	VACUUM BRAKE PLUNGER, With leather end	32-48	5.95 ea.
18-12225	VACUUM BRAKE PLUNGER SPRING	32-48	.50 ea.

IGNITION RESISTORS

18-12250-NOS	IGNITION RESISTOR, NOS	32-38	14.95 ea.
40-12250-OS	IGNITION RESISTOR & FUSE BLOCK, with original resistor	33-39	20.00 ea.
11A-12250	IGNITION RESISTOR & CIRCUIT BREAKER	41-46	35.00 ea.

ORDERS ONLY 1-800-417-3347

CONDENSERS				
18-12300-B	CONDENSER for 3 screw coil		32-36	7.00 ea.
68-12300	CONDENSER for flat top coil		1936	4.95 ea.
78-12300	CONDENSER for 2 screw coil		37-41	6.95 ea.
1GA-12300	CONDENSER		42-48	6.95 ea.
7RA-12300	CONDENSER		48-60	2.95 ea.
1GA-12312	CONDENSER BOOT, rubber		42-48	3.60 ea.
SPARK PLUG WIRES				
<i>Correct gauge wire, the real stuff just like Henry used. Properly color coded too! This is show quality wire at real world prices. You will be pleased!</i>				
18-12259-RG	SPARK PLUG WIRE SET with ring type ends, see below		32-36	32.04 set
18-12259-ST	SPARK PLUG WIRE SET with Standard plug term		32-36	32.04 set
78-12259	SPARK PLUG WIRE SET, color coded		37-41	33.32 set
21A-12259	SPARK PLUG WIRE SET, color coded		42-44	38.81 set
59A-12259	SPARK PLUG WIRE SET		46-48	37.25 set
8BA-12259	SPARK PLUG WIRE SET, V8		48-50	35.87 set
5GA-12259	SPARK PLUG WIRE 6 CYL "G"		46-47	28.35 ea.
7HA-12259	SPARK PLUG WIRE 6 CYL "H"		47-51	32.07 ea.
BATTERY CABLES				
<i>We carry the Bob Drake cables, with Ford in script at battery connections. They are heavy duty #2 wire with black cotton braid, tar coated, as original. The ground cables are woven wire strands, again as original. We also carry modern replacement cables which are priced lower, price in parenthesis.</i>				
18-14195	CABLE, battery to starter, (26 1/2")		32-34	(12.00) 20.00 ea.
48-14300	CABLE, battery to starter, (27 1/2")		35-36	(14.95) 20.00 ea.
78-14300	CABLE, battery to solenoid, (17 3/8") 37-38, 39 Standard		37-39	(12.50) 20.00 ea.
91A-14300	CABLE, battery to solenoid, (13 5/16"), 39 Deluxe,		40-48	(13.95) 20.00 ea.
40-14301	GROUND CABLE, (17 5/8") 32-34 & 36		32-34	(10.95) 20.00 ea.
48-14301	GROUND CABLE, (11 1/2")		1935	(10.95) 20.00 ea.
78-14301	GROUND CABLE, (9 11/16") 37-38, 39 Standard		37-38	(10.95) 20.00 ea.
91A-14301	GROUND CABLE, (6 3/8"), 1939 Deluxe,		40-48	(10.95) 20.00 ea.
B-14431	CABLE, Starter switch to starter, (8 1/4"), 4 cylinder		32-34	(12.50) 20.00 ea.
18-14431	CABLE, Starter switch to starter, (32")		32-36	(14.95) 14.95 ea.
78-14431	CABLE, Solenoid to starter, (18")		37-48	(12.00) 15.00 ea.
91A-14303	CABLE, Engine to firewall ground		37-48	(8.95) 15.00 ea.
CABLE HOLDERS, BRACKETS & GROMMETS				
18-14548	BATTERY CABLE HOLDER GROMMET		32-34	3.00 ea.
18-14548/50	BATTERY CABLE BRACKETS, Right and Left		32-34	25.00 ea.
48-14433	BATTERY CABLE HOLDER		35-36	8.50 ea.
48-14550	STARTER CABLE BRACKET		35-36	10.00 ea.

ELECTRICAL

Wiring, Lamps/Lights, Horn, Lacing Kits, Firewall Covers

WIRING

All of our wiring is American made, has original Ford color coding, and all the dash harnesses and all the lighting harnesses have a wiring diagram included. Order plenty of the B-14487 wire connectors as all connections are made with them. If wiring the dash, don't forget grommet 48-700731, below, as they pass thru it. The dash harnesses below connect all dash gauges, gauge lights, starter buttons, ignition switches, etc.

DASH WIRING

B-14401	DASH WIRING, 1932 4 cylinder Passenger & Pickup	45.84 ea.
18-14401	DASH WIRING, 1932 V8 Passenger & Pickup	50.81 ea.
40-14401-A	DASH WIRING, 1933-34 V8 Passenger & Pickup	54.26 ea.
40-14401-B	DASH WIRING, 1933-34 4 & 8 cylinder with loop amp gauge, Passenger & Pickup	53.40 ea.
46-14401B	DASH WIRING, 4 cylinder Passenger & Pickup	64.49 ea.
68-14401	DASH WIRING, 1935-36 Passenger & Pickup	71.30 ea.
78-14401-A	DASH WIRING, 1937 Passenger & Pickup	80.67 ea.
81A-14401-B	DASH WIRING, 1938 Passenger & Pickup	59.82 ea.
91A-14401	DASH WIRING, 1939 Standard with generator cutout (Car) or amp gauge loop	105.32 ea.
91A-14401-D	DASH WIRING, 1939 Deluxe with voltage regulator (Car)	103.22 ea.
91C-14401-A	DASH WIRING, 1939 Pickup with generator cutout	113.12 ea.
91C-14401-B	DASH WIRING, 1939 Pickup with voltage regulator	85.38 ea.
91C-14401C	DASH WIRING, 1939 Pickup with loop type amp gage & regulator	127.43 ea.
01A-14401-B	DASH WIRING, 1940 Passenger	116.01 ea.
01C-14401-B	DASH WIRING, 1940 Pickup	117.62 ea.
11A-14401	DASH WIRING, 1941 Passenger	125.03 ea.
21A-14401	DASH WIRING, 1942-46 Passenger, plus 1947 with horn under hood	130.16 ea.
51A-14401-A	DASH WIRING, 1948, plus 1947 with horn Front of radiator	194.94 ea.
11C-14401-B	DASH WIRING, 1941-42 Pickup, Big Truck, 8 cylinder	126.59 ea.
51C-14401-A	DASH WIRING, 1946-47 Pickup	134.01 ea.

DASH WIRING GROMMETS

40-14603	MAIN DASH WIRE GROMMET	33-34	1.50 ea.
48-700731	DASH WIRING GROMMET THRU FIREWALL,	1935-48	6.95 ea.

LIGHTING HARNESS

This harness plugs into the headlight sockets, crosses over and contains the initial leads for horns, dimmer switches and horn button. 1932-39 also contain the bakelite terminal contact switch plate which connects to the dash wiring harness inside the light switch body. 1940-48 connects to the wiring circuits of the cowl dash harness.

18-11646	LIGHTING HARNESS, With Cowl Lamps, Passenger & Pickup	1932	74.73 ea.
18-11647	LIGHTING HARNESS, Without Cowl Lamps *, Passenger & Pickup	1932	68.21 ea.
40-11646	LIGHTING HARNESS, With Cowl Lamps *, Passenger & Pickup	33-34	57.95 ea.
40-11647	LIGHTING HARNESS, Without Cowl Lamps, Passenger & Pickup	33-34	69.27 ea.
48-11647	LIGHTING HARNESS, Passenger & Pickup	35-36	73.86 ea.

ORDERS ONLY 1-800-417-3347

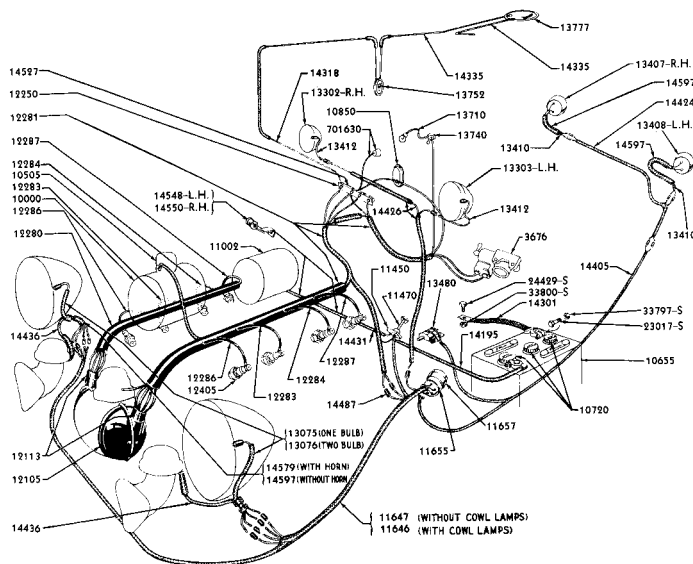
78-11653	LIGHTING HARNESS, Passenger	1937	48.41 ea.
77-11653-B	LIGHTING HARNESS, Pickup	1937	47.63 ea.
81A-11647	LIGHTING HARNESS, Passenger	1938	79.20 ea.
81C-11647	LIGHTING HARNESS, Pickup	1938	72.81 ea.
91A-11653-A	LIGHTING HARNESS, Passenger, Standard	1939	71.96 ea.
91A-11653-B	LIGHTING HARNESS, Passenger, Deluxe	1939	69.95 ea.
91C-11653	LIGHTING HARNESS, Pickup	1939	68.31 ea.
01A-11653-A	LIGHTING HARNESS, Passenger	1940	63.14 ea.
01C-11653	LIGHTING HARNESS, Pickup	40-47	54.68 ea.
11A-11653	LIGHTING HARNESS, Passenger	41-41	68.15 ea.
51A-11653-A	LIGHTING HARNESS, Passenger, V8	42-47	63.77 ea.
51A-11653-B	LIGHTING HARNESS, Use with 51A-14401 Dash Wire, Passenger	47-48	29.34 ea.

BODY WIRE

THIS HARNESS IS ALSO CALLED "TAIL LIGHT WIRING HARNESS". This harness attaches to the left side of the frame rail and plugs into the main dash harness or headlight harness, depending upon the year. It also contains leads for the gas tank sending unit, stop light switch, left tail lamp and Rear license plate lamp when applicable.

NOTE: To connect the right hand tail lamp you will also need the tail light cross over wire B-14424.

81A-14405	BODY WIRE, Passenger & Pickup	35-38	42.81 ea.
91A-14405	BODY WIRE, Passenger & Pickup	39-40	44.18 ea.
11A-14405-A	BODY WIRE, Passenger, Deluxe & Super Deluxe	41-47	57.53 ea.
51A-14405-A	BODY WIRE, Passenger, Deluxe, Super Deluxe & Mercury	41-48	57.69 ea.
51A-14405-B	BODY WIRE, Station Wagon	41-48	85.46 ea.
11C-14405-A	BODY WIRE, Pickup	1941	56.51 ea.
21C-14405-A	BODY WIRE, Pickup	42-47	40.85 ea.



1933-34 8 CYLINDER PASSENGER WIRING DIAGRAM

Basic numbers only shown on illustration.

Order by Part Numbers shown in list of parts

COIL WIRE			
B-14302	COIL TO DISTRIBUTOR WIRE, 4Cyl	32-34	8.34 ea.
21A-14302	COIL TO DIST WIRE, Passenger & Pickup V8	42-48	4.67 ea.
7RA-14302	COIL TO DIST WIRE, V8, 47-53 Passenger, 47-54 Pickup	47-54	3.95 ea.
HORN WIRE			
11A-14308	HORN WIRE, (62"), Passenger	41-48	7.95 ea.
21A-14308	HORN WIRE, Passenger, Deluxe, & Special	42-48	4.95 ea.
46-14436	HORN MOTOR WIRE, Passenger & Pickup	33-35	8.95 ea.
50-14436A	HORN MOTOR WIRE HARNESS, Pickup	35-37	8.95 ea.
68-14436-A	HORN MOTOR WIRE, 1936-37 Passenger, 1938-50 Pickup	36-50	6.95 ea.
09B-14436	HORN WIRE, Passenger & 40 Pickup	39-47	4.95 ea.
11A-13842D	HORN TO RELAY WIRE, Passenger, 6 & 8 cylinder	41-47	6.30 ea.
01A-3681	HORN WIRE THRU COLUMN, With Button, 40 Passenger, 40-41 Pickup	40-41	13.95 ea.
TURN SIGNAL WIRE			
0A-14492	TURN INDICATOR WIRE	42-50	29.95 ea.
GENERATOR TO REGULATOR HARNESS			
11A-14305-A	GENERATOR TO REGULATOR WIRE, Passenger & Pickup	41-48	24.95 ea.
OIL SENDER TO COWL WIRE			
11A-14322	OIL SENDER TO COWL WIRE	41-48	4.95 ea.
LICENSE LIGHT WIRE			
91A-14415	LICENSE LIGHT WIRE, 1938-48 Passenger, 1939-46 Mercury	38-48	8.43 ea.
TEMPERATURE SENDER CROSS OVER WIRE			
51A-14432	TEMP SENDER WIRE, Passenger, Pickup & 46-48 Mercury	40-50	3.99 ea.
TAILLIGHT SOCKET REPAIR			
40-13410	TAIL LIGHT SOCKET REPAIR KIT	33-48	4.97 kit
01C-13410	TAIL LIGHT SOCKET REPAIR, With Socket	33-48	6.95 ea.
DASH SOCKETS & CLOCK WIRE & SOCKET			
40-13710	DASH SOCKET & WIRING	33-34	5.24 ea.
48-13710	DASH SOCKET & WIRING	36-39	9.80 ea.
01A-15026	CLOCK WIRE & SOCKET	39-40	5.59 ea.
21A-15026-B	CLOCK WIRE & SOCKETS	42-48	9.50 ea.
59A-15026-B	CLOCK WIRE & SOCKET, 3 wire, 2 socket	46-48	29.95 ea.
HEATER MOTOR WIRE			
91A-18457	HEATER MOTOR WIRE, Passenger	39-40	17.73 ea.
21A-18457	HEATER MOTOR WIRE, Passenger	42-46	16.31 ea.
51A-18457	HEATER MOTOR WIRE	46-49	18.45 ea.

32-48 Passenger Cars & 32-47 Pickup Trucks

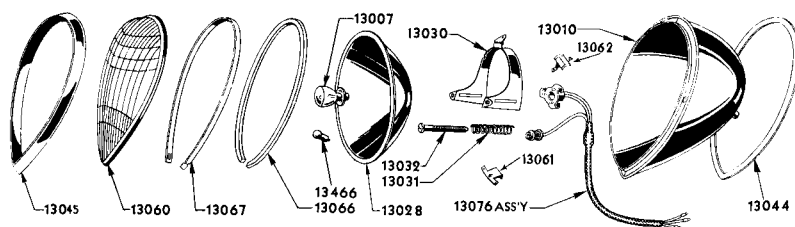
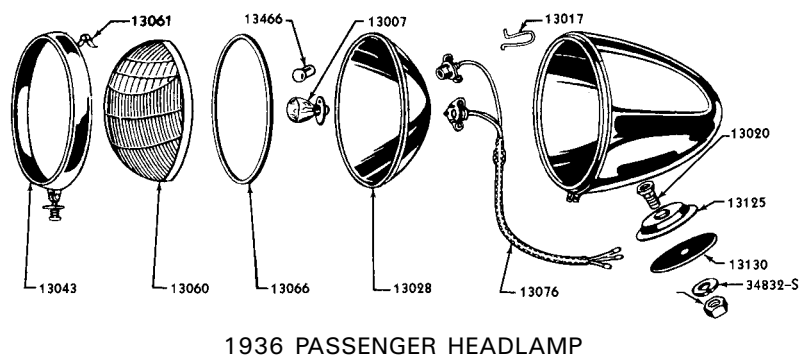
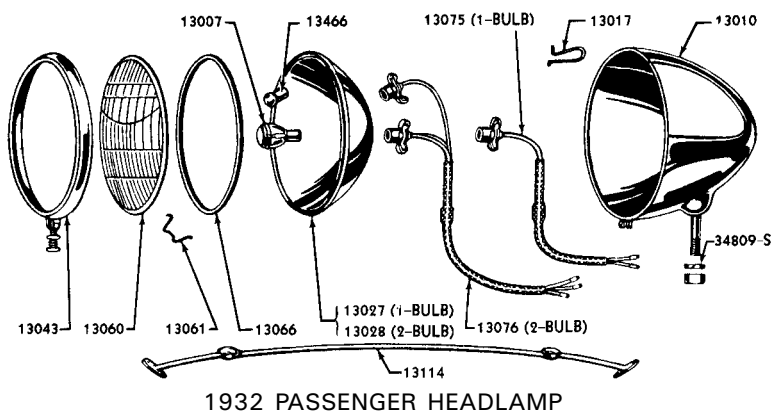
Early Ford
U-8 Sales, Inc.

WIRING SUPPLIES			
B-14486	WIRE TIPS, for custom work (bullet shape), Set of 10	ALL	2.95 set
B-14487	WIRE CONNECTORS, Double female sleeve,	ALL	.45 ea.
59A-14487	CONNECTOR, Double splice	32-53	2.00 ea.
81A-14487	CONNECTORS, Large	32-53	1.75 ea.
B-14586	FRAME CLIP	32-53	.35 ea.
B-14585-H	FRAME CLIPS, Extra height	28-53	.35 ea.
B-14597	HOLLOW FABRIC LOOM, to cover wires, sold per foot	ALL	.60 ft
B-14500	WIRE, 14 gauge, for custom wiring, has that old time look (not plastic). Choice of Black or Green, sold per foot	ALL	.60 ft
MASTER DISCONNECT SWITCH			
A-14300-MS	MASTER DISCONNECT SWITCH	ALL	19.95 ea.
LAMPS / LIGHTS			
HEADLAMP			
B-13000-1S	"FORD" SCRIPT HEADLIGHTS, Stainless Steel, 1 bulb	1932	295.00 pr.
B-13000-2S	"FORD" SCRIPT HEADLIGHTS, Stainless Steel, 2 bulbs	1932	295.00 pr.
B-13000-QS	"FORD" SCRIPT HEADLIGHTS, Stainless Steel, 12V, Quartz	1932	295.00 pr.
40-13000-1S	"FORD" SCRIPT HEADLIGHTS, 1 bulb	33-34	295.00 pr.
40-13000-2S	"FORD" SCRIPT HEADLIGHTS, 2 bulbs	33-34	295.00 pr.
40-13000-QS	"FORD" SCRIPT HEADLIGHTS, 12V, Quartz	33-34	295.00 pr.
D-13000-SBP	DIETZ STYLE HEAD LAMPS, Unpainted	28-36	75.00 pr.
D-13000-SBC	DIETZ STYLE HEADLIGHTS, Chrome plated	28-36	75.00 pr.
HEADLAMP BULB			
B-13007-C	BULB, 32-32 c.p.	28-34	1.35 ea.
B-13007-D	BULB, 50-32 c.p.	28-34	1.45 ea.
48-13007	BULB, Prefocus 6V	35-39	2.50 ea.
48-13007-12V	BULB, 12V	35-39	2.95 ea.
01A-13007-6V	SEALED BEAM, 6V	40-55	10.95 ea.
48-15021-51	HIGH BEAM IND, 40 instrument panel bulb, 39-48 heater switch	39-48	1.50 ea.
01A-13007-FS6	FORD SCRIPT, 6V, Halogen Sealed Beam	40-55	60.00 ea.
01A-13007-FS12	FORD SCRIPT, 12V, Halogen Sealed Beam	40-56	60.00 ea.
HEADLAMP HARDWARE			
01A-13018-HK	SEAL BEAM RETAINER KIT	40-48	4.00 kit
78-13030	REFLECTOR RETAINER RING, Hardware, 3 adjusting screws, springs, 39 Standard	37-39	25.00 ea.
78-13032-HK	HEADLAMP AIM SCREWS, Does 2 Lamps, 39 Standard	37-39	15.00 ea.
78-13061-K	HEADLAMP BUCKET MOUNTING HARDWARE	37-39	15.00 ea.
78-13026-R	HEADLAMP RIM REPAIR BKTS	37-39	6.00 ea.
91A-13030	HEADLAMP REFLECTOR RETAIN RING, 3 adjusting screws, springs, Deluxe Cars	39-39	25.00 ea.
01A-13026-HK	HEADLIGHT RIM REPAIR BRACKETS	40-41	8.00 ea.
78-13061-K	HEADLIGHT BUCKET LENS & RIM MOUNTING KIT	37-39	25.00 kit

ORDERS ONLY 1-800-417-3347

VISA • MASTERCARD • DISCOVER

91A-13061-K	HEADLAMP BUCKET HDWR MTG KIT, Deluxe	39-39	15.00 kit
01A-13026-R	HEADLAMP RIM REPAIR BRACKETS, 1940	40-40	8.00 ea.
01A-13032-HK	SEALED BEAM ADJUSTING KIT	40-41	20.00 kit



Basic numbers only shown on illustration.
Order by Part Numbers shown in list of parts

HEADLIGHT BUCKETS

Perfect shape baked on enamel finish. They include: Housing, Reflector Retainer, Special Adjusting Screws and Springs and Springs (3 each), Brackets, Lens & Headlight Rim Mounting, Black Wire Flex Conduit (mounted to bucket with collars), Gasket and Retainer Bail for Headlight Lens, Gasket (Bucket to Fender), Screws and Lock Washers (mounts bucket to fender, 4 each).

78-13026	HEADLIGHT BUCKET, 1937-38 & 39 Standard	37-39	125.00 ea.
91A-13026	HEADLIGHT BUCKET, Deluxe only	1939	125.00 ea.
01A-13026	HEADLIGHT BUCKET, 1940 all, 40-41 Pickup	40-41	75.00 ea.
01A-13026-HK	HEADLIGHT BUCKET MOUNTING KIT	37-41	4.00 kit

32-48 Passenger Cars & 32-47 Pickup Trucks

HEADLAMP REFLECTORS			
B-13027	REFLECTOR, 1 bulb	1932	30.00 ea.
B-12028	REFLECTOR, 2 bulb	1932	30.00 ea.
40-13027	REFLECTOR, 1 bulb	33-34	30.00 ea.
40-13028	REFLECTOR, 2 bulb	33-34	30.00 ea.
48-13028	REFLECTOR, Passenger, also fits Pickup & Truck 35-39	35-36	30.00 ea.
78-1302	REFLECTOR	37-39	30.00 ea.
78-13030	HEADLAMP REFLECTOR RETAINER KIT, 37-38, 39 Standard	37-39	40.00 kit
91A-13030	HEADLAMP REFLECTOR RETAINER KIT, 39 DELUXE	39-39	40.00 kit
B-13066	REFLECTOR GASKETS	28-36	1.50 ea.
78-13066	REFLECTOR GASKETS	37-39	1.50 ea.
48-13031	REFLECTOR RETAINING CLIPS SET	35-36	10.00 set
HALOGEN CONVERSION KITS			
	<i>Kit consists of new reflectors that are the ultimate for night driving with a special coating brighter than Chrome. Included are the halogen bulbs and all that is needed to make a conversion for two headlamps. Above kits also available without reflectors, B-13026-QH 12 Volt \$35.00, B-13026-QH 6 Volt \$35.00.</i>		
B-13027-QK-6	HALOGEN BULB REFLECTOR KIT	32-32	85.00 kit
B-13027-QK-12	HALOGEN BULB REFLECTOR KIT, 12 volt	32-32	80.00 kit
40-13027-QK-6	HALOGEN BULB REFLECTOR KIT, 6 volt	33-34	85.00 kit
40-13027-QK-12	HALOGEN BULB REFLECTOR KIT, 12 volt	33-34	90.00 kit
48-13027-QK-6	HALOGEN BULB REFLECTOR KIT, 6 volt, Passenger	35-36	80.00 kit
48-13027-QK-12	HALOGEN BULB REFLECTOR KIT, 12 volt, Passenger	35-36	80.00 kit
48-13027-QK12-TS	HALOGEN BULB REFLECTOR KIT, With turn signal sockets <i>(Above kits fit Commercial vehicles 1935-39)</i>	35-36	95.00 kit
78-13027-QK-6	HALOGEN BULB REFLECTOR KIT, 6 volt, Passenger	37-39	80.00 kit
78-13027-QK-12	HALOGEN BULB REFLECTOR KIT, 12 volt, Passenger	37-39	95.00 kit
78-13027-QK-12-TS	HALOGEN BULB REFLECTOR KIT with turn signal sockets	37-39	95.00 kit
HALOGEN BULBS			
B-13007-Q12	QUARTZ HALOGEN BULB, 12 volt	28-39	10.00 ea.
B-13007-Q6	QUARTZ HALOGEN BULB, 6 volt	28-39	15.00 ea.
HEADLIGHT BUCKET TO FENDER GASKETS			
8-13044	HEADLAMP BUCKET TO FENDER GASKET, also fits 39 Standard	37-38	3.50 ea.
91A-13044	HEADLAMP BUCKET TO FENDER GASKET, Deluxe	1939	3.50 ea.
01A-13044	HEADLAMP BUCKET TO FENDER GASKET, Passenger & 40-41 Pickup	1940	3.50 ea.
11A-13044	HEADLAMP BUCKET TO FENDER GASKET, Passenger & 42-56 Pickup	41-53	3.50 ea.
HEADLAMP RIMS & HARDWARE			
01A-13045-B	HEADLAMP RIMS, By Vintique, 40 Deluxe & Mercury, 40-41 Pickup	1940	135.00 pr.
01A-13045-B	HEADLAMP RIMS, By Drake	40-41	145.00 ea.
01A-13045-AN	HEADLAMP RIM, Smoothy	40-41	95.00 ea.
01A-13045-A	HEADLAMP RIM, Raw	40-41	95.00 ea.

ORDERS ONLY 1-800-417-3347

11A-13045	HEADLAMP RIM, Passenger	40-41	30.00 ea.
6A-13045	HEADLAMP OUTER RIM, Passenger	47-48	29.95 ea.
40-13001	HEADLAMP OUTER RIM, Stainless Steel	33-34	25.00 ea.
40-13001-1R	HEADLAMP INNER RING	33-34	10.00 ea.
78-13001-RM	HEADLAMP RIM, 37-39 Standard	37-39	30.00 ea.
01A-13026-S	HEADLAMP RIM SCREWS	1940	1.50 ea.
A-13040-S	HEADLAMP SHELL MOUNTING KIT	28-34	5.50 kit
A-13044-ASS	HEADLAMP RIM LATCH REPAIR KIT	33-34	4.95 kit
A-13044-BSS	HEADLAMP RIM LATCH REPAIR KIT	30-32	4.95 kit
21T-13045	HEADLAMP RIM, Stainless Steel, Pickup	42-47	29.95 ea.
HEADLAMP LENS			
B-13060	HEADLAMP LENS, 1932 Passenger & Pickup	1932	20.00 ea.
40-13060	HEADLAMP LENS, 1933-34 Passenger & Pickup	33-34	20.00 ea.
48-13060	HEADLAMP LENS, 1935 Passenger & 35-39 Pickup	35-39	20.00 ea.
68-13060	HEADLAMP LENS	1936	20.00 ea.
78-13060	HEADLAMP LENS	37-39	20.00 ea.
81A-13060-S	HEADLAMP LENS, 38 & 39 Standard	38-39	20.00 ea.
91A-13060	HEADLAMP LENS, 39 Deluxe Cars	39-39	20.00 ea.
HEADLAMP LENS HARDWARE			
B-13061-S	HEADLAMP LENS RETAINER CLIP SET	28-32	2.50 set
40-13061-S	HEADLAMP LENS RETAINER CLIP SET	33-34	2.00 set
48-13061-S	HEADLAMP LENS RETAINER CLIP SET	35-36	2.50 set
B-13065	HEADLAMP CONNECTOR	32-32	4.00 ea.
78-13067	HL LENS RETAINER BAIL	37-39	12.00 pr.
HEADLAMP SOCKETS & WIRING			
B-13076	SOCKET & WIRING, for one lamp	1932	13.95 ea.
46-13076-B	SOCKET & WIRING, 2 bulb lamp	33-34	14.50 ea.
48-13076-B	SOCKET & WIRING, Pickup 35-39	35-36	15.50 ea.
91A-13076	SOCKET & WIRING	37-39	16.00 ea.
01A-13076	SOCKET & WIRING, Pickup 40-41	1940	17.22 ea.
11A-13076	SOCKET & WIRING, Pickup 42-47	41-48	13.95 ea.
01A-13076-V	SOCKET & PIGTAIL	40-72	4.95 ea.
51C-13076B	SOCKET & WIRING, 46-50 Pickup, 1949 Passenger	46-50	10.95 ea.
51C-13076B/G	SOCKET & WIRING, With Grommet	46-50	16.95 ea.
HEADLIGHT BAR BOLT			
B-13119-BK	HEADLIGHT BAR BOLTS, to fender, Black oxide, Pickup 32-34	1932	4.50 ea.
B-13119-SS	HEADLIGHT BAR BOLTS, Stainless Steel	1932	7.50 ea.
40-13119-BK	HEADLIGHT BAR BOLTS	33-34	5.00 ea.
40-13119-SSNH	HEADLIGHT BAR BOLT, Stainless Steel, No hole for wire	33-34	7.50 ea.
40-13119-SS	HEADLIGHT BAR BOLTS, Stainless Steel	33-34	6.76 ea.

32-48 Passenger Cars & 32-47 Pickup Trucks

Early Ford
V-8 Sales, Inc.

HEADLAMP TO FENDER PADS			
B-13130	PADS, Headlamp bar to fender, Pickup	32-34	7.00 pr.
40-13130	PADS, Headlamp to fender, Pickup 35-37	1933-34	7.00 pr.
48-13130	PADS, Headlamp to fender	1935	7.00 pt
68-13130	PADS, Headlamp to fender	1936	6.00 pr.
81C-13130	PADS, Headlamp to fender, Pickup	38-39	7.00 pr.
HEADLAMP BAR "V8" EMBLEM 1932			
18-13122	HEADLIGHT BAR "V8" EMBLEM, by Drake, Passenger & Commercial	32-32	25.00 ea.
DIMMER SWITCH			
81A-13532	DIMMER SWITCH, Mounts on floor	38-48	15.95 ea.
81A-13580	HIGH BEAM JEWEL SOCKET	38-47	22.50 ea.
81A-13583	HIGH BEAM JEWEL	1939	10.50 ea.
HEADLIGHT SWITCH AND LIGHT SWITCH BODY HOUSING			
01A-11652	HEADLIGHT SWITCH, With wire	40-40	35.00 ea.
7RA-11654	HEADLIGHT SWITCH, Passenger 47-48, Pickup 42-50	42-50	15.00 ea.
B-11655-S	LIGHT SWITCH BODY HOUSING, at base of steering column	28-39	16.50 ea.
DOME LAMP			
A-13769	DOME LIGHT SWITCH	28-48	6.95 ea.
A-13770	ESCUTCHEON PLATE, for above switch	28-48	1.80 ea.
A-13771	DOME LAMP, Round, requires separate switch	28-48	39.75 ea.
A-13771-WS	DOME LAMP, Round, With switch on rim	28-48	39.75 ea.
A-13771-S	SWITCH, Door Pillar Post	28-48	4.75 ea.
A-13771-C	DOME LIGHT SNAP RING, holds lens in place	28-37	5.00 ea.
A-13771-G	DOME LIGHT LENS, White glass	28-37	8.50 ea.
01A-13779-C	DOME LIGHT ASSEMBLY, Chrome Rim	37-40	25.00 ea.
01A-13779-P	DOME LIGHT ASSEMBLY, Brown Rim	37-40	25.00 ea.
81A-13783	DOME LAMP LENS, Passenger	38-40	5.00 ea.
A-13466	BULB, 3 c.p.	28-48	.85 ea.
COWL LAMP			
B-13302	COWL LAMPS, Stainless Steel housings	1932	95.00 pr.
40-13302	COWL LAMPS, Stainless Steel housings	33-34	95.00 pr.
B-13302-TS	COWL LAMPS, Stainless Steel housings, With turn signals	1932	100.00 pr.
40-13302-TS	COWL LAMPS, Stainless Steel housings, With turn signals	33-34	100.00 pr.
B-13308	LENS	1932	6.00 ea.
40-13308	LENS	33-34	6.00 ea.
B-13309	LENS GASKET	1932	1.50 pr.
40-13309	LENS GASKET	33-34	1.50 pr.
A-13316	LENS RETAINING CLIP, Set for 2 lamps	28-34	1.65 set
40-13322	COWL LAMP ARMS, Show quality	34-34	45.00 pr.
B-13324-A	PADS, Cowl lamp arm to cowl	1932	5.00 pr.

ORDERS ONLY 1-800-417-3347

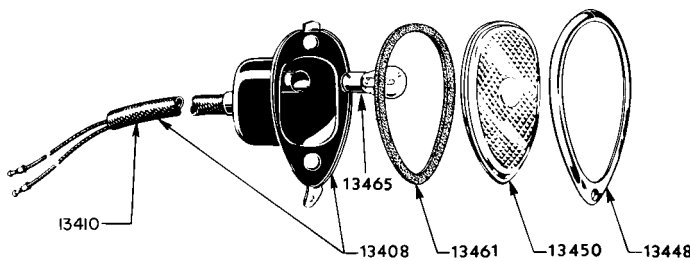
VISA • MASTERCARD • DISCOVER

B-13324-B	PADS, Cowl lamp arm to cowl for 3 Window Coupe	1932	5.00 pr.
40-13324	PADS, Cowl lamp arm to cowl	33-34	5.00 pr.
TURN SIGNALS			
U-13340-TS	TURN SIGNAL KIT, Universal application with instructions	28-56	23.50 kit
B-13303-TS	COWL LAMP TURN SIGNAL CONVERSION KIT	1932	35.00 kit
40-13303-TS	COWL LAMP TURN SIGNAL CONVERSION KIT	33-34	35.00 kit
40-13200-T	HORN TURN SIGNAL CONVERSION KIT	33-35	25.00 kit
78-13026-TS12	TURN SIGNAL CONVERSION KIT	37-40	25.00 kit
01A-13200-T	TURN SIGNAL CONVERSION KIT	40-41	30.00 kit
BE-14492/6v	COMPLETE TURN SIGNAL KIT, With wiring & instructions	28-56	139.95 kit
A-13310-USA	TURN SIGNAL, USA Made, Best Available	28-55	54.95 ea.
PARKING LIGHTS			
350786-57	PARKING LAMP LENS CLIPS	40-41	3.00 ea.
01A-13082-G	PARKING LIGHT LENS	1940	8.00 ea.
11A-13082-G	PARKING LAMP LENS	1941	9.95 ea.
11C-13082-G	PARKING LAMP LENS, Pickup	1941	6.95 ea.
6A-13082	PARKING LAMP LENS	47-48	8.95 ea.
PARKING LIGHT LENS BEZELS 1940 FORD			
01A-13084	PARKING LIGHT LENS BEZELS WITH CLIPS	40-41	45.00 pr.
350786-57	BEZEL CLIPS	40-41	3.00 ea.
PARKING LIGHT LENS GASKETS			
01A-13085-G	PARK LIGHT LENS GASKET	40-41	3.50 pr.
21A-13211	PARK LIGHT LENS GASKET	42-46	2.50 pr.
21T-13211	PARK LIGHT LENS GASKETS, Passenger 47-8, Pickup 42-7	42-47	2.00 pr.
PARKING LIGHT TO FENDER PADS			
11A-13217	PARKING LIGHT RUBBER PADS	1941	8.95 pr.
21T-13217	PARKING LIGHT HOUSING TO BODY PADS, Passenger 47-8, Pickup 42-47	42-47	3.00 pr.
PARKING LIGHT SOCKET RUBBER BOOT			
6A-13225	PARKING LIGHT BOOTS, 42-51 Passenger & 42-47 Pickup	42-51	17.50 pr.
PARKING LIGHT ASSEMBLY, PASSENGER			
11A-13200	PARKING LIGHT ASSEMBLY COMPLETE, Foreign Made	1941	39.95 ea.
6A-13200	PARKING LIGHT ASSEMBLY, Complete, 47-48 Passenger, 42-47 Pickup	47-48	33.95 ea.
PARKING LIGHT SOCKETS			
BAAA-13410	PARKING LIGHT SOCKET & WIRE ASSEMBLY, Passenger, 48-56 Pickup (Pickups use this socket when you have signal lights or are adding signal lights)	48-56	6.00 ea.
78-13466-5S	PARKING LIGHT BULBS, Clock bulb	37-40	1.50 ea.

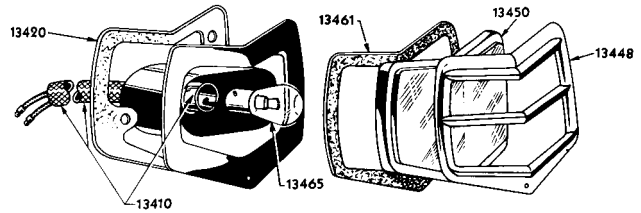
REAR LICENSE PLATE BRACKETS

A-13406-B	REAR LICENSE PLATE BRACKET, Black, 1932-56 Pickup	28-56	15.00 ea.
A-13406-SS	REAR LICENSE PLATE BRACKET, Stainless Steel, 1932-56 Pickup	28-56	23.00 ea.
B-13406-B	REAR LICENSE PLATE BRACKET, Black	1932	16.00 ea.
B-13406-SS	REAR LICENSE PLATE BRACKET, Stainless Steel	1932	23.00 ea.
40-13406-B	REAR LICENSE PLATE BRACKET, Passenger & Pickup	33-36	12.00 ea.
40-13406-SS	REAR LICENSE PLATE BRACKET, Stainless Steel	33-36	23.00 ea.
78-13406-B	REAR LIC PLATE BRACKET, Black	37-37	20.00 ea.
01A-13406-B	REAR LICENSE PLATE BRACKET, Black	38-48	15.00 ea.
01A-13406-SS	REAR LICENSE PLATE BRACKET, Stainless Steel	38-48	23.00 ea.

TAIL LAMP



1938-39 FORD PASSENGER REAR LAMP
(81A-13405)



1940 FORD PASSENGER REAR LAMP
(01A-13405)

TAIL LAMPS

B-13407	TAIL LAMP, Right, Stainless Steel	1932	27.50 ea.
B-13408	TAIL LAMP, Left, Stainless Steel	1932	27.50 ea.
B-13407-B	TAIL LAMP, Right, Black, all Trucks & Wagons	32-42	27.50 ea.
B-13408-B	TAIL LAMP, Left, Black, all Trucks & Wagons	32-42	27.50 ea.
40-13407	TAIL LAMP, Right, Stainless Steel	33-34	27.50 ea.
40-13408	TAIL LAMP, Left, Stainless Steel	33-34	27.50 ea.
48-13407	TAIL LAMP, Right, Black	35-36	27.50 ea.
48-13408	TAIL LAMP, Left, Black	35-36	27.50 ea.
78-13407	TAIL LAMP, Right	1937	36.50 ea.
78-13408	TAIL LAMP, Left	1937	36.50 ea.
81A-13407	TAIL LAMP, Right or Left	38-39	27.50 ea.
01A-13407	TAIL LAMP, Right or Left	1940	25.00 ea.
01C-13402-DR	TAIL LAMP, Right, Black, Pickup & Station Wagon	46-52	27.50 ea.
01C-13403-DL	TAIL LAMP, Left, Black, Pickup & Station Wagon	46-52	27.50 ea.
11A-13407	TAIL LAMP, Right	1941	60.00 ea.
11A-13408	TAIL LAMP, Left	1941	60.00 ea.
21A-13408	TAIL LAMP, Right or Left	42-48	27.50 ea.

TAIL LAMP SOCKETS & REPAIR KITS

B-13412	SOCKET REPAIR WIRES, for B-13407; B-13408; B-13407-B; B-13408-B		3.25 ea.
40-13410	SOCKET REPAIR KIT, No Socket	33-48	4.00 kit
01C-13410	TAIL LIGHT SOCKET & WIRE	33-48	5.50 ea.

ORDERS ONLY 1-800-417-3347

TAIL LAMP CROSS OVER WIRE			
B-14424	CROSSOVER WIRE LOOM, to wire Right tail lamp from Left	32-40	14.06 ea.
B-14487	WIRE CONNECTORS, Double female sleeve type	28-48	.35 ea.
TAIL LAMP GASKETS			
B-13460	GASKETS, for red lens, Pickup & Wagon 32-42	1932	3.00 pr.
40-13460	GASKETS, for red lens, 1945-1952 Pickup	33-52	3.00 pr.
78-13460	GASKETS, for red lens	1937	3.00 pr.
81A-13460	GASKETS, for red lens	38-39	3.00 pr.
01A-13460	GASKETS, for red lens	1940	3.00 pr.
11A-13460	GASKETS, for red lens	1941	3.00 pr.
21A-13460	GASKETS, for red lens	42-48	3.00 pr.
TAIL LAMP LENS			
B-13450	TAIL LAMP LENS, Red, 32 Passenger & 32-42 Pickup	32-42	6.00 ea.
40-13450	TAIL LAMP LENS, Red, 33-36 Passenger & 45-52 Pickup	33-52	6.75 ea.
78-13450	TAIL LIGHT LENS, Red, Passenger	37-37	6.00 ea.
81A-13450	TAIL LAMP LENS, Red	38-39	6.75 ea.
01A-13450	TAIL LAMP LENS, Red	1940	6.00 ea.
11A-13450	TAIL LAMP LENS, Red	1941	6.00 ea.
21A-13450	TAIL LAMP LENS, Red	42-48	6.00 ea.
TAIL LAMP LENS - BLUE DOTS			
B-13450-BD	TAIL LAMP LENS, With Blue Dot, 32 Passenger & 32-42 Pickup	32-42	12.00 ea.
40-13450-BD	TAIL LAMP LENS, With Blue Dot, 33-36 Passenger & 45-52 Pickup	33-52	12.00 ea.
78-13450-BD	TAIL LAMP LENS, With Blue Dot	1937	12.00 ea.
81A-13450-BD	TAIL LAMP LENS, With Blue Dot	38-39	12.00 ea.
01A-13450-BD	TAIL LAMP LENS, With Blue Dot	1940	12.00 ea.
11A-13450-BD	TAIL LAMP LENS, With Blue Dot	1941	12.00 ea.
21A-13450-BD	TAIL LAMP LENS, With Blue Dot	42-48	12.00 ea.
TAIL LAMP LENS PICKUP SHIELDED LAMPS			
BD-13450-G	BLUE DOTS, Glass with Chrome Rims	28-53	7.00 ea.
TAIL LIGHT RIMS			
B-13448	TAIL LAMP RIM, Stainless Steel	1932	6.00 ea.
40-13448	TAIL LAMP RIM, Stainless Steel	33-36	5.50 ea.
78-13448	TAIL LAMP RIM, Stainless Steel	37-37	7.00 ea.
81A-13448	TAIL LAMP RIM, Stainless Steel	38-39	5.50 ea.
01A-13448	TAIL LAMP RIM, Stainless Steel	1940	8.50 ea.
21A-13448	TAIL LAMP RIM, Stainless Steel	42-48	7.00 ea.

32-48 Passenger Cars & 32-47 Pickup Trucks

TAIL LAMP BULBS			
B-13465	BULB, 21 c.p., Single contact, Commercial & Wagon 32-40	1932	1.00 ea.
B-13466	BULB, 3 c.p., Single contact, Commercial & Wagon 32-40	1932	1.00 ea.
40-13465	BULB, Double contact, mfg #1158	33-36	2.75 ea.
11A-13465	BULB, Double contact, mfg #1154	37-54	1.00 ea.
78-13466	BULB, Parking lamp, 37-40 Passenger & 38-41 Truck, also used instrument panel 41-48 and radio 46-48	37-48	2.00 ea.
78-13466-12V	BULB, Parking lamp, 12 Volt, 37-40 Passenger & 38-41 Truck, also used instrument panel 41-48 and radio 46-48	37-56	1.00 ea.
48-15021-51	INSTRUMENT PANEL BULB	1940	1.75 ea.
HALOGEN TAIL LIGHT BULBS			
	<i>Install in existing socket.</i>		
B-13466-Q12	HALOGEN TAIL LIGHT BULB, Single filament, 12V	28-55	10.00 ea.
11A-13466-Q12	HALOGEN TAIL LIGHT BULB, Double filament, offset pins, 12V	28-56	12.50 ea.
B-13466-Q6	HALOGEN TAIL LIGHT BULB, Single filament, 6 volt	28-55	12.50 ea.
11A-13466-Q6	HALOGEN TAIL LIGHT, Double filament, offset pins, 6 volts	28-55	15.00 ea.
TAIL LAMP BRACES			
40-13463	TAIL LAMP BRACE	33-34	20.00 ea.
48-16360	TAIL LAMP BRACE, Right Hand	1935	25.00 ea.
48-16361	TAIL LAMP BRACE, Left Hand	1935	25.00 ea.
68-16360	TAIL LAMP BRACE, Right Hand	1936	25.00 ea.
68-16361	TAIL LAMP BRACE, Left Hand	1936	25.00 ea.
TAIL LAMP BRACKETS			
B-13470-B	TAIL LAMP BRACKET, Either side, Pickup	29-37	7.75 ea.
B-13471	TAIL LAMP BRACKET, Left side, Passenger	1932	30.00 ea.
BF-13471	TAIL LAMP BRACKET, Right side, Passenger	1932	30.00 ea.
40-13470	TAIL LAMP STAND, Right side, Passenger	33-34	30.00 ea.
40-13471	TAIL LAMP STAND, Left side, Passenger	33-34	30.00 ea.
78-13470	TAIL LAMP STAND, Right side, Passenger	1937	35.00 ea.
78-13471	TAIL LAMP STAND, Left side, Passenger	1937	35.00 ea.
91C-13471	TAIL LAMP BRACKET, for Pickup with no Rear bumper	38-56	9.95 ea.
91C-13471-SS	TAIL LAMP BRACKET, Stainless Steel, for Pickup with no bumper	38-56	15.00 ea.
81Y-13471	TAIL LAMP BRACKET, for Pickup with Rear bumper	38-56	9.95 ea.
81Y-13470-SS	TAIL LAMP BRACKET, Right Hand, Stainless Steel, Pickup with bumper	38-56	15.00 ea.
81Y-13471-SS	TAIL LAMP BRACKET, Left Han, Stainless Steel, Pickup with bumper <i>For 81Y-13471 specify if drivers side (left) or Passenger side (Right).</i>	38-56	15.00 ea.
TAIL LAMP WEATHERSHIELD			
B-13467	WEATHERSHIELD, Mounts behind bracket on Trucks & Wagon	29-56	6.00 ea.
B-13467-SS	WEATHERSHIELD, Tail lamp wire shield, Stainless Steel, Pickup & Wagon	29-56	8.00 ea.

ORDERS ONLY 1-800-417-3347

STOP LAMP SWITCH			
48-13480	STOP LIGHT SWITCH, Passenger & Comm	35-38	14.95 ea.
11A-13480	STOP LAMP SWITCH, Mounts on master cylinder, for all with hydraulic brakes	39-66	6.95 ea.
LICENSE PLATE WHITE LENS, ON LOWER DECK LID			
B-13445	TAIL LAMP LICENSE PLATE LIGHT LENS, 32 Passenger & 32-42 Pickup	28-42	3.00 ea.
40-13445	TAIL LAMP LICENSE PLATE LIGHT LENS, 33-36 Passenger & 45-52 Pickup	33-52	5.00 ea.
78-13445	TAIL LAMP LICENSE PLATE LIGHT LENS	1937	5.00 ea.
99A-13564	WHITE LENS, 39-40 Mercury	40-48	5.00 ea.
LICENSE PLATE LENS GASKETS			
B-13447	GASKET, for white lens	29-32	1.00 ea.
40-13447	GASKET, for white lens	33-36	1.00 ea.
78-13447	GASKET, for white lens	1937	1.00 ea.
81A-13568	GASKET, for white lens	38-39	1.00 ea.
01A-13568/9	GASKET, for white lens, 2 piece	40-48	1.25 ea.
LICENSE LIGHT LENS RETAINER HARDWARE			
B-13446-K	LICENSE PLATE LIGHT LENS RETAINER KIT	28-32	2.00 kit
40-13446-K	LICENSE PLATE LIGHT LENS RETAINER KIT	33-36	2.00 kit
TAIL LAMP TO FENDER RUBBER PADS			
40-13520	PADS	33-34	7.00 pr.
48-13520	PADS	1935	7.00 pr.
68-13520	PADS	1936	7.00 pr.
78-13520	PADS	1937	7.00 pr.
81A-13520	PADS	38-39	7.00 pr.
01A-13520	PADS	1940	7.00 pr.
11A-13520	PADS	1941	7.00 pr.
21A-13520	PADS	42-48	7.00 pr.
TAIL LIGHT SCREWS			
B-13466-S	TAIL LIGHT SCREWS	1932	3.00 ea.
40-13466-S	TAIL LIGHT SCREWS	33-37	3.00 ea.
DASH LIGHT DIMMER SWITCHES			
01A-13740-A	DASH LIGHT DIMMER, Standard & Pickup	40-40	20.00 ea.
01A-13740-B	DASH LIGHT DIMMER, Deluxe, Passenger	40-40	20.00 ea.
51A-13740-A	DASH LIGHT DIMMER, Chocolate Knob	46-46	20.00 ea.
51A-13740-B	DASH LIGHT DIMMER, Blue Grey Knob, Super Deluxe	1946	20.00 ea.

32-48 Passenger Cars & 32-47 Pickup Trucks

HORN			
B-13805	HORN BRACKET, Holes need to be drilled	1932	7.50 ea.
40-13830	HORN BRACKET, Right	33-34	20.00 ea.
40-13831	HORN BRACKET, Left	33-34	20.00 ea.
48-13830	HORN BRACKET, Right	1935	30.00 ea.
48-13831	HORN BRACKET, Left	1935	30.00 ea.
50-13830	HORN BRACKET, Right, Pickup	35-36	30.00 ea.
50-13831	HORN BRACKET, Left, Pickup	35-36	30.00 ea.
68-13830	HORN BRACKET, Right	1936	30.00 ea.
68-13831	HORN BRACKET, Left	1936	30.00 ea.
B-13829-S	HORN BRACKET REPAIR KIT, Springs & rivets	33-40	6.00 kit
40-13840	HORN SCREEN	33-34	3.50 ea.
48-13840	HORN SCREEN, 35 Passenger, 35-37 Pickup	35-37	4.00 ea.
91A-13912	HORN GROMMETS, Insulators horn trumpets	39-48	3.95 pr.
68-13156	HORN GRILL TO FENDER RUBBER PADS	1936	8.00 pr.
68-16156-A	HORN GRILL, Stainless Steel	1936	20.00 ea.
40-13809-L	HORN COVER, Left	33-37	19.95 ea.
40-13809-R	HORN COVER, Right	33-37	19.95 ea.
48-13810	HORN PROJECTOR, 35 Passenger, 35-39 Pickup	35-39	69.95 ea.
HORN RELAY			
FAA-13853	HORN RELAY, 6 volt	37-56	7.95 ea.
CLOCK MOUNTING KIT			
01A-15001-B	CLOCK MOUNTING KIT	1940	11.95 kit
HOOD & RADIATOR LACING KITS			
RADIATOR SHELL LACING			
B-16739-S	Passenger & 32-34 Pickup	1932	10.00 ea.
40-16739-S	Passenger	33-34	10.00 ea.
48-16739-S	Passenger, 35-37 Pickup	1935	10.00 ea.
50-16739-S	Pickup	35-37	10.00 ea.
68-16739-S		1936	8.95 ea.
81C-16739-S	Pickup	38-39	10.00 ea.

ORDERS ONLY 1-800-417-3347

COWL LACING KITS			
B-16740	Passenger & 32-34 Pickup	1932	12.50 kit
40-16740	Passenger	33-34	12.50 kit
48-16740	Passenger	1935	12.50 kit
50-16740	Pickup	35-37	9.50 kit
68-16740	Passenger	1936	12.50 kit
78-16740	Passenger & 38-41 Pickup	37-40	8.95 kit
11A-16740	Passenger	41-48	8.95 kit
21C-16740	Pickup Trucks <i>All kits include installation hardware.</i>	42-56	15.00 kit
78-16746/7	HOOD HINGE RUBBER PADS	37-41	5.00 pr.
81A-16750-RK	HOOD SIDE MOUNT KIT, Passenger	38-39	27.50 kit
COWL TO FIREWALL SEAL 1932			
B-35336	SEAL, Cowl to Firewall	1932	14.95 ea.
FIREWALL			
FIREWALL/FLOOR INSULATION			
	<i>Jute padding material with a space age relective foil bonded to one side. Used in kick panels, rumble seat panels, in doors, under carpeting etc. 48"x72"x 5/16 thick.</i>		
HR-700770	HOT ROD INSULATION	ALL	29.00 ea.
FIREWALL GROMMETS			
B-700731	FIREWALL GROMMET SET, Includes rubber plugs	1932	14.50 set
40-700731	FIREWALL GROMMET SET, Includes rubber plugs	33-34	7.95 set
48-700731	FIREWALL GROMMET, Main wiring loom	35-48	6.95 ea.
B-14605	FIREWALL GROMMET, Hood pull cable	41-48	1.00 ea.
01A-17265	FIREWALL GROMMET, Hand brake & speedo cables	39-40	3.00 ea.
11A-17265	FIREWALL GROMMET, Hand brake & speedo cables	41-48	5.00 ea.
48-700731	FIREWALL GROMMET, Dash Wiring Grommet Thru Firewall <i>SEE PAGE 57 FOR CHOKE & THROTTLE RODS THRU FIREWALL & THRU INSTRUMENT PANEL</i>	35-48	4.95 ea.

BODY

Fenders, Running Boards, Radiator, Hood, Speedometer, Windshield Wiper, Mirrors, Bumpers, Shock Absorbers, Luggage Racks, Patent & Body Plates, Antenna, Heater Parts

FENDERS

We offer both Front & Rear steel fenders for 1932-34 Fords. These fenders are like the originals in every way, correct contour and fit. They feature the original wire reinforced outer bead. They are die stamped, heavy gauge steel, ready for final fitting and paint. We also offer a complete line of 1926-1948 fiberglass fenders and bodies for your Street Rod or Restoration Project. Please call us with your needs.

NOTE: Front fenders can only be shipped by truck, they're too large for UPS. Save money by arranging to Pickup at one of the swap meets we attend.

1933-1934 FRONT FENDER TIE BRACKETS

40-16088-B	FRONT FENDER TIE BRACKETS, Painted Black	33-34	17.50 ea.
40-16088-C	FRONT FENDER TIE BRACKETS, Chrome plated	33-34	20.00 ea.

FENDER SKIRTS

EF-12	FENDER SKIRTS, Fiberglass, 35-36 Passenger, 38-47 Pickup	35-47	550.00 pr.
EF-11	FENDER SKIRTS, Fiberglass	37-40	550.00 pr.
0A1-18990	FENDER SKIRT, Rubber Original Skirts	40-51	8.00 ea.

FENDER MOUNTING HARDWARE

10265	REAR FENDER TO BED BOLT, Steel With Large Flat Head for Pickups	31-66	1.25 ea.
B-16026-BK	FRONT FENDER TO FENDER BRACE BOLT SET	33-34	1.50 set
B-16026-SS	FRONT FENDER TO FENDER BRACE BOLT SET, Stainless Steel	33-34	2.00 set

FENDER BRACES

B-16025	FRONT FENDER BRACE, Passenger & Pickup	1932	21.50 ea.
40-16047/8	FRONT FENDER BRACE, Large	33-34	95.00 pr.
40-16067-B	FRONT FENDER BRACE SUPPORT	33-34	10.00 ea.
40-16094	FRONT FENDER BRACE, Just in Front of running board	33-34	15.00 ea.
48-16067	FRONT FENDER BRACE, Right Hand, Small, 39 Standard	35-39	10.00 ea.
48-16068	FRONT FENDER BRACE, Left Hand, Small, 39 Standard	35-39	10.00 ea.
68-16094	FRONT FENDER BRACE	35-36	20.00 ea.
50-16094	FRONT FENDER BRACE, Pickup only	35-37	20.00 ea.
78-16094	FRONT FENDER BRACE, also fits 39 Standard	37-38	20.00 ea.
40-16341	REAR FENDER BRACE	33-34	20.00 ea.
48-16341	REAR FENDER BRACE, also fits 1937-38 Sedan Delivery	35-36	22.50 ea.
50-16341	REAR FENDER BRACE, Pickup	35-37	20.00 ea.
78-16341	REAR FENDER BRACE, all Passenger Except Wagon	37-41	20.00 ea.
81C-16341	REAR FENDER BRACE, for Pickup Only	38-41	20.00 ea.
01C-16094	FRONT FENDER BRACE, Pickup	40-41	20.00 ea.

ORDERS ONLY 1-800-417-3347

INNER FENDER PANELS & APRONS			
40-16082/3	INNER FRONT FENDER PANELS, Steel, USA Made	33-34	229.95 pr.
40-41000	INNER REAR FENDER PANELS, Steel, USA Made	33-34	95.00 pr.
01A-16082/3	INNER FRONT FENDER APRONS, 39 Deluxe, 40 Passenger, 40-41 Pickup	39-41	325.00 pr.
91A-16084-S	INNER FRONT FENDER APRON BOLT SET, 39-40 Passenger, 40-41 Pickup, 48-52 Pickup	39-52	12.50 ea.
FENDER BRACE PANELS			
<i>These panels fit behind each wheel, protecting the inner fender as well as supporting it. They are sold as a pair where noted and come painted black, ready for installation.</i>			
91A-16088/9	FENDER BRACE PANEL, Front, 1939 Deluxe, 40 Passenger, 40-41 Pickup	39-41	65.00 ea.
11A-16094-A	FENDER BRACE PANEL, Front	41-41	50.00 ea.
21A-16094	FENDER BRACE PANEL, Front	42-48	65.00 pr.
21A-16341-A	FENDER BRACE PANEL, Rear, Left	42-48	45.00 ea.
11A-16340-A	FENDER BRACE PANEL, Rear, Right	41-48	30.00 ea.
FENDER HARDWARE			
48-16007-SK	FENDER BOLT KIT	35-48	5.00 kit
91A-16084-S	FRONT INNER SPLASH APRON TO FENDER BOLTS, Set of 8	1940	12.50 set
48-16008-SK	FENDER WASHER SET, 28 pieces	35-36	6.50 set
91A-16008-SK	FENDER WASHER SET, 60 pieces	39-40	11.75 set
FRONT FENDER TO HORN PANEL 1936			
68-16000	FENDER TO GRILL TRIM SET, Stainless Steel, Set of 4	1936	45.00 set
FENDER WELTING			
B-16070	FENDER WELT, Original Black Cloth, 25 feet	28-48	12.00 ea.
FRONT FENDER TO COWL SEAL			
21C-16068	FRONT FENDER TO COWL SEAL, Pickup	42-47	12.50 ea.
STONE GUARDS			
51A-16349/50-A	REAR FENDER STONE GUARDS, By Bob Drake	42-48	135.00 pr.
51A-16349/50-B	FENDER STONE GUARD, By Bob Drake, Station Wagon	42-48	235.00 ea.
FENDER MOLDINGS			
6A-16003	FENDER MOLDING, Front, Right, Stainless Steel	47-48	55.95 ea.
6A-16004	FENDER MOLDING, Front, Left, Stainless Steel	47-48	55.95 ea.
6A-16168/9	FENDER MOLDING, Front, Lower, Stainless Steel	47-48	59.95 ea.
6A-16196-A	FENDER MOLDING, Rear, Right, Stainless Steel	47-48	55.95 ea.
6A-16196-B	FENDER MOLDING, Rear, Left, Stainless Steel	47-48	55.95 ea.
U-29000-CLAK	UNIVERSAL MOLDING CLIP SET, Set of 10.	ALL	10.00 set

32-48 Passenger Cars & 32-47 Pickup Trucks

FENDER EMBLEMS			
11A-16079	FRONT FENDER EMBLEM, "Super Deluxe" script, by Drake	41-42	25.00 ea.
51A-16079	FRONT FENDER EMBLEM, "Super Deluxe" block letters, By Drake	46-47	25.00 ea.
51A-16605	FRONT FENDER EMBLEM, "Sportsman"	46-48	20.00 ea.
RUNNING BOARD			
<i>Part numbers ending in V designate covers made by Vintique, Inc. Part numbers ending in B designate covers made by Bob Drake. Both are of excellent quality. You can't go wrong with either supplier.</i>			
B-16450/1-CV	RUNNING BOARDS, Covered, molded rubber vulcanized to 16 gauge steel, ready to mount on your Passenger Car or Pickup	1932	550.00 ea.
B-16450/1	RUNNING BOARDS, Bare, Passenger & Pickup	32-32	200.00 ea.
40-16450/1-BR	RUNNING BOARDS, Bare steel for covers or smooth	33-34	279.95 ea.
40-16450/1-CV	RUNNING BOARDS, Covered, molded rubber vulcanized to 16 gauge steel, ready to mount to your Passenger Car	33-34	575.00 ea.
46-16450/1	RUNNING BOARDS, Steel with attaching braces, exact copy of originals, Pickup	33-34	300.00 pr.
48-16450-BR	RUNNING BOARDS, Bare Steel, for covers or smooth	35-36	275.00 ea.
50-16450/1-FG	RUNNING BOARDS, Left & Right, Fiberglass, Pickup	35-37	545.00 ea.
78-16450/1-BR	RUNNING BOARDS, Bare Steel for covers or smooth, 1939 Standard	37-39	300.00 ea.
81C-16450/1-FG	RUNNING BOARDS, Left & Right, Fiberglass, Commercial	38-39	500.00 pr.
01A-16450/1-BR	RUNNING BOARDS, Bare steel for covers or smooth, 1939 Deluxe	39-40	325.00 ea.
01C-16450-S	RUNNING BOARDS, All Steel, Pickup	40-41	695.00 ea.
01C-16450/1-FG	RUNNING BOARDS, Pickup, fiberglass Left & Right	40-41	545.00 pr.
21A-16450/1-CV	RUNNING BOARDS, Bare Steel for covers or smooth	42-48	198.95 ea.
21C-16450-FG	RUNNING BRDS, Fiberglass, Pickup	42-47	475.00 pr.
RUNNING BOARD COVERS			
B-16450-V	RUNNING BOARD COVERS	1932	195.00 pr.
40-16450/1-V	RUNNING BOARD COVERS	33-34	195.00 pr.
48-16450-V	RUNNING BOARD COVERS	35-36	195.00 pr.
48-16450-B	RUNNING BOARD COVERS	35-36	235.00 pr.
78-16450-V	RUNNING BOARD COVERS, Also fits 39 Standard	37-38	195.00 pr.
78-16450-B	RUNNING BOARD COVERS, Also fits 39 Standard	37-38	235.00 pr.
91A-16450-V	RUNNING BOARD COVERS, Also fits 39 Deluxe	1940	195.00 pr.
91A-16450-B	RUNNING BOARD COVERS, Also fits 39 Deluxe	1940	235.00 pr.
11A-16450-V	RUNNING BOARD COVERS	1941	195.00 pr.
21A-16450-V	RUNNING BOARD COVERS	42-48	195.00 pr.
21A-16450-B	RUNNING BOARD COVERS	42-48	235.00 pr.
109	CEMENT for above covers (if you need extra)		12.50 ea.
RUNNING BOARD HARDWARE & SEALS			
A803205A	RUNNING BOARD BOLT SET (188 pcs)	1932	12.95 set
A803205B	RUNNING BOARD BOLT SET	33-34	13.95 set
78-16453-S	RUNNING BOARD BOLT SET	37-48	12.00 set
21A-16458-S	GROMMETS/WASHERS, Runningboard To Frame & Front Fender To Cowl	42-48	15.00 ea.

ORDERS ONLY 1-800-417-3347

RUNNING BOARD BRACES			
B-16485-S	RUNNING BOARD BRACES, Die Stamped, Black, Set of 4	32-32	25.00 set
40-16485-S	RUNNING BOARD BRACES, Die Stamped, Black, Set of 4	33-34	25.00 set
RUNNING BOARD MOLDINGS			
48-16462-S	RUNNING BOARD MOLDINGS, Stainless Steel	35-36	99.95 pr.
78-16446	RUNNING BOARD MOLDINGS, Stainless Steel	37-39	98.50 pr.
6A-16446/7	RUNNING BOARD MOLDINGS, Stainless Steel	46-48	89.95 pr.
RADIATOR TO CROSS MEMBER SHIELDS			
B-16527	RADIATOR SPLASH APRON	32-32	35.00 ea.
B-16527-FB	SPLASH APRON FELT BLOCK , also fits 32-34 Pickup	32-34	4.00 ea.
40-16550	RADIATOR LOWER TANK SHIELD	33-34	40.00 ea.
68-16554	RADIATOR TO CROSS MEMBER SHIELD, Passenger Cars	36-36	49.95 ea.
HOOD			
HOOD BUMPER SETS			
<i>Sets include rubber bumpers, hood corners, pads & rivets, just like originally used, as per the year of the car involved.</i>			
<i>Hood Bumper Kits By Bob Drake Available @ \$15.00 Per Kit</i>			
B-16761-S	Passenger & 32-34 Pickup	1932	8.50 set
40-16761-S	Passenger	33-34	8.50 set
48-16761-S	Passenger & 35-37 Pickup	1935	8.50 set
68-16761-S	Passenger	1936	8.50 set
78-16761-S	Passenger	1937	8.50 set
81A-16761-S	Standard & 38-39 Pickup	38-39	8.50 set
91A-16761-S	Also fits 39 Deluxe	1940	8.50 set
01C-16761-S	Pickup	40-41	8.50 set
11A-16761-S	Passenger	41-48	8.50 set
21C-16761-S	Pickup	42-47	8.50 set
HOOD BUMPERS & BRACKETS			
68-16628-K	HOOD BUMPER & BRACKET, Front, Passenger Cars	36-36	25.00 pr.
68-17759-K	HOOD BUMPER & BRACKET, Rear, Passenger Cars	36-36	15.00 pr.
HOOD SIDE RODS			
B-16736	HOOD SIDE ROD SET, Stainless Steel, Passenger & Commercial	1932	24.95 set
40-16736	HOOD SIDE ROD SET, Stainless Steel, Passenger	33-34	24.95 set
48-16736	HOOD SIDE ROD SET, Stainless Steel, Passenger	35-36	24.95 set
HOOD LATCH			
B-16750-BK	HOOD LATCH, All Black	1932	10.00 ea.
B-16750	HOOD LATCH, Black with Stainless Steel Top, by drake	1932	20.00 ea.
B-16750-SS	HOOD LATCH, ALL Stainless Steel, by Drake	32-32	25.00 ea.

32-48 Passenger Cars & 32-47 Pickup Trucks

B-16750-SS	HOOD LATCH, Stainless Steel Foreign <i>Above Three Hood Latches Also For 32-34 Pickups</i>	32-32	15.00 ea.
B-16750-SK	HOOD LATCH MOUNTING KIT	32-34	1.50 kit
B-16609-SS	HOOD HANDLES, Stainless Steel	1932	28.95 pr.
HOOD SAFETY CATCH			
40-16628-C	HOOD CATCH/RADIATOR SHELL MOUNTING KIT	34	12.50 kit
91A-16892-B	HOOD SAFETY CATCH, Deluxe Passenger	1939	22.00 ea.
01A-16892-A	HOOD SAFETY CATCH, 1940 Standard, 1940-41 Pickup, by Bob Drake	40-41	32.50 ea.
01A-16892-B	HOOD SAFETY CATCH, Deluxe Passenger, by Drake	1940	32.50 ea.
01A-16892-AS	HOOD SAFETY CATCH, Stainless Steel, Standard	1940	37.50 ea.
01A-16892-BS	HOOD SAFETY CATCH, Stainless Steel, Deluxe	1940	37.50 ea.
HOOD LATCH TENSION SPRINGS			
91A-8223	LATCH TENSION SPRING, 39 Deluxe	39-39	12.00 ea.
01A-8223-B	LATCH TENSION SPRING, Deluxe Passenger	40-40	12.00 ea.
01A-8223-A	LATCH TENSION SPRING, Standard Passenger, Also fits 40-41 Pickup	40-41	12.00 ea.
51A-16897	HOOD SAFETY SPRING, Passenger	46-48	5.00 ea.
01A-16935	HOOD BRACE, Deluxe Passenger	40-40	10.00 ea.
HOOD EMBLEMS			
46-16608	FORD EMBLEM, with blue background, Pickups	1934	30.00 ea.
50-16606	FORD EMBLEM, with blue background, Pickups	35-36	50.00 ea.
77-16606	HOOD SIDE EMBLEM V-8, Pickup	1937	30.00 ea.
01A-16604/5-B	HOOD EMBLEMS, by Drake, V8 Standard & Pickup	1940	55.00 pr.
91A-16606	FORD WORD INSIGNIA, for Passenger Car hood, 40 Pickup hood/dash, 39 & 40 Standard	39-40	10.00 ea.
91A-16606-D	FORD WORD INSIGNIA, by Bob Drake	39-40	13.00 ea.
01A-16606-C	HOOD EMBLEM "FORD"	1940	9.50 ea.
91A-16607	DELUXE WORD INSIGNIA	1939	10.00 ea.
01A-16607-C	DELUXE HOOD EMBLEM	1940	9.50 ea.
01A-16606/7-B	FORD AND DELUXE WORDS, By Drake, 2 of each, Passenger, Deluxe	1940	60.00 set
46-16606	V8 EMBLEM, as used 1934 Pickup; 1934 Passenger; 34-36 Trunk	34-36	15.00 ea.
81C-16606	HOOD SIDE EMBLEMS, Ford oval 85 HP, Pickup	38-39	29.95 ea.
81A-16605/6	HOOD SIDE EMBLEMS, 1938 Deluxe V8	1938	32.50 pr.
11A-16606-A	FORD HOOD EMBLEM, 1941 Ford	1941	45.00 ea.
11C-16606	HOOD EMBLEM "FORD", Pickups	1941	17.50 ea.
6RA-16606-B	HOOD EMBLEM, By Drake	47-48	50.00 ea.
HOOD ORNAMENTS			
6A-16607	BLUE PLASTIC HOOD ORNAMENT INSERT	47-48	25.00 ea.
6A-16851-K	HOOD ORNAMENT & PLASTIC INSERT	47-48	160.00 ea.

ORDERS ONLY 1-800-417-3347

HOOD CENTER STRIPS			
18-16632	HOOD CENTER STRIP	1932	16.00 ea.
40-16632	HOOD CENTER STRIP	33-36	16.00 ea.
91A-16736	HOOD CENTER STRIP	1939	38.00 ea.
01A-16736-A	HOOD CENTER STRIP, Standard	1940	38.00 ea.
01A-16736-B	HOOD CENTER STRIP, Deluxe	1940	45.00 ea.
01C-16736	HOOD CENTER STRIP, Pickup	1940	38.00 ea.
21C-16736	HOOD CENTER STRIP, Stainless, Pickup	42-47	60.00 ea.
HOOD BOLTS, SPRINGS, PADS			
91A-16610	HOOD HINGE BOLT	41-48	2.25 ea.
91A-16612-A	HOOD ARM SHOULDER BOLT	39-48	4.00 pr.
91A-16789	HOOD ARM SPRINGS	39-40	5.00 ea.
91A-16789-SS	HOOD ARM SPRINGS, Stainless	39-40	10.00 ea.
78-16746/7	HOOD HINGE PADS, Import	37-41	5.00 pr.
78-16746/7-D	HOOD HINGE PADS, by Drake	37-41	10.00 pr.
81A-16750-RK	HOOD SIDE MOUNTING KIT, Passenger	38-39	30.00 ea.
01A-16774-BHK	HOOD CROSS BRACE HARDWARE KIT, Passenger & Pickup	40-40	8.00 kit
HOOD HINGE BRACKETS			
01C-16796	HOOD HINGE BRACKETS, Pickup	40-47	40.00 ea.
21A-16796/7	HOOD HINGE BRACKETS	41-48	45.00 ea.
21A-16796/7-SST	HOOD HINGE BRACKETS, Stainless	42-48	75.00 ea.
78-16796-7	HOOD HINGE BRACKETS, Passenger	37-37	40.00 pr.
78-16796-7-SS	HOOD HINGE BRACKETS, Stainless Steel, Passenger	37-37	75.00 ea.
91A-16796/97S	HOOD HINGE BRACKETS	38-40	40.00 ea.
91A-16796/97-SST	HOOD HINGE BRACKETS, Stainless Steel	38-40	75.00 ea.
91A-16796-HK	HARDWARE KIT, Hood Hinge Brackets	37-40	8.00 kit
HOOD ARM BRACKETS:			
91A-16794/5-C	HOOD ARM BRACKETS	39-40	35.00 pr.
HOOD ARM & SPRING SUPPORTS			
91A-16782/3	HOOD ARM & SPRING SUPPORT, 1939 Standard & Deluxe, 1941-48 Passenger, 1939-47 Pickup without small bracket	41-48	50.00 pr.
91A-16782/3-SS	HOOD SUPPORTS, Steel, All Passenger Cars, also fits 39-Standard	41-48	75.00 pr.
91A-16802/3	HOOD ARM & SPRING SUPPORT, With small bracket, 1939 Deluxe, 1940 Standard & Deluxe	39-40	50.00 ea.
HOOD MOLDINGS			
	<i>HOOD LACING KITS are listed under LACING KITS on page 65.</i>		
	<i>HOOD ORNAMENTS are listed on page 85.</i>		
91A-16722-B	HOOD SIDE MOLDING, Right hand, 1939 Deluxe	1939	39.95 ea.
91A-16723-B	HOOD SIDE MOLDING, Left hand, 1939 Deluxe	1939	39.95 ea.
91A-16724-B	LOWER HOOD SIDE MOLDING, Right & Left side, 1939 Deluxe	1939	23.95 ea.

32-48 Passenger Cars & 32-47 Pickup Trucks

91A-700328/9	COWL MOLDING, Short pieces on cowl	1939	29.95 pr.
01A-16722-A	STANDARD HOOD SIDE MOLDING, Right Hand	1940	29.95 ea.
01A-16723-A	STANDARD HOOD SIDE MOLDING, Left Hand	1940	29.95 ea.
01A-16722-B	DELUXE HOOD SIDE MOLDING, Right Hand	1940	29.95 ea.
01A-16723-B	DELUXE HOOD SIDE MOLDING, Left Hand	1940	29.95 ea.
01A-700328/9	COWL MOLDING, Standard & Deluxe	1940	29.95 pr.
48-16722-S	HOOD SIDE MOLDING SET, Stainless Steel, With clips, 8 pieces	1935	95.00 set
68-16722-S	HOOD SIDE MOLDING SET, Stainless Steel, With clips, 6 pieces	1936	95.00 set
SPEEDOMETER			
B-17260-B	SPEEDOMETER CABLE & CASE	35-48	14.95 ea.
99A-17263	SPEEDOMETER CABLE BRACKET	39-41	10.00 ea.
A-17270	SPEEDOMETER DRIVE GREAR, for 354 Gears	32-48	14.95 ea.
B-17275	GASKET, Speedo Gear Case	28-48	1.50 ea.
B-17286	SNAP RING, For Speedometer Gear	28-48	1.50 ea.
B-17290	SPEEDOMETER GEAR THRUST WASHER	28-48	3.00 ea.
SPEEDOMETER CABLE GROMMETS			
40-17265	SPEEDOMETER CABLE GROMMET	33-39	1.50 ea.
48-17265	SPEEDOMETER CABLE GROMMET, at Firewall	35-36	1.50 ea.
01A-17265	SPEEDOMETER CABLE & EMERGENCY CABLE GROMMET	1940	4.00 ea.
11A-17265	SPEEDOMETER CABLE & EMERGENCY CABLE GROMMET	41-48	4.00 ea.
WINDSHIELD WIPER			
WIPER ARMS			
B-17529-SS	WIPER ARM, Stainless Steel	30-36	7.50 ea.
WT-17529-SS	WIPER ARM, Universal, Wrist Type	32-56	12.50 ea.
78-17529-SS	WIPER ARM, Stainless Steel, Coupe, Sedan or Pickup	37-39	14.00 ea.
01A-17529	WIPER ARM, Stainless Steel, Convertible, Wagon & 1940 Closed Cars,	37-40	15.00 ea.
11A-17526	WIPER ARM, Right Side, all body styles, Passenger Cars	41-48	15.00 ea.
11A-17527	WIPER ARM, Left side (driver side), all body styles, Passenger Cars	41-48	15.00 ea.
01C-17526	WIPER ARM, Right Side, Pickup,	40-47	14.00 ea.
01C-17527	WIPER ARM, Left side (driver side), Pickup,	40-47	14.00 ea.
WIPER CLIP/SPRING & NUTS			
78-17450	WIPER MOTOR TO ARM CLIP & SPRING ASSEMBLY	37-40	2.50 ea.
11A-17450	WIPER MOTOR TO ARM CLIPS & SPRING	41-48	2.50 ea.
78-17481	WIPER ARM NUTS, Chrome	37-40	4.00 pr.
WIPER BLADES			
B-17528	WIPER BLADE, approximately (7 1/2")	32-40	3.00 ea.
68-17528	WIPER BLADE, approximately (8 1/4")	32-40	3.00 ea.
21A-17528	WIPER BLADE, approximately (9")	41-48	4.50 ea.

ORDERS ONLY 1-800-417-3347

WIPER PADS & HOSES			
40-18920	WIPER RUBBER HOSE, Pre-cut 6 foot package	32-56	2.95 ea.
01A-17556	WIPER TRANSMISSION RUBBER PAD SET, Closed Car	40-41	5.00 set
78-17556	WIPER TRANSMISSION RUBBER PAD SET, Convertible & Wagon	37-40	4.00 set
TANDEM WIPER ASSEMBLY			
68-17574	TANDEM WIPER ASSEMBLY, 2 wiper arms, 2 blades, swivel post & connecting shaft. <i>Your Passenger wiper is powered by the drivers side motor thru the connecting shaft.</i>	32-36	24.00 ea.
WIPER MOTORS			
A-17508-E6	WIPER MOTOR, Electric, Black cover, 6V use to replace vacuum MTR	32-39	37.50 ea.
A-17508-E12	WIPER MOTOR, Electric, Black cover, 12V use to replace vacuum MTR	32-39	37.50 ea.
A-17508-SS6	WIPER MOTOR, Electric, Stainless Steel cover, 6V use to replace vacuum MTR	32-39	46.00 ea.
A-17508-SS12	WIPER MOTOR, Electric, Stainless Steel cover, 12V use to replace vacuum MTR	32-39	46.00 ea.
WIPER MOTOR SHAFT NUT & WASHER KIT			
A-17508-MK	WIPER SHAFT NUT & SEALS	32-39	2.00 kit
ELECTRIC WIPER MOTOR CONVERSION KITS			
	<i>Designed to bolt in place of the stock vacuum wiper motors. The motor is a heavy duty 6 & 12 volt 2 speed unit with automatic park. Kits come with all mounting brackets, dash mount switch, fuse and instructions.</i>		
01A-17508-HD6	Passenger Cars, 6 volt	1940	135.00 ea.
11A-17508-HD6	Passenger Cars, 6 volt	41-42	135.00 ea.
51A-17508-HD6	Passenger Cars, 6 volt	46-48	135.00 ea.
01A-17508-HD12	Passenger Cars, 12v	1940	139.95 ea.
11A-17508-HD12	Passenger Cars, 12v	41-42	139.95 ea.
51A-17508-HD12	Passenger Cars, 12v	46-47	139.95 ea.
01C-17508-K	Pickup, 12v, all necessary parts included	40-47	365.00 ea.
WIPER CONTROL ASSEMBLY			
01A-17535-A	WIPER CONTROL ASSEMBLY, With knob, Standard Cars	40-40	20.00 ea.
01A-17535-B	WIPER CONTROL ASSEMBLY, With knob, Deluxe Cars	40-40	25.00 ea.
78-17535	WIPER CONTROL ASSEMBLY, Open Cars, Wagon	37-37	15.00 ea.
91A-17535	WIPER CONTROL ASSEMBLY, Open Cars, Wagon	39-39	15.00 ea.
51A-17535	WIPER CONTROL ASSEMBLY, Blue & Green Knob	46-46	15.00 ea.
51A-17535-C	WIPER CONTROL ASSEMBLY, Grey & Tan Knob	46-48	20.00 ea.
WIPER CONTROL ROD			
78-17537	WIPER CONTROL ROD	37-39	4.00 ea.
01A-17537	WIPER CONTROL ROD	1940	5.00 ea.
01A-17537-G	WIPER CONTROL ROD GROMMET	1940	1.50 ea.

32-48 Passenger Cars & 32-47 Pickup Trucks

WIPER TOWER ASSEMBLY			
	<i>Die cast and triple Chrome plated. Includes all mounting hardware and Chrome wiper shaft nuts.</i>		
78-17752/3	Convertible and Station Wagons	1937-39	145.00 ea.
01A-17752/3-C	Convertible and Station Wagons	1940	145.00 ea.
01A-17552/3-D	Coupe and Sedan, 1940 Sedan Delivery	1941	125.00 ea.
WIPER KNOBS			
B-17513-B	WIPER KNOB, Chrome, Closed Cars	32-37	4.50 ea.
78-17513-B	WIPER KNOB, Deluxe, Closed Car	1937	4.00 ea.
91A-17513-A	WIPER KNOB, Closed Car	1939	4.00 ea.
91A-17513-B	WIPER KNOB, Open Car	1939	4.00 ea.
01A-17513-A	WIPER KNOB, Standard	1940	4.00 ea.
01A-17513-B	WIPER KNOB, Deluxe	1940	4.00 ea.
51A-17513-B	WIPER KNOB	1946	3.95 ea.
21C-17513	WIPER KNOB, Commercial	42-47	4.00 ea.
WIPER GROMMETS			
B-17511	WIPER HOSE GROMMET, Chrome, Roadster/Phaeton	32-37	5.95 ea.
11A-17541	WIPER MOTOR SHAFT TO ROOF SEAL	37-48	2.50 ea.
7C-17541	WIPER MOTOR SHAFT TO ROOF SEAL, Closed Cars, 48-52 PICKUP	37-52	2.00 ea.
91A-17545	WIPER HOSE GROMMET FOR FIREWALL	1939	1.50 ea.
01A-17545-A	WIPER HOSE GROMMET, 1940 Convertible	1940	1.50 ea.
01A-17537-G	WIPER CONTROL ROD GROMMET	1940	1.50 ea.
01A-17545-B	WIPER HOSE GROMMET FIREWALL, Closed Cars	40-48	1.50 ea.
21C-17545	WIPER HOSE GROMMET FIREWALL, Pickup	42-47	3.50 ea.
01A-17577	WIPER CONTROL ROD GROMMET	1940	1.00 ea.
51A-17562	WIPER ARM TO MOTOR GROMMET	46-48	1.25 ea.
21C-17265	WIPER HOSE/SPEEDOMETER GROMMET FIREWALL	42-47	2.95 ea.
MIRRORS			
MIRRORS INSIDE THE CAR			
B-17681-SS	INSIDE MIRROR, Stainless Steel, Roadster/Phaeton	1932	40.00 ea.
B-17682-SS	INSIDE MIRROR, Closed Car & Pickup	32-36	40.00 ea.
B-17690	INSIDE MIRROR, Cabriolet & Convertible Sedan	32-34	40.00 ea.
40-17681-SS	INSIDE MIRROR, Stainless Steel, Roadster/Phaeton	33-36	40.00 ea.
48-17690	INSIDE MIRROR, Stainless Steel, Cabriolet/Convertible Sedan	35-36	45.00 ea.
68-17682	INSIDE MIRROR, Painted Brown, late 1935-36	35-36	45.00 ea.
78-17682	INSIDE MIRROR, Painted Brown, Closed Car	37-39	45.00 ea.
78-17690	INSIDE MIRROR, Painted Brown, Convertible & Station Wagon	37-39	55.00 ea.
01A-17682	INSIDE MIRROR, Closed Car	1940	45.00 ea.
01A-17690	INSIDE MIRROR, Convertible & Wagon	40-48	45.00 ea.
11A-17682-SS	INSIDE MIRROR, Stainless Steel, 41-48 Passenger, 48-52 Pickup	41-52	45.00 ea.
B-17681-BV	REAR VIEW MIRROR GLASS	32-36	8.00 ea.

ORDERS ONLY 1-800-417-3347

MIRRORS OUTSIDE THE CAR			
B-17741	OUTSIDE HINGE PIN MIRROR, Closed Cars	1932	38.00 ea.
46-17741	OUTSIDE HINGE PIN MIRROR, Pickup	32-34	38.00 ea.
48-18403	OUTSIDE HINGE PIN MIRROR, Right or Left, by Bob Drake, 1948-52 Pickups	35-40	39.00 ea.
68-17741	HINGE MIRROR, Foreign made	35-40	33.50 ea.
48-18403-E	OUTSIDE HINGE PIN MIRROR, Straight Arm, by Bob Drake	35-36	59.00 ea.
48-18403-C	HINGE PIN MIRROR HEAD, by Bob Drake	35-40	30.00 ea.
50-17741	DOOR HINGE MIRROR, All Chrome, Imported, Pickup Trucks	35-47	36.00 ea.
50-17741-B	DOOR HINGE MIRROR, Black Arm, by Drake, Pickup	35-47	39.00 ea.
50-17741-C	DOOR HINGE MIRROR, Chrome Arm, by Drake, Pickup	35-47	39.00 ea.
50-17741	OUTSIDE HINGE PIN MIRROR ARM, Arm Only, Black, Pickup	35-47	14.95 ea.
B-17700-SM	SIDE MOUNT MIRROR	28-34	39.50 ea.
B-17700-WWSS	WINDWING MIRROR, Stainless Steel, Clamps to windwings	32-39	25.00 ea.
18-17700-P	POST MIRROR, Windshield Stanchions, 1932 Open Cars	1932	40.00 ea.
PEEP MIRRORS			
78-18414-FL	ORIGINAL STYLE PEEP MIRRORS, with Ford script, by Drake	32-53	45.00 ea.
78-18414-FR	ORIGINAL STYLE PEEP MIRRORS, with Ford script, by Drake	32-53	45.00 ea.
HR-18414-L	PEEP MIRROR, Left Side, Stainless Steel, (3") head, Curved Arm	32-53	30.00 ea.
HR-18414-R	PEEP MIRROR, Right Side, Stainless Steel, (3") head, Curved Arm	32-53	30.00 ea.
B-18414-L	PEEP MIRROR, Left Side, Stainless Steel, (4") head, Curved Arm	32-53	32.00 ea.
B-18414-R	PEEP MIRROR, Right Side, Stainless Steel, (4") head, Curved Arm	32-53	32.00 ea.
A-17741-UL	PEEP MIRROR, Stainless Steel, (4") head, Straight arm	28-53	32.00 ea.
A-17741-UR	PEEP MIRROR, Stainless Steel, 4" head, Straight arm	28-53	32.00 ea.
COWL MOUNT MIRRORS			
<i>All Cowl Mirrors are Top Quality Made By Bob Drake</i>			
01A-18402-R	COWL MOUNT MIRROR, Right	1940	65.00 ea.
01A-18403-L	COWL MOUNT MIRROR, Left	1940	65.00 ea.
09A-18402-R	COWL MOUNT MIRROR, Right, Mercury	1940	95.00 ea.
09A-18403-L	COWL MOUNT MIRROR, Left, Mercury	1940	95.00 ea.
11A-18402-R	COWL MOUNT MIRROR, Right	1941	85.00 ea.
11A-18403-L	COWL MOUNT MIRROR, Left	1941	85.00 ea.
21A-18402-R	COWL MOUNT MIRROR, Right	42-48	65.00 ea.
21A-18403-L	COWL MOUNT MIRROR, Left	42-48	65.00 ea.
40-17741-	COWL MOUNT MIRROR, Left	33-34	40.00 ea.
BUMPERS			
<i>We carry a full line of USA made triple Chrome plated bumpers in stock. We also carry in stock Stainless Steel bumpers for certain years.</i>			
B-17752	BUMPER, Front or Rear, Passenger & Commercial	1932	285.69 ea.
40-17588-B	BUMPER, Front or Rear, Passenger	1933	285.69 ea.
40-17750	BUMPER, Front or Rear, Passenger	1934	285.69 ea.
40-17750-SS	BUMPER, Front or Rear, Stainless Steel	1934	364.00 ea.

32-48 Passenger Cars & 32-47 Pickup Trucks

46-17757	BUMPER, Front, Pickup	1934	285.69 ea.
46-17757-SS	BUMPER, Front, Stainless Steel, Pickup	34-34	364.00 ea.
48-17757	BUMPER, Front or Rear, Passenger	1935	285.69 ea.
48-17757-SS	BUMPER, Front or Rear, Stainless Steel	1935	364.00 ea.
50-17757	BUMPER, Front or Rear, Pickup	1935	285.69 ea.
50-17757-SS	BUMPER, Stainless Steel, Pickup,	1935	364.00 ea.
68-17757	BUMPER, Front or Rear, Passenger	1936	285.69 ea.
68-17757-SS	BUMPER, Front or Rear, Stainless Steel	1936	364.00 ea.
67-17757	BUMPER, Commercial	1936	285.69 ea.
67-17757-SS	BUMPER, Stainless Steel, Pickup,	1936	364.00 ea.
78-17757	BUMPER, Front Passenger, Front & Rear Commercial	1937	285.69 ea.
78-17784	BUMPER, Rear, Passenger	1937	285.69 ea.
78-17757-SS	BUMPER, Front, Stainless Steel, Passenger, Front & Rear Commercial	1937	364.00 ea.
78-17784-SS	BUMPER, Rear, Stainless Steel, Passenger	1937	364.00 ea.
81A-17757	BUMPER, Front & Rear, all 1938 & 1939 Standard	38-39	285.69 ea.
91A-17757	BUMPER, Front & Rear, Deluxe Passenger	1939	285.69 ea.
01A-17757	BUMPER, Front & Rear, Passenger	1940	285.69 ea.
01A-17757-B	BUMPER, Rear, Commercial & Station Wagon	40-41	285.69 ea.
6A-17757-C	BUMPER, Front, Chrome, Passenger	47-48	295.00 ea.
21A-17757-CS	BUMPER, Front, Chrome, Passenger	42-46	295.00 ea.
6A-17781-C	BUMPER, Rear, Chrome, Passenger	47-48	295.00 ea.
51A-17781-C	BUMPER, Rear, Chrome, Passenger	42-46	295.00 ea.
FRONT BUMPER ANTI-RATTLERS			
21A-17749-B	FRONT BUMPER TO PAN ANTI-RATTLERS, Passenger Cars	42-48	10.00 ea.
BUMPER TO FRAME BRACES			
<i>BUMPER TO FRAME BRACES, Available for most Passenger and most Pickup applications from 1932 thru 1940. Please Inquire</i>			
67-17787	BUMPER ARMS FROM FRAME, Rear bumper brackets, Pickup	1936	79.00 ea.
01A-17766/7	BUMPER TO FRAME BRACES, Front, 40 Passenger & 40-41 Pickup	40-41	75.00 ea.
01A-17787	BUMPER TO FRAME BRACES, Rear bumper brackets	1940	79.95 ea.
BUMPER TIPS			
01A-18383	BUMPER TIPS, Set of 4	1940	200.00 set
BUMPER GUARDS			
40-17996	BUMPER GUARD	33-34	30.00 ea.
48-17996	BUMPER GUARD	1935	45.00 ea.
68-17996	BUMPER GUARD	1936	45.00 ea.
78-17996	BUMPER GUARD	1937	45.00 ea.
91A-17996	BUMPER GUARD, Deluxe	1939	45.00 ea.
01A-17996	BUMPER GUARD	1940	45.00 ea.

ORDERS ONLY 1-800-417-3347

BUMPER BOLTS & HARDWARE			
B-17758	BUMPER BOLT, Chrome	1932	10.00 ea.
B-17760	BUMPER END PLUG, Stainless Steel	1932	3.50 ea.
40-17758-R	BUMPER BOLT, Chrome, Round, used with bumper guards	33-36	6.00 ea.
48-17758	BUMPER BOLT, Chrome, Oval with Stainless Steel cover	33-40	6.00 ea.
40-17758-K	BUMPER BOLT, Special ones used at outer ends of bumper	33-36	6.00 ea.
11A-17758	BUMPER BOLT, Chrome, Short (1 1/4")	41-48	10.00 ea.
11A-17908	BUMPER BOLT, Stainless Steel cover, Long (2 1/2")	41-48	10.00 ea.
21A-17908	BUMPER BOLT, Stainless Steel, With Angled Head	42-46	10.00 ea.
BUMPER ARM GROMMETS			
48-17772	FRONT ARM GROMMETS	1935	10.00 pr.
68-17772	FRONT ARM GROMMETS, Also 38 Standard	36-37	10.00 pr.
81A-17772	FRONT ARM GROMMETS, 38 Deluxe, 39 Standard	38-39	10.00 pr.
91A-17772	FRONT ARM GROMMETS, Also 39 Deluxe & 40-41 Pickup	1940	10.00 pr.
11A-17772	FRONT ARM GROMMETS	1941	10.00 pr.
50-17772	FRONT ARM GROMMETS, Pickup	35-37	10.00 pr.
81C-17772	FRONT ARM GROMMETS, Pickup	38-39	10.00 pr.
78-17792	REAR ARM GROMMETS, Fits 37, 38-40 Coupe, 38-40 Convertible	38-40	10.00 pr.
81A-17792	REAR ARM GROMMETS, Sedans	38-40	10.00 pr.
11A-17792	REAR ARM GROMMETS	41-48	10.00 pr.
REAR GRAVEL DEFLECTOR & SEAL			
6A-17808	REAR GRAVEL DEFLECTOR, three-piece USA Made	46-48	220.00
6A-17832-A	RUBBER SEAL, Rear splash apron to bumper	42-48	15.00 ea.
GRILL GUARDS			
40-17799-GG	GRILL GUARD, Inverted V on bumper, Chrome	33-36	119.95 ea.
01A-18412	BUMPER GRILL GUARD, By Bob Drake , Ford & Mercury, 40-41 Pickup	40-42	250.00 ea.
SHOCK ABSORBER			
<i>Call for pricing on quality Rebuilt 1932-48 original shocks.</i>			
PICKUP TRUCK SHOCK ABSORBERS			
A-18015-MB	SHOCK TO FRAME MOUNTING BOLT KIT	28-36	6.00 kit
A-18052-CB	SHOCK ARM CLAMP BOLT SET	28-36	4.95 set
A-180147-B	FRONT SHOCK ARM	28-32	25.00 ea.
A-18052-B	REAR SHOCK ARM	28-32	25.00 ea.
48-18052-B	REAR SHOCK ARM, Passenger & Commercial	33-36	49.95 ea.
A-18099	SHOCK FLUID, Pint	28-48	5.00 ea.
SHOCK LINKS			
A-18055	DOGBONE LINK, With bushings, holes on opposite sides, fits 28-32 Front & 28-33 Rear	28-33	7.95 ea.

32-48 Passenger Cars & 32-47 Pickup Trucks

40-18055	DOGBONE LINK, With bushings, holes on same sides, fits 33-34 Front & 34-35 Rear	33-35	7.00 ea.
48-18055	SHOCK LINK, (3") between studs. Fits 35-36 Front & 35-40 Rear	35-40	19.95 ea.
78-18055	SHOCK LINK, (4") between studs. Fits 37-39 Front & 42-46 Front, & 41-46 Rear	35-40	14.95 ea.
99A-18055	SHOCK LINK, (4.75") between studs. Fits varied applications 1941-48	41-48	17.50 ea.
21A-18055	TORSION BAR LINK, (2.39") between studs	42-48	14.95 ea.
B-18060	SHOCK LINK RUBBER BALL BUSHING SET, 8 piece	28-35	5.00 set

LUGGAGE RACKS

Our luggage racks are all steel, USA made and include all mounting hardware, trim and emblems. They come paint ready and include instructions. Painted body color if installed at the factory or black if dealer installed.

B-18575	LUGGAGE RACK	1932	349.95 ea.
40-18575-A	LUGGAGE RACK	1933	425.00 ea.
40-18575	LUGGAGE RACK	1934	425.00 ea.
68-18575	LUGGAGE RACK	35-36	450.00 ea.
48-18575-K	LUGGAGE RACK SWING ARM KNOBS, Chrome	34-36	25.00 ea.
40-18575-SSS	STAINLESS STRIPS, For Luggage Rack, Set of 8	34-36	49.95 set
48-18575	HARDWARE KIT, Luggage Rack	34-36	20.00 kit

PATENT & BODY PLATES

PATENT PLATES W/RIVETS:

40-18650		32-34	5.00 ea.
48-18650		35-36	5.00 ea.
78-18650		37-39	5.00 ea.
01A-18650		40-48	5.00 ea.

BODY NUMBER PLATES W/RIVETS

18-18651		33-34	4.00 ea.
48-18651		1935	3.50 ea.
68-18651		1936	3.50 ea.
78-18651		1937	4.00 ea.

ANTENNA

B-18813-U	ANTENNA, Cowl Mount, Universal Type	28-48	20.00 ea.
78-18813-AB	ANTENNA, Deluxe, Closed Car	1937	80.00 ea.
78-18813-B	ANTENNA, Deluxe, Open Car	1937	80.00 ea.
91A-18813-A	ANTENNA, Closed Car	1939	80.00 ea.
91A-18813-B	ANTENNA, Open Car	1939	80.00 ea.
01A-18813-A	ANTENNA, Standard, Closed Car	1940	68.75 ea.
01A-18813-B	ANTENNA, Deluxe, Closed Car	1940	60.00 ea.
01A-18813-C	ANTENNA, Open Car & Wagon	1940	85.00 ea.
11A-18813	ANTENNA, Closed Car	1941	52.50 ea.

ORDERS ONLY 1-800-417-3347

21A-18813	ANTENNA, Closed Car	42-48	69.50 ea.
21A-18813-A	ANTENNA, Convertible Only	42-48	85.00 ea.
6A-18813	ANTENNA, Cowl Mount, 46-48 Passenger, 48-52 Pickup	46-52	60.00 ea.
6A-18818-S	ANTENNA BASE/FENDER GASK	47-51	3.50 ea.
01A-18807	HOOKS TO HOLD RADIO	40-40	7.50 pr.
01A-18808	SPECIAL NUT, To hold radio to top of dash, where antenna connects	40-40	9.50 ea.
01A-18816-A	ANTENNA SLIDE NUT, Standard	40-40	6.00 ea.
01A-18816-B	ANTENNA SLIDE NUT, Deluxe	40-40	6.00 ea.
01A-18818-A	ANTENNA HOLD DOWN NUT, Standard	40-40	6.00 ea.
01A-18818-B	ANTENNA HOLD DOWN NUT, Deluxe	40-40	6.00 ea.
01A-18820	ANTENNA STOP, Convertible & Wagons	40-40	6.00 ea.
01A-18820-B	ANTENNA STOP, Convertible & Wagons	37-39	6.00 ea.
01A-7004395-A	ANTENNA HOLE PLUG, Standard	40-40	4.50 ea.
01A-7004395-A	ANTENNA HOLE PLUG, Deluxe	40-40	4.50 ea.
HEATER PARTS			
01A-18491	HEATER DEFROSTER NOZZLE & HOSE KIT	1940	48.00 kit
91A-18554	HEATER DEFROSTER FLEX HOSE, Sold by the foot	39-48	5.00 ft
BPA-18572	HEATER HOSE CLAMP	ALL	.75 ea.
8C-18595	HEATER TUBE TO FIREWALL SEAL, Need 2 per Truck	48-52	1.00 ea.
91A-15160	HEATER HOSE NIPPLE, Used to Connect Heater Hose to Lower Radiator Hose	32-56	8.95 ea.
HEATER DEFROSTER KNOBS			
91A-18502-PR	HEATER DEFROSTER KNOBS	39-46	10.00 pr.
11A-18560	HEATER DOOR KNOBS, Black, 3	41-48	12.00 set

32-48 Passenger Cars & 32-47 Pickup Trucks

CABIN

Windshield, Top, Rumble Seat, Trunk, Cowl Area, Glove Box, Floorboard, Window, Door, Sheet Metal, Dash, Trim Clip & Fasteners, Frame & Underbody Components

WINDSHIELD

WINDWING BRACKETS

A-18200-B	WINDWING BRACKETS, With Glass Pattern, Open Cars	30-35	59.95 ea.
68-18200	WINDWING BRACKETS, Roadster/Phaeton	36-36	99.95 ea.

OPEN CAR WINDSHIELD POST RUBBER PAD SETS

B-7603105	PAD SET	1932	15.00 pr.
40-7603105	PAD SET	33-34	15.00 pr.
48-7603105	PAD SET	35-36	11.00 pr.
18-37118	FINGER PULLS, for Windshield Frame, Open Car	32-36	12.00 pr.

WINDSHIELD FRAME SWING ARM AREA

A-45463	WINDSHIELD SWING ARMS, Pickup	32-34	12.95 pr.
B-45463	WINDSHIELD SWING ARMS, Passenger	1932	16.95 pr.
A-45475	SWING ARM PIVOT BOLT SET, 1932 Passenger, 32-34 Pickup	32-34	5.95 set
A-45477-S	SWING ARM CHROME WASHERS, 1932 Passenger, 32-34 Pickup	32-34	3.25 pr.
A-45482	SWING ARM SLIDE NUTS, 1932 Passenger, 32-34 Pickup	32-34	5.95 pr.
B-351000	WINDSHIELD WING NUT, Open Cars	32-36	6.00 ea.
18-37154	WINDSHIELD FRAME CONE, Open Cars	32-36	5.50 ea.
B-37158	WINDSHIELD FRAME STUD	32-36	3.00 ea.

WINDSHIELD ROLL OUT KNOBS

40-701348	WINDSHIELD ROLL OUT KNOB, Chrome	33-34	8.75 ea.
48-701348	WINDSHIELD ROLL OUT KNOB	35-35	8.75 ea.
68-701348	WINDSHIELD ROLL OUT KNOB	36-36	8.75 ea.
78-701348	WINDSHIELD ROLL OUT KNOB	37-37	8.75 ea.
81A-701348	WINDSHIELD ROLL OUT KNOB	38-38	8.75 ea.
91A-7003120	ROLL OUT KNOB COVER	39-39	12.00 ea.
91A-7003120-B	WINDSHIELD ROLL OUT KNOB	39-39	40.00 ea.

WINDSHIELD FRAME RUBBER GASKETS: (ALL USA MFG.)

B-7003110	FRAME GASKET, 1932 Closed Cars Except 3 Window Coupe	1932	20.00 ea.
B-7003110	WINDSHIELD SEAL, 3 Window Coupe	32-32	30.00 ea.
A-37199-BS	WINDSHIELD SEAL, Open Car	30-36	10.00 ea.
40-7003110	FRAME GASKET, 1933-34 closed	32-34	20.00 ea.
46-7003110	WINDSHIELD SEAL, Pickup, Wagon & B-400	32-34	12.00 ea.
40-7603110	WINDSHIELD SEAL, Cabriolet	33-34	80.00 ea.
40-711190	FRAME GASKET, By Drake, Roadster or Phaeton	33-36	25.00 ea.
48-7003110	FRAME GASKET, Closed Car	35-36	20.00 ea.
48-761290	FRAME GASKET, By Drake, Cabriolet Convertible Sedan, Station Wagon	35-36	85.00 ea.
50-7003110	FRAME GASKET, Pickup	35-36	25.00 ea.
78-7003110	FRAME GASKET, Closed Car & Pickup	37-39	20.00 ea.

ORDERS ONLY 1-800-417-3347

78-701290	WINDSHEILD SEAL, With molded corners, by Drake, Closed Cars & Pickups	37-39	40.00 ea.
78-7603110	FRAME GASKET, 37-40 Cabriolet, Convertible Sedan, Station Wagon	37-40	70.00 ea.
01A-7003110/1	FRAME GASKET, 1940 Closed Car, 1940-47 Pickup	40-47	75.00 ea.
11A-7003110-A	FRAME GASKET, Without groove for Chrome trim strip, Closed Cars & Wagon	41-48	60.00 ea.
11A-7003110-B	FRAME GASKET, With groove for Chrome trim strip, Mercury, Closed Cars, Wagon and 42-48 Convertible	41-48	60.00 ea.
21A-7603110	WINDSHEILD SEAL, Convertible	41-48	60.00 ea.
11A-7603110	FRAME GASKET, Has groove in gasket for Chrome trim strip, Convertible.	1941	100.00 ea.
WINDSHIELD DIVISION BARS			
01A-7003078	WINDSHIELD DIVISION BAR, Stainless Steel, 1940 Closed Car, 1940-47 Pickup	40-47	48.50 ea.
11A-7003078-B	WINDSHIELD DIVISION BAR, Stainless Steel, all body styles	41-48	48.50 ea.
WINDSHIELD FRAMES			
B-45405	WINDSHIELD FRAME, Chrome, 5 Window, Sedan, Victoria, Sedan Delivery	1932	600.00 ea.
B-45405-P	WINDSHIELD FRAME, Plain Steel, 5 Window, Sedan, Victoria, Sedan Delivery	1932	375.00 ea.
B-37105	WINDSHIELD FRAME, Chrome, Roadster/Phaeton	1932	600.00 ea.
B-37105-P	WINDSHIELD FRAME, Plain Steel	1932	375.00 ea.
40-701200	WINDSHIELD FRAME, Chrome, Closed Cars	33-34	600.00 ea.
40-37105	WINDSHIELD FRAME, Chrome, Roadster/Phaeton	33-34	600.00 ea.
40-37105-P	WINDSHIELD FRAME, Plain Steel, Roadster/Phaeton	33-34	375.00 ea.
40-761200	WINDSHIELD FRAME, Chrome, Cabriolet	33-34	625.00 ea.
40-761200-P	WINDSHIELD FRAME, Plain Steel, Cabriolet	33-34	400.00 ea.
48-701210	WINDSHIELD FRAME, Chrome, all Closed Cars	35-36	600.00 ea.
48-701210-P	WINDSHIELD FRAME, Plain Steel, all Closed Cars	35-36	375.00 ea.
68-37105	WINDSHIELD FRAME, Chrome, Roadster/Phaeton	35-36	600.00 ea.
68-37105-P	WINDSHIELD FRAME, Plain Steel, Roadster/Phaeton	35-36	375.00 ea.
48-761200-S	WINDSHIELD FRAME, Chrome, Cabriolet	35-36	625.00 ea.
50-701210	WINDSHIELD FRAME, Chrome, Pickup	35-36	525.00 ea.
50-701210-P	WINDSHIELD FRAME, Plain Steel, Pickup	35-36	400.00 ea.
48-701244-A	CLIP, Windshield Seam, Passenger & Pickup	35-36	8.00 ea.
B-701276-A	CORNERS, Windshield Frame, 32 Closed Car	1932	10.00 ea.
B-701276-B	CORNERS, Windshield Frame, 3 Window	1932	9.00 ea.
40-701276-A	CORNERS, Windshield Frame	33-34	9.50 pr.
01C-8103092	WINDSHIELD MOLDING CLIP, Pickup	40-47	10.00 ea.
TOP			
B-37708	TOP PROP NUT, Stainless Steel, for Open Cars	23-32	5.00 ea.
TOP EDGE RUBBER SEALS			
B-705018-A	TOP EDGE RETAINER RUBBER SEAL, Coupe	32-34	8.00 ea.
B-705018-B	TOP EDGE RETAINER RUBBER SEAL, Sedan	32-34	8.00 ea.
48-705018-A	TOP EDGE RETAINER RUBBER SEAL, Coupe	35-36	15.00 ea.
48-705018-B	TOP EDGE RETAINER RUBBER SEAL, Sedan	35-36	15.00 ea.

32-48 Passenger Cars & 32-47 Pickup Trucks

Early Ford
U-8 Sales, Inc.


WINDSHIELD HEADER SEALS			
48-7651312	WINDSHIELD HEADER SEAL	35-40	6.00 ea.
11A-7603475	WINDSHIELD HEADER SEAL, to top bow on Convertibles	41-50	6.00 ea.
11A-7603476	WINDSHIELD HEADER SEAL, Lower	41-48	6.00 ea.
68-764860	UPPER CORNER PADS, Cabriolet, Convertible, Sedan	36-39	8.00 ea.
78-711304	HEADER BOW BUMPERS, Convertibles	37-40	8.00 set
RUMBLE SEAT AND TRUNK			
RUMBLE STEP PADS & BRACKET			
B-2454	RUMBLE STEP PAD, Screws on tail lamp bracket	33-34	20.00 ea.
40-2454	RUMBLE STEP PAD, for tail lamp bracket or fender	35-36	7.50 ea.
78-2454	RUMBLE STEP PAD, for Rear fender	37-39	7.50 ea.
B-41563	RUMBLE STEP PAD, Fender top 32-34; for bumper 1932	32-34	20.00 ea.
B-41572	RUMBLE STEP BRACKET	1932	12.95 ea.
RUMBLE LID HINGE KITS			
B-41543	RUMBLE LID HINGE KIT, for Roadster or 3 Window Coupe	1932	50.00 ea.
40-41543-S	RUMBLE LID HINGE KIT	33-34	55.00 ea.
48-41453-S	RUMBLE LID HINGE KIT, With hardware	35-36	55.00 ea.
RUMBLE & DECK LID LATCHES			
A-52502	LATCH for lid	30-34	11.95 ea.
B-527102	RUMBLE LATCH ASSEMBLY, 1933-34, 1932 3 Window	33-34	23.95 ea.
B-527103	RUMBLE LATCH MOUNTING BRACKET	33-34	17.50 ea.
48-52502	DECK OR RUMBLE LID LATCH	35-36	29.95 ea.
81A-52502-B	DECK LID LATCH, all 38, 39 Sedan	38-39	22.50 ea.
01A-52502-A	DECK LID LATCH ASSEMBLY, 1939-40 Coupe & 1940 Convertible	39-40	27.95 ea.
01A-52502-B	DECK LID LATCH, Sedan	1940	22.50 ea.
11A-52502	DECK LID LATCH, Sedan	41-48	25.00 ea.
21A-52502	DECK LID LATCH, Convertible	42-48	27.50 ea.
01A-52500-A	DECK LID STRIKER PLATE, Coupe & Convertible	39-40	15.00 ea.
01A-52500-B	DECK LID STRIKER PLATE, Sedans	40-40	10.00 ea.
81A-52502-B	DECK LID LATCH, all 38-39 Sedans	38-39	22.50 ea.
40-765680	RUMBLE LID STRIKER	33-34	10.00 ea.
RUBBER SEALS FOR RUMBLE LID & TRUNK LID			
40-713540	TRUNK RUMBLE SEAL, Coupe , Roadster, & Cabriolet	32-34	20.00 ea.
48-7043720-A	TRUNK SEAL, all Coupes	35-36	20.00 ea.
48-7043720-B	RUMBLE SEAL, Coupe, Roadster, Cabriolet & Convertible Coupe	35-39	15.00 ea.
48-706860	TRUNK SEAL, By Drake, Tudor, Fordor, Humpback Sedan,	35-36	35.00 ea.
78-7443720	TRUNK LID SEAL, Phaeton & Convertible Sedan	37-38	20.00 ea.
78-7043720	TRUNK & RUMBLE SEAL	37-48	20.00 ea.
81A-713540	TRUNK SEAL, Bonded covers, by Drake, 38 Deluxe-40, all Sedan,	38-40	45.00 ea.
91A-7043720	TRUNK SEALS, Hollow, Bonded Ends, 2 & 4 Door Sedan	39-40	40.00 ea.

ORDERS ONLY 1-800-417-3347

VISA • MASTERCARD • DISCOVER

01A-7643720	TRUNK SEAL, Hollow core, Bonded ends, Convertible,	40-40	40.00 ea.
91A-7243720	TRUNK & RUMBLE SEAL, Hollow core, Bonded, Coupe	39-40	40.00 ea.
11A-7643720	TRUNK SEAL, Hollow, Bonded Ends, Convertible	41-48	40.00 ea.
11A-7243720	TRUNK SEAL, Hollow, Bonded Ends, Coupes Only	41-48	40.00 ea.
11A-7043720	TRUNK SEALS, Hollow, Bonded Ends, 2 & 4 Door Sedan	41-48	40.00 ea.
11A-7244817-HK	SEAL HARDWARE & CLIP	41-48	8.00 ea.
TRUNK HINGES			
48-706850/1	TRUNK HINGES, Humpback	35-36	79.95 pr.
78-706850/1-A	TRUNK HINGES, Flatback	1937	150.00 pr.
78-706850/1-B	TRUNK HINGES, Humpback, Tudor & Fordor Sedans	1937	150.00 pr.
DECK & RUMBLE LID HANDLES			
40-702352	DECK & RUMBLE LID HANDLE, Locking, with 2 keys	32-34	34.50 ea.
48-702352-B	DECK & RUMBLE LID HANDLE, Locking, with 2 keys	35-36	32.00 ea.
78-702352	DECK & RUMBLE HANDLE, Locking, with 2 keys	1937	32.00 ea.
01A-13557	DECK HANDLE SHAFT SEAL	1940	2.00 ea.
01A-7043500-K	DECK HANDLE ASSEMBLY & BASE ASSEMBLY, With Socket, Wire, Lens & Gaskets, Complete	40-40	145.00 ea.
01A-7043500-S	DECK HANDLE ASSEMBLY, Chrome base assembly, with keys, by Bob Drake	1940	90.00 ea.
01A-7043500	DECK HANDLE ASSEMBLY, With base, 2 keys, foreign made	1940	70.00 ea.
01A-7043500-H	TRUNK LID HANDLE, Without base	40-40	50.00 ea.
11A-7043511	DECK HANDLE, Locking with 2 keys	41-48	65.00 ea.
01A-13556-S	DECK LIGHT SOCKET & INTERNAL BASE, by Drake, 1939 Mercury, 40 Ford	1940	30.00 ea.
99A-13553	DECK LID INNER HANDLE BASE, Foreign Made, 39 Mercury, 40 Ford	39-40	10.00 ea.
11A-13556-S	DECK LIGHT SOCKET & LENS MOUNTING KIT	41-48	20.00 kit
99A-13550	DECK LID HAND BASE, Foreign	40-40	25.00 ea.
11A-13550	DECK LID HAND BASE, Foreign	41-48	25.00 ea.
51A-7043511-K6	DECK HANDLE & BASE ASSEMBLY, 6 volt, with socket, wire lens, complete	41-48	165.00 ea.
TRUNK LID SUPPORT ARMS			
91A-7744200/1	TRUNK LID SUPPORT ARMS, With Spring Support, by Drake, Coupe & Convertible	39-40	95.00 pr.
11A-7744200/1	TRUNK LID SUPPORT ARMS, With Spring Support, by Drake, Coupe & Convertible	41-48	95.00 pr.
RUMBLE SEAT OR TRUNK LID HANDLE RUBBER PADS AND BUMPERS			
A-702356-E	RUBBER PAD, for rumble or trunk handle	28-37	3.00 ea.
81A-13572	RUBBER PAD, for trunk handle	38-39	12.00 ea.
99A-13572	RUBBER PAD, for trunk handle, Mercury 1939	39-40	5.00 ea.
19A-13572	RUBBER PAD, Deck Base, Mercury	4141	12.00 ea.
11A-13572	RUBBER PAD, for trunk handle	41-48	5.00 ea.
01A-13568/9	DECK BASE LENS GASKET SET	40-48	1.00 set
RUMBLE/DECK LID BUMPERS			
B-41484-S	RUMBLE LID BUMPER KIT	28-34	5.00 kit
B41518	RUMBLE LID UPPER BUMPERS	28-34	2.00 ea.

32-48 Passenger Cars & 32-47 Pickup Trucks

40-714008-S	RUMBLE LID STOP BRACKETS	33-39	15.95 ea.
01A-7243800	TRUNK LID BUMPERS, 40 Coupe & Convertible	1940	3.00 ea.
11A-7243800-A	TRUNK LID BUMPERS, Coupe & Convertible	41-48	3.50 ea.
DECK LID EMBLEMS			
01A-7043370-A	DECK LID EMBLEM, "Ford" on Blue background, By Drake, Standard car	1940	45.00 ea.
01A-7043370-B	DECK LID EMBLEM, "Ford" on Red background, By Drake, Deluxe car	1940	45.00 ea.
01A-7043390	DECK LID EMBLEM, "Ford", Plain, Chrome	40-40	10.00 ea.
COWL AREA			
B-700616	COWL VENT GASKET, Passenger, 32-34 Pickup	1932	17.50 ea.
40-700616	COWL VENT GASKET, Passenger, 35-36 Pickup	33-36	15.00 ea.
40-700616-D	COWL VENT GASKET, USA Made, By Drake, Passenger	33-34	20.00 ea.
48-700616-D	COWL VENT GASKET, By Drake, Passenger	35-36	20.00 ea.
78-700616	COWL VENT GASKET, Passenger, 37-47 Pickup <i>Above listed cowl vent gaskets are foreign made, USA gaskets are priced at \$15.00 each, please specify when ordering.</i>	37-48	9.95 ea.
91A-7002330	COWL VENT GASKET, With raised rib original style, Passenger & Pickup	39-42	15.00 ea.
51A-7002330	COWL VENT GASKET, With raised rib as original style, Passenger & Pickup	46-48	15.00 ea.
B-35269	COWL VENT SPRING	1932	2.75 ea.
40-35269	COWL VENT SPRING	33-34	2.75 ea.
B-35276	COWL VENT RATCHET	1932	8.95 ea.
40-35276	COWL VENT RATCHET	33-34	8.95 ea.
40-700590	COWL VENT SCREEN	1934	19.95 ea.
48-700590	COWL VENT SCREEN	35-36	19.95 ea.
01A-700590	COWL VENT SCREEN	39-40	33.50 ea.
B-700611	COWL VENT HANDLE, Chrome, 1932 Passenger, 32-34 Pickup	32-34	15.00 ea.
40-700611	COWL VENT HANDLE, Chrome, Passenger	33-36	15.00 ea.
B-35336	COWL TO FIREWALL RUBBER SEAL	1932	14.95 ea.
X-700000	COWL VENT KNOBS <i>(see DASH KNOB page 115)</i>	1937-48	ea.
			
GLOVE BOXES			
40-43000	1933-34 all body styles	33-34	15.00 ea.
48-43000-A	1935-36 Closed Cars	35-36	15.00 ea.
48-43000-B	1935-36 Open Cars	35-36	15.00 ea.
67-43000	1935-37 Commercial	35-37	15.00 ea.
78-43000	1937 Passenger	1937	15.00 ea.
81A-43000-A	1938-39 Closed Passenger	38-39	15.00 ea.
81A-43000-B	1938-39 Open Cars	38-39	15.00 ea.
77-43000	1938-39 Commercial	38-39	15.00 ea.

ORDERS ONLY 1-800-417-3347

01A-43000	1940 all Passenger	1940	15.00 ea.
11A-43000	1941 all Passenger	1941	15.00 ea.
21A-43000	1942-48 all Passenger	42-48	15.00 ea.
59A-43000	1940-48 Mercury	40-48	15.00 ea.
01C-43000	1940-47 Commercial <i>Hardware is included where applicable.</i>	40-47	15.00 ea.
GLOVE BOX DOOR LOCKS			
01A-7006081	GLOVE BOX DOOR LOCKS, With keys	40-40	35.00 ea.
21A-7006081	GLOVE BOX DOOR LOCKS, With keys	42-48	35.00 ea.
GLOVE BOX BUMPERS			
91A-7006066	GLOVE BOX DOOR BUMPERS	35-48	3.00 pr.
48-701671	GLOVE BOX BUMPERS, Thin for small gaps	35-48	1.50 ea.
09A-7006177	GLOVE BOX DOOR STOPS, Passenger Ford & Mercury	40-48	10.00 pr.
40-43000-RK	GLOVE BOX REPAIR KIT	33-34	8.50 kit
GLOVE BOX SPRINGS			
48-701674	GLOVE BOX DOOR SPRING	35-36	6.95 ea.
81A-701674	GLOVE BOX DOOR SPRING	37-39	6.00 ea.
FLOORBOARD AREA			
FLOORMATS			
<i>All Mats Are USA Made</i>			
4005-7013000-T	FLOOR MAT, Front, Taupe	32-32	80.00 ea.
4003-7013000-T	FLOOR MAT, Front, Taupe	33-34	150.00 ea.
4006-7013000-B	FLOOR MAT, Front, Black	35-35	79.00 ea.
4002-7013000-T	FLOOR MAT, Front, Taupe	35-35	150.00 ea.
4001-7013000-B	FLOOR MAT, Front, Black	36-36	89.95 ea.
4000-7013000-T	FLOOR MAT, Front, Taupe	36-36	150.00 ea.
48-7013001	FLOOR MAT, Rear, 3 piece, Phaeton	35-35	89.00 ea.
68-7013001	FLOOR MAT, Rear, 3 piece, Phaeton	36-36	89.00 ea.
4007-7013000-B	FLOOR MAT, Front, Black	37-39	98.00 ea.
4012-7013000-T	FLOOR MAT, Front, Taupe	37-39	150.00 ea.
4008-7013000-B	FLOOR MAT, Front, Black	40-40	100.00 ea.
4014-7013000-T	FLOOR MAT, Front, Taupe	40-40	150.00 ea.
4010-7013000-B	FLOOR MAT, Front, Black	41-48	89.00 ea.
2532-7245462	FLOOR MAT, Trunk, Convertible & Coupe	38-40	98.00 ea.
2533-7045462	FLOOR MAT, Trunk, Sedan	38-40	98.00 ea.
2538-7045462	FLOOR MAT, Trunk, Sedan	41-48	80.00 ea.
2537-7245462	FLOOR MAT, Trunk, Coupe	41-48	80.00 ea.
2536-7645462	TRUNK MAT, Convertible	41-48	85.00 ea.
21A-7913040	REAR SEAT MAT, Wagons only	41-48	98.00 ea.
21A-791-3056	TRUNK MAT, Station Wagon Cargo Area	41-48	109.00 ea.

32-48 Passenger Cars & 32-47 Pickup Trucks

FLOOR MATS FOR PICKUP TRUCKS 1932-47			
4004-7013000-T	FLOOR MAT, Front, Taupe, Pickup	32-32	80.00 ea.
01C-7013000	FLOOR MAT, Front, Black, Pickup	40-41	100.00 ea.
21C-7013000	FLOOR MAT, Front, Floor shift, will also work in 35-36 Pickup with some trimming	42-47	100.00 ea.
FLOORBOARDS			
40-700325	FLOORBOARDS, Passenger	33-34	39.95 ea.
40-7001619	BATTERY HOLE COVER	33-34	8.95 ea.
46-700325	FLOORBOARDS, Pickup Truck	33-34	39.95 ea.
48-700325	FLOORBOARDS, Passenger Cars	35-35	39.95 ea.
50-700325	FLOORBOARDS, Pickup	35-36	39.95 ea.
68-700325	FLOORBOARDS, Passenger Cars	36-36	39.95 ea.
68-7011115-PR	WOODEN FLOORBOARDS, 36 Passenger	36-36	49.95 ea.
91A-700325	FLOORBOARDS, Passenger Cars	1939	39.95 ea.
01A-700325	FLOORBOARDS, Passenger Cars	1940	39.95 ea.
80028B	FLOORBOARD SCREWS & WASHERS	1932	3.00 ea.
80028C	FLOORBOARD SCREWS & WASHERS	33-40	3.00 ea.
B-20018	FLOOR MAT CLIPS	32-34	.50 ea.
48-20018	FLOOR MAT CLIPS	35-40	.50 ea.
FLOOR SEAL FOR CLUTCH, BRAKE & STEERING COLUMN			
B-35190	SEAL, pedal & steering tube	1932	4.50 ea.
40-35190	SEAL, pedal & steering tube	33-34	8.00 ea.
48-35190	SEAL, pedal & steering tube	35-38	8.00 ea.
01A-35190	SEAL, pedal & steering tube	1940	4.95 ea.
11A-7001730	SEAL, for steering column to floor	41-48	4.95 ea.
11A-7001731-B	SEAL, Steering tube, below floor mat	41-48	6.50 ea.
11A-7011115-S	RUBBER FLOOR PLUGS, 4 piece	41-48	5.50 ea.
01A-7001732/35	STEERING TUBE PLATE, 2 piece kit	1940	11.00 kit
FLOOR SEAL FOR TRANSMISSION			
B-35195	SEAL, Top of transmission to cover	1932	10.00 ea.
40-35195	SEAL, Top of transmission to cover	33-36	10.00 ea.
48-700382	SEAL, Transmission to floor cover, by drake	33-35	15.00 ea.
68-700382	SEAL, Transmission to floor, by drake	36-39	15.00 ea.
78-35195	SEAL, Top of transmission to cover	37-39	6.00 ea.
78-700286	SEAL, Transmission cover to floor	37-40	6.00 pr.
TRANSMISSION FLOOR COVERS			
78-7012108	TRANSMISSION FLOOR COVER, Passenger Cars, 39 Standard	37-39	49.00 ea.
01A-7012108	TRANSMISSION FLOOR COVER, Passenger, 1939 DeLux	39-40	65.00 ea.
01C-7012108	TRANSMISSION FLOOR COVER, Pickup	40-47	89.95 ea.
40-7011120-S	TRANSMISSION COVER SCREWS	33-34	5.00 ea.
48-7011120-S	TRANSMISSION COVER SCREWS	35-36	5.00 ea.
78-7011120-S	TRANSMISSION COVER SCREWS	37-40	5.00 ea.

ORDERS ONLY 1-800-417-3347

HANDBRAKE SEALS			
40-700384	HANDBRAKE FLOOR SEAL	33-34	6.00 ea.
48-700384	HANDBRAKE FLOOR SEAL	35-36	6.00 ea.
PICKUP TRUCK SEALS			
50-810384	HANDBRAKE TO FLOOR SEAL, 35-36 Pickup, 35-47 Commercial	35-47	6.50 ea.
01C-8112125	TRANSMISSION COVER TO FLOOR SEAL	40-47	15.00 ea.
STEERING COLUMN , CLUTCH AND BRAKE ARM TO FLOOR SEALS			
7C-3513-A	CLUTCH, BRAKE & STEERING COLUMN TO FLOOR SEALS, Floor shift	48-52	3.00 ea.
7C-3515	STEERING COLUMN TO FLOOR MAT SEAL, Column shift, top of mat	48-52	6.50 ea.
7C-3515-A	STEERING COLUMN TO FLOOR MAT SEAL, Floor shift with hold on clip	48-52	5.00 ea.
FLOORBOARD EDGE SEAL SETS			
A-35170-BS	SEAL, Floorboard edge, anti-squeak material	28-34	8.95 ea.
68-700364/5	SEAL, Rubber, floorboard edge	35-36	45.00 pr.
78-700364/5	SEAL, Rubber, floorboard edge	37-38	45.00 pr.
91A-700364/5	SEAL, Rubber, floorboard edge	1939	45.00 pr.
01A-700364/5	SEAL, Rubber, floorboard edge	1940	45.00 pr.
11A-700364/5	SEAL, Rubber, floorboard edge	41-48	25.00 pr.
CLUTCH & BRAKE PEDAL SEALS & RUBBER BUMPERS			
91A-2476	CLUTCH & BRAKE PEDAL WEATHER SEALS, in floorboard	39-48	6.50 pr.
B-35184	CLUTCH & BRAKE PEDAL RUBBER BUMPERS	32-34	3.00 pr.
48-700386	CLUTCH & BRAKE PEDAL RUBBER BUMPERS	35-36	3.50 pr.
WINDOW			
SUN VISORS			
68-47380/82	SUN VISORS, Chrome plated, ready for cover	35-48	55.00 pr.
REAR WINDOW SEALS			
B-45968	GLASS SETTING RUBBER CHANNEL, With Lip, 6 feet	28-37	10.00 ea.
B-7042084	REAR WINDOW GASKET, 28-36 Closed Car, Rear window of 28-39 Pickup, Coupe quarter window 28-41.	28-41	12.00 ea.
78-7042084	REAR WINDOW GASKET, all 1937 Passenger, 1938 Coupe & Standard Sedan, 1939-40 Ford/Mercury Coupe	37-40	20.00 pr.
81A-7042084	REAR WINDOW GASKET, 1938 Deluxe, Sedan, 1939-40 Ford/Mercury Sedans	38-40	20.00 pr.
11A-7042084	REAR WINDOW GASKET, 1941-48 Coupe and Sedan that do not use a Chrome trim strip	41-48	25.00 ea.
19A-7042084	REAR WINDOW GASKET, 1941-48 Coupe and Sedan that do use a Chrome trim strip & Mercury	41-48	25.00 ea.
01C-7042084	REAR WINDOW GASKET, 1940-47 Pickup	40-47	25.00 ea.

32-48 Passenger Cars & 32-47 Pickup Trucks

QUARTER WINDOW SEALS			
40-773540-S	QUARTER WINDOW SEAL, Bonded 5 Window Coupe	33-34	20.00 pr.
48-773540-S	QUARTER WINDOW SEAL, Bonded, Coupe	35-36	20.00 pr.
68-7329904-PR	QUARTER WINDOW SEAL, Flip out style, Fordor,	1936	160.00 pr.
78-7029904	QUARTER WINDOW SEAL, Bonded, Coupe	37-40	20.00 pr.
B-7029904	QUARTER PANEL SEAL, Not Bonded, Coupe	28-41	10.00 pr.
81A-7329904-PR	QUARTER WINDOW SEAL, Kickout Style Window, 4 Door Sedan	38-40	90.00 pr.
51A-7229904-PR	QUARTER WINDOW SEAL, Flip out window, Coupe	46-48	90.00 pr.
VENT WINDOW SEALS			
01A-7021448-PR	VENT WINDOW SEAL, USA Made, Closed Cars	40-40	40.00 pr.
01A-7621448-PR	VENT WINDOW SEAL, USA Made, Convertible	40-40	60.00 pr.
01A-7021448-SPR	VENT WINDOW SEAL, Premolded shape of vent window, USA Made, Closed Car	1940	70.00 pr.
11A-7021448-PR	VENT WINDOW SEAL, USA Made, Closed Cars, Wagon, & Mercury	41-48	40.00 pr.
11A-7621448-PR	VENT WINDOW SEAL, USA Made, Convertible, Ford & Mercury	41-48	60.00 pr.
BACK EDGE OF VENT WINDOW SEALS			
01A-7022296	VENT WINDOW GLASS EDGE SEAL	1940	20.00 pr.
CONVERTIBLE WINDOW CHANNELS & SEALS			
18-45983	WINDOW CHANNEL SEAL, Fits into metal strip on door windows, (1") wide, (30") long	32-39	6.00 ea.
01A-45983	WINDOW CHANNEL SEAL, Fits into metal strip on door windows, (3/4") wide, (30") long	40-48	6.95 ea.
18-45983-SS	STAINLESS CHANNEL (1"), for 18-45983, (30") length	32-39	12.50 ea.
01A-45983-SS	STAINLESS CHANNEL (3/4"), for 01A-45983, (30") length	40-48	15.00 ea.
CONVERTIBLE PART SEALS			
68-740928-PR	SEAL, Between Wind Post & Door, With Molded Foot, EX Roadster/Phaeton	33-38	22.50 ea.
01A-6602626-PR	RUBBER SEALS, For Windshield Post To Door	1940	22.50 pr.
21A-7630106-PR	RUBBER SEALS, Front Edge of Quarter Window to Door Glass, Convertible	42-48	40.00 pr.
48-7621478	SEAL, Window Glass To Window Frame, per window	35-50	7.50 ea.
21A-7629904	SEAL, Convertible, Window Glass to Stainless Frame	42-48	12.00 ea.
CVT-3Q	SEAL, Window Glass To Window Frame, quarter window	42-49	5.00 ea.
WINDOW TRIM PANELS			
	<i>Fit around the window, under the garnish moldings</i>		
91A-7323810/11-B	WINDOW TRIM PANEL, Standard, Coupe, Fordor	37-40	60.00 pr.
91A-7323810/11-A	WINDOW TRIM PANEL, Deluxe, Coupe, Fordor	1940	60.00 pr.

ORDERS ONLY 1-800-417-3347

WINDOW CHANNEL KITS

Kits contain pre-shaped channels, felt strips, and all hardware as needed for your particular car or Pickup. Available kits are Front door kits for two doors; Tudor Sedan Rear side kits for two windows; Fordor Sedan Rear door kits for two doors. For 1934 only, advise location (Front or center) of inside door handle. For 1935-36 advise if felt strips or rubber bumpers fit on garnish molding. For 1941-42 Coupe/Sedan advise if vertical large metal channel on Front doors has lower bracket slotted or threaded.

Also for 1941-48 Coupe measure the door window opening (not including vent window) and advise if 26" or 17 1/2".

FRONT DOOR WINDOW CHANNEL KITS

B-45983-3W	3 WINDOW COUPE	1932	60.00 ea.
B-45983-5W	5 WINDOW COUPE	1932	60.00 ea.
B-45983-2D	TUDOR SEDAN	1932	60.00 ea.
B-45983-4D	FORDOR SEDAN	1932	60.00 ea.
18-45983-5W	5 WINDOW COUPE, Tudor Sedan, Fordor Sedan	1933	60.00 ea.
18-45983-3W	3 WINDOW COUPE	1933	60.00 ea.
40-45983-3W	3 WINDOW COUPE	1934	75.00 ea.
40-45983-2DF	TUDOR SEDAN, Front mounted door handles	1934	80.00 ea.
40-45983-2DC	TUDOR SEDAN, Center mounted door handles	1934	85.00 ea.
40-45983-5WF	5 WINDOW COUPE, Front mounted door handles	1934	80.00 ea.
40-45983-5WC	5 WINDOW COUPE, center mounted door handles	1934	85.00 ea.
40-45983-4DF	FORDOR SEDAN, Front mounted door handles	1934	80.00 ea.
40-45983-4DC	FORDOR SEDAN, Center mounted door handles	1934	85.00 ea.
48-45983-3WA	3 WINDOW COUPE, With rubber bumpers on garnish moldings & doors	35-36	90.00 ea.
48-45983-3WB	3 WINDOW COUPE, With felt strips on garnish moldings & doors	35-36	85.00 ea.
48-45983-2DA	TUDOR SEDAN, With rubber bumpers on garnish moldings & doors	35-36	75.00 ea.
48-45983-2DB	TUDOR SEDAN, With felt strips on garnish moldings & doors	35-36	90.00 ea.
48-45983-5W/4DA	FIVE WINDOW COUPE, FORDOR SEDAN, rubber bumpers on garnish moldings and doors	35-36	90.00 ea.
48-45983-5W/4DB	FIVE WINDOW COUPE, FORDOR SEDAN, With felt strips on garnish molding and doors	35-36	90.00 ea.
78-45983-2D	TUDOR SEDAN	37-39	100.00 ea.
78-45983-5W/4D	5 WINDOW COUPE & FORDOR SEDAN	37-39	100.00 ea.
01A-45983-2D	TUDOR SEDAN	1940	87.50 ea.
01A-45983-5W/4D	5 WINDOW COUPE, 4 Door Sedan, Sedan delivery	1940	87.50 ea.
11A-45983-5W/4DA	5 WINDOW COUPE, FORDOR SEDAN, Small door, flat bracket, slotted hole	41-42	90.00 ea.
11A-45983-5W/4DB	5 WINDOW COUPE, FORDOR SEDAN, Small door, angled bracket, threaded holes	41-42	90.00 ea.
11A-45983-2DA	TUDOR COUPE, With big door	41-42	90.00 ea.
51A-45983-2D	TUDOR SEDAN, SEDAN COUPE, Large door	46-48	90.00 ea.
51A-45983-5W/4D	COUPE SMALL DOOR, FORDOR SEDAN	46-48	90.00 ea.

CONVERTIBLE WINDOW CHANNEL KITS

01A-45983-C	1940 CONVERTIBLE	1940	55.00 ea.
11A-45983-C	1941 CONVERTIBLE	1941	65.00 ea.
21A-45983-C	1942-48 CONVERTIBLE	42-48	65.00 ea.

32-48 Passenger Cars & 32-47 Pickup Trucks

TUDOR SEDAN REAR QUARTER WINDOW CHANNEL KITS			
B-56786	TUDOR SEDAN	32-33	50.00 ea.
40-56786	TUDOR & VICTORIA	1934	60.00 ea.
48-56786-A	TUDOR SEDAN, Rubber bumpers on garnish moldings	35-36	75.00 ea.
48-56786-B	TUDOR SEDAN, Felt strips on garnish moldings	35-36	90.00 ea.
78-56786	TUDOR SEDAN, Standard	37-38	70.00 ea.
81A-56786	TUDOR SEDAN, 1938 Deluxe, 1939-40 Tudor	38-40	90.00 ea.
11A-56786	TUDOR SEDAN	41-42	87.50 ea.
51A-56786	TUDOR SEDAN	46-48	90.00 ea.
FORDOR SEDAN REAR DOOR WINDOW CHANNEL KITS			
B-56791	FORDOR SEDAN	1932	75.00 ea.
18-56791	FORDOR SEDAN	1933	60.00 ea.
40-56791-F	FORDOR SEDAN, With Front mounted door handles	1934	85.00 ea.
40-56791-C	FORDOR SEDAN, With center mounted door handles	1934	60.00 ea.
48-56791-A	FORDOR SEDAN, Rubber bumpers on garnish moldings & doors	35-36	100.00 ea.
48-56791-B	FORDOR SEDAN, With felt strips on garnish moldings & doors	35-36	70.00 ea.
78-56791	FORDOR SEDAN	37-38	70.00 ea.
91A-56791	FORDOR SEDAN	39-40	70.00 ea.
11A-56791	FORDOR SEDAN	41-42	70.00 ea.
51A-56791	FORDOR SEDAN	46-48	70.00 ea.
COUPE BACK ROLL DOWN WINDOW CHANNEL KIT			
A-46108	COUPE, 3 Window Coupe & 5 Window Coupe	28-34	20.00 ea.
48-46108	COUPE, 3 Window Coupe & 5 Window Coupe	35-36	40.00 ea.
B-47106	WINDOW GLASS CHANNEL, Rear Roll Up Window, Coupe	30-36	8.75 ea.
A-48105-B	REAR ROLL UP WINDOW REGULATOR, 4 hole	30-36	35.00 ea.
A-48105/6-S	WINDOW REGULATOR SPRING	28-34	5.00 ea.
WRK-48105-D	WINDOW REGULATOR REPAIR KIT	40-50	19.95 ea.
PICKUP TRUCK WINDOW CHANNEL KITS			
B-45983-PU	PICKUP, TRUCK	32-34	60.00 ea.
50-45983-PUA	PICKUP, With rubber bumpers on garnish moldings & doors	35-37	85.00 ea.
50-45983-PUB	PICKUP, With felt strips on garnish moldings and doors	35-37	90.00 ea.
81C-45983-PU	PICKUP, TRUCK	38-39	85.00 ea.
01C-45983-PU	PICKUP, TRUCK	40-41	85.00 ea.
21C-45983-PU	PICKUP, TRUCK	42-47	85.00 ea.
DOOR GLASS ANT-RATTLERS 1940-1947 PICKUPS			
	<i>These are the one sided Cats Wiskers that the glass rides against at the bottom of the window opening. 1940-1952 sets do both doors and have black beads.</i>		
01C-8121452-SET		40-41	25.00 set
21C-8121452-SET		42-47	23.50 set

ORDERS ONLY 1-800-417-3347

WINDOW CHANNEL FASTENERS			
B-703563	WINDOW FELT FASTENER SCREWS	32-48	3.00 ea.
48-703536-A	WINDOW FELT FASTENER GATOR CLIPS	35-40	8.00 ea.
48-703536-B	WINDOW FELT FASTENER "Z" CLIPS	35-39	8.00 ea.
78-7033536	WINDOW FELT FASTENER STAPLES	37-48	3.00 ea.
U-45983-7	WINDOW CHANNEL STICK, (96")	32-56	22.50 ea.
U-45983-2	WINDOW CHANNEL STICK, One sided, Stainless Steel bead, (96")	32-56	13.50 ea.
WINDOW GLASS CHANNEL			
<i>The glass sits in these metal frames, connected to the window regulator. We have listed only two channels but they are available from 1932-1948. When ordering, please specify exact year, model, Front or Rear and right or left sides. Other years available please inquire.</i>			
48-45962	WINDOW GLASS CHANNEL, Right Front, 4 Door & Coupe	35-36	22.95 ea.
48-45963	WINDOW GLASS CHANNEL, Left Front, 4 Door & Coupe <i>Others Available - Please Inquire</i>	35-36	22.95 ea.
DOOR HANDLES & WINDOW CRANKS			
INSIDE DOOR HANDLE			
B-702400-E	INSIDE DOOR HANDLE, Chrome, Closed Cars	1932	10.00 ea.
A-702400-C	INSIDE DOOR HANDLE, Roadster/Phaeton	28-34	7.00 ea.
18-702400-A	INSIDE DOOR HANDLE, Roadster/Phaeton	1932	40.00 ea.
18-702401-R	CONTROL ROD, Roadster/Phaeton	1932	8.00 ea.
40-702400-E	INSIDE DOOR HANDLE, Chrome, Closed Car	33-34	9.00 ea.
46-702400-E	INSIDE DOOR HANDLE, Chrome, Pickup	32-34	10.00 ea.
48-702400-E	INSIDE DOOR HANDLE, Chrome, Closed Car & Pickup	1935	10.00 ea.
48-702400-G	INSIDE DOOR HANDLE, Grey, Deluxe	1935	10.00 ea.
68-702400-E	INSIDE DOOR HANDLE, Closed Car, 1936-37 Pickup	36-37	9.00 ea.
68-702400-G	INSIDE DOOR HANDLE, Gray, Deluxe (early 1936)	1936	10.00 ea.
68-702400-M	INSIDE DOOR HANDLE, Mahogany, Deluxe (late 1936)	1936	10.00 ea.
78-7022600-B	INSIDE DOOR HANDLE, Brown	1937	10.00 ea.
78-702400	INSIDE DOOR HANDLE, Chrome, Standard	37-37	10.00 ea.
81A-702400-A	INSIDE DOOR HANDLE, Chrome, Pickup	38-47	8.35 ea.
91A-7022600-B	INSIDE DOOR HANDLE, Brown	1939	12.00 ea.
91A-7022600-A	INSIDE DOOR HANDLE, Chrome, Standard	39-40	10.00 ea.
01A-7022600-B	INSIDE DOOR HANDLE, Brown, Deluxe,	1940	10.00 ea.
01A-702400	INSIDE DOOR HANDLE, Chrome, Deluxe	1940	10.00 ea.
11A-702400	INSIDE DOOR HANDLE, Chrome, Passenger Cars	41-48	10.00 ea.
WINDOW RISERS			
B-702780-E	INSIDE WINDOW RISER, Closed Car	1932	10.00 ea.
40-702780-E	INSIDE WINDOW RISER, Chrome, Closed Cars	33-34	9.00 ea.
46-702780-E	INSIDE WINDOW RISER, Chrome, Pickup	32-34	9.50 ea.
48-702780-E	INSIDE WINDOW RISER, Chrome, Passenger & Pickup	1935	12.00 ea.
48-702780-G	INSIDE WINDOW RISER, Painted Gray, Closed Car, Deluxe Cars	1935	15.00 ea.

32-48 Passenger Cars & 32-47 Pickup Trucks

68-702780-E	INSIDE WINDOW RISER, Chrome, Standard car, 1936-37 Pickup	36-37	10.00 ea.
68-702780-G	INSIDE WINDOW RISER, Light Gray, Gray knob, early Deluxe Cars	1936	15.00 ea.
68-702780-M	INSIDE WINDOW RISER, Dark Brown, Mahogany knob, late Deluxe Cars	1936	15.00 ea.
78-702780	INSIDE WINDOW RISER, Chrome	1937	15.00 ea.
78-7023342-A	INSIDE WINDOW RISER, Chrome with Light Brown knob, Standard Cars	1937	15.00 ea.
78-7023342-B	INSIDE WINDOW RISER, Brown with Yellowish Brown knob, Deluxe Cars	1937	15.00 ea.
81A-702780-A	INSIDE WINDOW RISER, Chrome, Pickup Trucks	38-40	15.00 ea.
91A-7023342-A	INSIDE WINDOW RISER, Chrome, with Light Yellow knob, Standard car	1939	15.00 ea.
91A-7023342-B	INSIDE WINDOW RISER, Brown with Light Yellow knob, Deluxe car	1939	15.00 ea.
91A-702780-A	INSIDE WINDOW RISER, Chrome, 39-40 Standard,	39-40	15.00 ea.
01A-7023342-A	INSIDE WINDOW RISER, Chrome, with Sand color knob, Standard car	1940	15.00 ea.
01A-7023342-B	INSIDE WINDOW RISER, Brown with sand color knob, Deluxe car	1940	17.50 ea.
01A-7023342-D	INSIDE WINDOW RISER, Chrome, Street rod, Deluxe	1940	15.00 ea.
01A-702780	INSIDE WINDOW RISER, Chrome, Deluxe Cars	1940	15.00 ea.
11A-7023342	INSIDE WINDOW RISER, Tan with Chrome knob	1941	15.00 ea.
11A-702780	INSIDE WINDOW RISER, All Chrome	1941	15.00 ea.
11C-8123342	INSIDE WINDOW RISER, Chrome with Black knob, Pickups	41-47	15.00 ea.
51A-7023342-A	INSIDE WINDOW RISER, Chrome with Chocolate knob, Deluxe Cars	1946	15.00 ea.
51A-7023342-B	INSIDE WINDOW RISER, Chrome with Blue & Gray knob, Super Deluxe	1946	15.00 ea.
51A-7023342-C	INSIDE WINDOW RISER, Chrome with Gray knob, Convertible, Sportsman, Station Wagon	46-48	15.00 ea.
A-46250-P	ROLL PIN SET (for mounting inside handles)	32-53	.25 ea.
VENT WINDOW HANDLES & ESCUTCHEONS			
01A-7022916/7	VENT WINDOW LEVERS, Chrome plated, includes buttons & all hardware, does both windows, Passenger Cars	1940	58.50 pr.
11A-702448	VENT WINDOW CRANK, Chrome	41-48	10.95 ea.
51A-7023410-CK	VENT WINDOW CRANKS & ESCUTCHEONS KIT, also for 46 Convertible	46-48	50.00 kit
51A-7023404-B	VENT WINDOW ESCUTCHEONS, Blue Gray, 46 Super Deluxe,	46-46	4.50 ea.
51A-7023404-BK	VENT WINDOW ESCUTCHEONS, Blue Gray, 2 Handle & Escutcheon, 46 Super Deluxe	46-46	50.00 kit
51A-7023404-CK	VENT WINDOW ESCUTCHEONS, Tan, kit includes: 2 crank handles & 2 Escutcheons, 1947-48 all, & 46 Convertible <i>Above three kits by Bob Drake, others available, inquire</i>	46-48	50.00 kit
01A-7022938	VENT WINDOW LEVER BRACKET REPAIR KIT	40-48	15.00 kit
11A-7022940	VENT WINDOW REGULATOR REPAIR KIT	41-48	29.95 kit
ESCUTCHEONS			
B-48139-A	UNIVERSAL ESCUTCHEON, spring loaded	32-53	5.00 ea.
B-48139-AS	ESCUTCHEON, Stainless Steel, Closed Car	1932	4.00 ea.
B-46270-S	ESCUTCHEON, Open Car	1932	15.00 ea.
40-48139-AS	ESCUTCHEON, Stainless Steel, Closed Car	33-34	3.95 ea.
40-48139-BC	ESCUTCHEON, Open Car	33-34	4.00 ea.
46-48139-AS	ESCUTCHEON, Stainless Steel, Pickup Truck	32-34	4.00 ea.
48-48139-AS	ESCUTCHEON, Stainless Steel, Closed Car & Pickup	35-36	4.00 ea.

ORDERS ONLY 1-800-417-3347

48-7022618-B	ESCUTCHEON, Gray, Closed Car, Deluxe	1935	3.50 ea.
68-48139-BC	ESCUTCHEON, Stainless Steel, Open Car,	35-36	4.00 ea.
68-7022618	ESCUTCHEON, Closed Car, Standard	36-36	3.50 ea.
68-7022618-B	ESCUTCHEON, Gray, Closed Car, Deluxe (early 1936)	1936	3.50 ea.
68-7022618-C	ESCUTCHEON, Closed Car, Deluxe (late) mahogany	1936	3.50 ea.
78-48139-SS	ESCUTCHEON, Stainless Steel, Passenger	1937	4.00 ea.
78-7022618-A	ESCUTCHEON, Gray Brown, Standard Cars	37-37	3.50 ea.
78-70226188-B	ESCUTCHEON, Yellowish Brown, Deluxe & Standard	1937	3.50 ea.
78-7022618-D	ESCUTCHEON, Stainless Steel	1937	4.50 ea.
81A-7022618-D	ESCUTCHEON, Deluxe & Standard	1938	3.50 ea.
81A-7022618	ESCUTCHEON, Tan	38-38	3.50 ea.
91A-48139-SS	ESCUTCHEON, Stainless Steel, 40 Standard	38-40	4.00 ea.
91A-7022618	ESCUTCHEON, Light Yellow, Deluxe & Standard	1939	3.50 ea.
91C-48139-SS	ESCUTCHEON, Stainless Steel, Pickup Truck	38-47	7.50 ea.
01A-7022618-D	ESCUTCHEON, Stainless Steel, large hole, Deluxe Passenger	1940	5.00 ea.
01A-7022618-A	ESCUTCHEON, Sand Color, use with Standard crank & handle, Standard	1940	3.50 ea.
01A-7022618-B	ESCUTCHEON, Sand Color, large hole, use with Deluxe crank & handle, Deluxe,	1940	3.50 ea.
11A-48139-SS	ESCUTCHEON, Stainless Steel, spring loaded, Passenger	41-48	6.95 ea.
11A-7022618	ESCUTCHEON, Tan, all models	1941	4.50 ea.
51A-7022618-A	ESCUTCHEON, Chocolate Color, Deluxe	1946	4.50 ea.
51A-7022618-B	ESCUTCHEON, Blue Gray, Super Deluxe	1946	4.50 ea.
51A-7022618-C	ESCUTCHEON, Gray Tan, Convertible, Wagon, Sportsman,	46-48	4.50 ea.
CONVERTIBLE DOOR LOCK ESCUTCHEON			
68-7622012	CONVERTIBLE DOOR LOCK ESCUTCHEON	36-36	15.00 ea.
78-7622012-PR	CONVERTIBLE DOOR LOCK ESCUTCHEON KIT, Chrome	37-40	25.00 kit
DOOR AREA			
DOVETAILS & STRIKERS			
18-35576-BS	FEMALE DOVETAIL, Black, 1932-36 Roadster/Phaeton	32-36	15.00 pr.
18-35576-SS	FEMALE DOVETAIL, Stainless Steel, 1932-36 Roadster/Phaeton	32-36	25.00 pr.
B-35576-BS	FEMALE DOVETAIL, Closed Car, Cabriolet & Pickup	33-34	16.50 pr.
B-35576-SS	FEMALE DOVETAIL, Stainless Steel, Closed Car, Cabriolet & Pickup	33-34	25.00 pr.
11A-702570	FEMALE DOVETAIL, Passenger Cars	41-48	19.95 pr.
18-35577-SS	MALE DOVETAIL, 1932 Closed Car, 1932-34 Pickups	32-34	5.50 ea.
40-35577-ASS	MALE DOVETAIL, 1933-40 Closed Car, 35-41 Pickup, 1932 3 Window	33-41	6.00 ea.
40-35577-BSS	MALE DOVETAIL, 1932-36 Roadster/Phaeton	32-36	5.50 ea.
11A-35577-A	MALE DOVETAIL, Cad plate, 1941-48 all bodies, 1942-52 Pickup,	41-52	3.00 ea.
11A-35577-ASS	MALE DOVETAIL, Stainless Steel, 1941-48 all bodies, 42-52 Pickup	41-52	6.95 ea.
DOVETAIL REPAIR KITS			
B-702574-RK	FEMALE DOVETAIL REPAIR KIT, Passenger & Pickup	32-34	6.00 kit
48-702574-RK	FEMALE DOVETAIL REPAIR KIT, all body	35-40	6.00 kit
11A-702574-RK	FEMALE DOVETAIL REPAIR KIT, Also for 48-52 Pickup	41-52	6.00 kit

32-48 Passenger Cars & 32-47 Pickup Trucks

Early Ford
U-8 Sales, Inc.

STRIKER PLATES			
B-702340	STRIKER PLATE, 1932 3 Window Coupe	1932	15.00 ea.
40-702340	STRIKER PLATE, Closed Cars & Pickup	32-34	6.50 ea.
40-35705	STRIKER PLATE, Roadster/Phaeton	33-36	12.00 ea.
81A-702340	STRIKER PLATE, 1935-39 Passenger, 1935-52 Pickup	35-52	6.50 ea.
81A-702340-SS	STRIKER PLATE, Stainless Steel, 35-39 Passenger, 35-52 Pickup	35-52	8.00 ea.
01A-702340	STRIKER PLATE, Spring Loaded, 1940 Closed Car, 1941-48 Wagon	40-48	6.50 ea.
11A-702340	STRIKER PLATE, Spring Loaded, Passenger Cars	41-48	8.50 ea.
11A-7022026	STRIKER PLATE PADS, Passenger Cars	41-48	1.00 ea.
PADS FOR OUTSIDE DOOR HANDLES			
B-7022428	PADS, 32-34 closed; 32-36 Pickup	32-34	4.50 pr.
B-7622428	PADS, 28-34 Open Car	28-34	4.00 pr.
48-7022428	PADS, 35-37 all, 37-47 Pickup	35-37	4.50 pr.
81A-7022428	PADS, 38-39 Passenger	38-39	4.00 pr.
01A-6622428	PADS, 1940 Convertible	1940	4.00 pr.
01A-7022428	PADS, 1940 Closed Car	1940	4.00 pr.
0A-7022428	PADS, 50-51 all Passenger	50-51	6.00 pr.
OUTSIDE DOOR HANDLES			
B-702350	OUTSIDE DOOR HANDLE, Right, except 3 Window Coupe & Cabriolet & Open	1932	25.00 ea.
B-702351	OUTSIDE DOOR HANDLE, Left, except 3 Window Coupe & Cabriolet & Open	1932	25.00 ea.
40-702350	OUTSIDE HANDLE, Right, Passenger, Cabriolet, also fits 1932 3 Window Coupe	33-34	27.50 ea.
40-702351	OUTSIDE HANDLE, Left, Passenger, Cabriolet, also fits 1932 3 Window Coupe	33-34	27.50 ea.
40-702350-1	OUTSIDE DOOR HANDLE, Left & Right, by Bob Drake, 33-34 Closed Car	33-34	75.00 ea.
46-702350	OUTSIDE DOOR HANDLE, Left & Right, 32-34 Pickup	32-34	30.00 ea.
A-702350-SS	OUTSIDE DOOR HANDLE, Stainless Steel, just like originals, 28-33 Open Cars	28-33	29.00 ea.
48-702350	OUTSIDE DOOR HANDLE, 1935 except Pickup	1935	25.00 ea.
50-702350	OUTSIDE DOOR HANDLE, 35-36 Pickup	35-36	28.00 ea.
68-702350-A	OUTSIDE DOOR HANDLE, Straight Style, 1936 except Pickup,	1936	25.00 ea.
68-70235-B	OUTSIDE DOOR HANDLE, Curved Style, also fits 1937 Pickup	1936	25.00 ea.
78-702350	OUTSIDE DOOR HANDLE, all models, Passenger	37-37	25.00 ea.
81A-702350-A	OUTSIDE DOOR HANDLE, Standard Passenger; 38-47 Pickup	1938	30.00 ea.
81A-702350	OUTSIDE DOOR HANDLE, Deluxe Passenger	1938	25.00 ea.
91A-702350	OUTSIDE DOOR HANDLE	1939	25.00 ea.
01A-702350	OUTSIDE DOOR HANDLE, Passenger	1940	25.00 ea.
01A-702350-A	OUTSIDE DOOR HANDLE, Convertible	1940	30.00 ea.
11A-702350	OUTSIDE DOOR HANDLE	1941	25.00 ea.
51A-702350	OUTSIDE DOOR HANDLE, 1946, early 1947	46-47	25.00 ea.
6A-702350	OUTSIDE DOOR HANDLE, Late	47-48	25.00 ea.
OUTSIDE DOOR HANDLES PICKUP TRUCK			
A8009B	EXTERIOR DOOR HANDLE SCREWS, Open Cars	32-37	1.50 ea.
A80089	EXTERIOR DOOR HANDLE SCREWS, Closed Cars	32-37	1.50 ea.

ORDERS ONLY 1-800-417-3347

VISA • MASTERCARD • DISCOVER

109

DOOR RUBBER BUMPERS			
B-46440	DOOR BUMPER, 32-36 Except Victoria/B-400 (Pickup 32-56)	32-36	1.00 ea.
78-702610	DOOR BUMPER, 37-48 Except Wagon	37-48	1.00 ea.
B-78222000-C	DOOR BUMPER, 32-39 Wagon, Convertible & Sedan	32-39	3.00 ea.
91A-7943916	TAIL GATE BUMPER, 39-41 Wagon	39-41	20.00 pr.
21A-7943916	TAIL GATE BUMPER, 42-48 Wagon	42-48	20.00 pr.
01A-702610	DOOR BUMPERS, 8 pieces, 1940 Convertible,	1940	5.00 set
11A-7023030-B	UPPER DOOR BUMPERS, Closed Cars	41-48	3.00 ea.
DOOR HARDWARE & LOCK CYLINDER			
51A-7121984	LOCK CYLINDER, With 2 keys, door locks	30-48	12.00 ea.
48-702302	DOOR LOCK CYLINDER, With flipper, by DRAKE	34-41	25.00 ea.
21A-702302	DOOR LOCK CYLINDER, With flipper, by DRAKE	42-48	25.00 ea.
HINGE PINS			
A-46250	PIN, for inside window or door handle, all except 40 Deluxe	32-48	.30 ea.
B-7022840	HINGE PIN, Universalsteel replacement with oil groove, except 32 Roadster	32-48	1.90 ea.
B-46335-SS	HINGE PIN, Polished Stainless Steel, extra long	32-48	2.75 ea.
DOOR CHECK STRAPS			
B-162592-L6	DOOR CHECK STRAP, Loop type, Rubber, (6")	28-36	3.50 ea.
B-162592-L7	DOOR CHECK STRAP, Loop type, Rubber, (7")	32-48	3.50 ea.
B-162592-L8	DOOR CHECK STRAP, Loop type, Rubber, (8")	32-48	3.50 ea.
B-42150-B	DOOR CHECK STRAP BRACKET, Chrome, for loop type	32-48	3.50 ea.
B-162592-S	DOOR CHECK STRAP BACK, for (T) type	32-36	3.50 ea.
B-162592-T	"T" DOOR STRAP, Rubber	30-36	6.00 ea.
B-702828	DOOR CHECK KIT, Sliding metal arm with rubber bumper, for Closed Cars	ALL	5.00 pr.
A-702828-B	RUBBER BUMPERS, For sliding metal arms, bumpers only	ALL	3.00 pr.
B-46590-A	DOOR CHECK BUMPER	32-34	3.00 ea.
HINGE SCREWS			
80025C	DOVETAIL SCREWS	33-48	1.00 ea.
80006D	HINGE SCREWS	37-40	2.50 ea.
80006A	DOOR HINGE SCREWS, set for one door, also fits 35-36 Pickup	32-36	2.00 set
SIDE CURTIN ROD SOCKETS			
A-180620	CURTAIN ROD SOCKET, Open Cars	33-38	5.50 ea.
DOOR SPRINGS: (PUT THE SNAP BACK IN YOUR DOOR LATCH)			
40-702267-B	SPRING	33-34	4.50 ea.
48-702267	SPRING, also fits early 1936	1935	4.50 ea.
78-702267	SPRING	36-37	4.50 ea.
81A-702267	SPRING	38-40	4.50 ea.
11A-702267	SPRING	41-48	4.50 ea.
11A-702268	SPRING	41-48	6.00 ea.
B-702269	"U" SHAPED REPAIR CLIP, for latch tabs that hold the door spring	32-48	1.45 ea.

32-48 Passenger Cars & 32-47 Pickup Trucks

OPERA COUPE BUMPERS			
01A-6760712	LEG BUMPERS	40-41	20.00 pr.
DOOR BOTTOM RUBBER WEATHERSTRIP SEAL			
40-701980	SEAL, Coupe/Tudor/Fordor	1932	15.00 ea.
40-701980	SEAL, Coupe/Tudor/Roadster/Fordor	33-34	15.00 ea.
40-701980	SEAL, Pickup	35-36	15.00 ea.
B-35702	SEAL, 2 Doors, Roadster	1932	6.00 pr.
B-36536	SEAL, 4 Doors, Phaeton	1932	9.00 set
48-701980	SEAL, Coupe/Tudor/Roadster/Fordor	35-36	7.50 ea.
78-701980	SEAL, Coupe/Tudor/Fordor	1937	6.00 ea.
81A-701980	SEAL, Coupe/Tudor/Fordor/Convertible	38-39	15.00 ea.
01A-701980	SEAL, Coupe/Tudor/Fordor	1940	6.00 ea.
11A-701980	SEAL, all Passenger types	41-48	6.00 ea.
91C-8120706	SEAL, Pickup, also fits 37-51 <i>Seals prices at \$6.00 are sold each, (40) inches long. Order one per Front door, and order one for two Rear doors.</i>	32-34	7.60 pr.
DOOR WEATHERSTRIP SEAL FOR TOP OF DOOR			
40-7043724-AS	KIT, 1932 3 Window & 5 Window Coupe; also fits 1933-34 Coupe/Tudor	32-34	10.00 kit
40-7043724-BS	KIT, Fordor	33-34	15.00 kit
48-7043724-AS	KIT, Coupe/Tudor	35-36	10.00 kit
48-731942/3	UPPER DOOR SEALS, Bonded corners, by Drake, 5 Window Coupe, Sedan Delivery	35-36	15.00 ea.
48-733542/3	UPPER DOOR SEALS, Bonded corners, by Drake, Fordor	35-36	20.00 ea.
48-7043724-BS	KIT, Fordor	35-36	15.00 kit
78-7043724-AS	KIT, Coupe/Tudor	37-48	10.00 kit
78-7043724-BS	KIT, Fordor	37-48	15.00 kit
EF-10	SEAL, sold by the foot	37-48	1.50 ft
DOOR JAMB SEAL FOR DOOR HINGE AREA			
48-701884/5	SEALS, Closed Car	35-36	25.00 pr.
78-701884/5	SEALS, Closed Car	1937	35.00 pr.
78-761884/5	SEALS, Convertible	37-40	20.00 pr.
81A-701884/5	SEALS, Closed Car	38-40	25.00 pr.
11A-701884/5	SEALS, Closed Car	41-48	25.00 pr.
11A-761884/5	SEALS, Convertible	41-48	20.00 pr.
BACK EDGE OF DOOR SEAL			
11A-7620546	BACK EDGE DOOR SEAL, Convertible	41-48	8.00 ea.
11A-7020535	BACK EDGE DOOR SEAL	41-48	8.50 ea.
A-19952-2.0	WEATHER STRIP ADHESIVE	32-53	6.95 ea.
STATION WAGON DOOR SEAL KITS			
21A-791980	DOOR SEAL KIT, Upper & Side, Fordor, Wagon	40-48	55.00 kit

ORDERS ONLY 1-800-417-3347

DOOR SCUFF PLATES

Listed below is a sample of scuff plates available. Please inquire for those not listed.

40-7113250-PR	DOOR SCUFF PLATES, Front, Roadster/Phaeton	33-34	110.00 pr.
40-7513262-PR	DOOR SCUFF PLATES, Rear, Phaeton	33-34	100.00 pr.
48-7713250-PR	DOOR SCUFF PLATES, Front, 5 Window Coupe Roadster, 4 Door & Phaeton	35-36	120.00 pr.
48-7313262-PR	SCUFF PLATES, 4 Door & Phaeton	35-365	120.00 pr.
48-7013250-PR	SCUFF PLATES, 2 Door Sedan, 3 Window Cabriolet	35-36	110.00 pr.
78-7013250-PR	SCUFF PLATES, 2 Door Sedan & Club Coupe	37-37	120.00 pr.
78-7313250-PR	SCUFF PLATES, 4 Door Sedan, 5 Window business Coupe and Sedan Delivery	37-37	120.00 pr.
81A-7013250-PR	DOOR SCUFF PLATES, Front, 2 Door Sedan & Convertible	38-39	80.00 pr.
81A-7313250-PR	DOOR SCUFF PLATES, Front, Coupe & 4 Door Sedan	38-39	80.00 pr.
81A-7313262-PR	SCUFF PLATES, Rear, 4 Door Sedan	38-39	69.00 pr.
01A-7013250-PR	SCUFF PLATES, Stainless Steel with lower door seal, 2 Door & Convertible	40-40	69.00 pr.
01A-7713250-PR	SCUFF PLATES, Front, Stainless Steel with lower door seal, Coupe, 4 Door, Sedan Delivery	40-40	60.00 pr.
01A-7313262-PR	SCUFF PLATES, Rear, 4 Door Sedan	40-40	60.00 pr.
11A-7013250-PR	SCUFF PLATES, 2 Door, Convertible, Sedan Coupe	41-48	52.50 pr.
11A-7713250-PR	SCUFF PLATES, Front, 4 Door Business Coupe, Sedan Delivery	41-48	52.50 pr.
11A-7313262-PR	SCUFF PLATES, Rear, 4 Door	41-48	52.50 pr.

SHEET METAL

1932 SHEET METAL

B-16527	RADIATOR SPLASH APRON	1932	35.00 ea.
18-17766	HARDWARE KIT, Radiator Splash Apron	1932	12.50 kit
B-114	COWL PATCH PANELS, all Passenger bodies	1932	74.95 pr.
B-131	BODY SUB FRAME CROSS RAILS, all Passenger bodies	1932	35.00 pr.
B-136	DOOR BOTTOM PATCH PANELS, Roadster	1932	45.00 pr.
B-336	DOOR BOTTOM PATCH PANELS, 5 Window Coupe	1932	45.00 pr.
B-436	DOOR BOTTOM PATCH PANELS, Tudor	1932	45.00 pr.
B-836	DOOR BOTTOM PATCH PANELS, Pickup	32-34	59.95 pr.
B-140	ROCKER PANELS, all Passenger bodies	1932	75.00 pr.
B-150	REAR QUARTER PATCH PANELS, Roadster length, if shortened will fit other body styles.	1932	68.50 pr.
B-158	FRAME HORN EXTENTION, Rear	1932	48.95 pr.
B-159	RUMBLE SEAT RISER, Roadster & 5 Window Coupe <i>Note . . . Front seat panels for 1932 Roadster available on special request.</i>	1932	29.95 ea.

1933-34 SHEET METAL

40-114	COWL PATCH PANELS, all Passenger bodies	33-34	42.95 pr.
40-350	REAR QUARTER PATCH PANELS, Made for 5 Window Coupe but can be adapted to other body styles	33-34	42.95 pr.
B-836	DOOR BOTTOM PATCH PANELS, Pickup	32-34	45.00 pr.
40-7010110-PR	ROCKER PATCH PANELS, 2 Door, 3 Window	33-34	79.00 pr.

32-48 Passenger Cars & 32-47 Pickup Trucks

40-16396	GAS TANK COVER, Stock with all holes, USA Made <i>Above also available without holes and recessed license plate, please specify.</i>	33-34	299.95 ea.
40-16082/3	INNER FRONT FENDER PANELS	33-34	209.95 pr.
40-41000	INNER REAR FENDER PANELS	33-34	95.00 pr.
40-16396-SK	GAS TANK COVER SCREWS	33-34	1.50 ea.
1935-36 SHEET METAL			
68-114	COWL PATCH PANELS, all Passenger bodies	35-36	42.00 pr.
67-114	COWL PATCH PANELS, Pickup	35-37	42.00 pr.
68-236	DOOR BOTTOM PATCH PANELS, 3 Window Coupe	35-36	48.95 pr.
68-336	DOOR BOTTOM PATCH PANELS, 5 Window Coupe	35-36	48.95 pr.
68-350	REAR QUARTER PATCH PANELS, all Passenger bodies	35-36	50.00 pr.
EF-1	REAR FENDER REPAIR SECTION, Right Side, 16 gauge steel, repairs the section that attaches to the running board	35-40	85.00 ea.
EF-2	REAR FENDER REPAIR SECTION, Left Side, 16 gauge steel, repairs the section that attaches to the running board	35-40	85.00 ea.
48-704053-A	TAIL PAN, Lower Rear body, Coupe, Roadster, Cabriolet	35-36	279.00 ea.
48-704053-B	TAIL PAN, Lower Rear body, Humpback Sedans	35-36	275.00 ea.
48-704053-C	TAIL PAN, Lower Rear body, Flatback Sedan & Phaeton	35-36	255.00 ea.
48-7010110-PR	ROCKER PATCH PANELS, 2 Door only	35-36	145.00 pr.
67-7010110-PR	ROCKER PANELS, Pickup	35-36	75.00 pr.
48-7010116-PR	FRONT DOOR HINGE POST TO FLOOR BRACE, Roadster & Phaeton	35-36	65.00 pr.
48-16554	RADIATOR TO CROSS MEMBER SHIELD, Passenger Cars	35-35	47.00 ea.
68-16554	RADIATOR TO CROSS MEMBER SHIELD, Passenger Cars	36-36	36.00 ea.
1937-48 SHEET METAL			
EF-176-L	QUARTER PANEL REPAIR, Left Side, Passenger	41-48	90.00 ea.
EF-176-R	QUARTER PANEL REPAIR, Right Side, Passenger	41-48	90.00 ea.
01A-870/1	QUARTER PATCH PANELS, Coupes, by Bob Drake	37-40	175.00 pr.
01A-870/3	QUARTER PATCH PANELS, by Bob Drake, Tudor & Convertible	37-40	175.00 pr.
01A-950	UNDER DECK LID PANEL, by Bob Drake, 1939 401 Coupe, 40 Convertible	37-40	325.00 ea.
78-350	REAR QUARTER PATCH PANELS, all Passenger bodies	37-40	45.00 pr.
11A-350	REAR QUARTER PATCH PANELS, all Passenger bodies	41-48	42.50 pr.
78-7010110/1	ROCKER PANELS, Passenger Cars	37-40	80.00 pr.
91A-7746100	TOOL TRAY METAL PANEL, Coupe & Convertible	39-40	275.00 ea.
78-704054-A	UNDER DECK LID PANEL, Slant Back, Coupe, Roadster & Cabriolet	37-38	255.00 ea.
91A-7040324	UNDER DECK LID PANEL, Sedans	38-40	200.00 ea.
91A-7740324	UNDER DECK LID PANEL, Coupe & Convertible	40-40	235.00 ea.
11A-7010110-PR	ROCKER PANELS, 2 Door only	41-48	52.50 pr.
6A-7040320	BELOW DECK LID PANEL <i>Other sheet metal available, please inquire.</i>	47-48	75.00 ea.

ORDERS ONLY 1-800-417-3347

FLOOR PANS 38-47 PICKUPS-CAB CORNERS, REPAIR PANELS

01C-100	REAR CAB REPAIR PANEL, fits lower Rear cab	40-47	75.00 ea.
81C-8111106	FLOOR PAN, Right, Pickup	38-41	100.00 ea.
81C-8111107	FLOOR PAN, Left, Pickup	38-41	100.00 ea.
21C-8111106	FLOOR PAN, Right, Pickup	42-47	100.00 ea.
21C-8111107	FLOOR PAN, Left, Pickup	42-47	100.00 ea.
EF-12-R	CAB CORNER, Right Side, Pickup Truck	38-47	46.95 ea.
EF-12-L	CAB CORNER, Left Side, Pickup Truck	38-47	46.95 ea.
EF-13-L	REPAIR PANEL, Front cowl section, Left Side, Pickup	38-47	89.95 ea.
EF-13-R	REPAIR PANEL, Front cowl section, Right Side, Pickup	38-47	89.95 ea.

DASH AREA

18-11804	INSTRUMENT PANEL, Engine Turned, Stainless Steel	1932	79.00 ea.
B-11810-SS	DASHBOARD SCREW SET, Stainless Steel	32-32	2.50 ea.
11A-15055	CIGAR LIGHTER WELL REPLACEMENT, 6V	35-55	20.00 ea.

DASH AREA 1940 FORD

01A-17255-B	INSTRUMENT GAUGE FACE KITS, 1940 Deluxe	1940	50.00 kit
01A-17255-A	INSTRUMENT GAUGE FACE KITS, 1940 Standard	1940	50.00 kit
01A-7004401-B	INSTRUMENT CLUSTER, Beige, Plastic	1940	40.00 ea.
01A-15030	CLOCK BEZEL, Beige, Plastic	1940	12.00 ea.
01A-9271-C	INSTRUMENT PANEL, Die cast, Chrome plated, USA Made	40-40	25.00 ea.
01A-7004690-K	DASH TRIM SET, 6 pieces, Chrome, USA Made by Bob Drake, Deluxe Cars	40-40	70.00 set
01A-9272-RC	RADIO CONTROL COVER, Chrome, USA Made	40-40	20.00 ea.
01A-9272-SSC	RADIO BLOCK OFF COVER, Stainless Steel	40-40	15.00 ea.
11A-7004402	DASHBOARD CENTER CHROME "FORD"	41-41	29.50 ea.
11C-16606	DASH "FORD" EMBLEM, Pickup	1941	20.00 ea.
21A-7004402	CENTER OF DASH CHROME ON SPEAKER GRILLE	42-48	40.00 ea.

DASH AREA 1942-48 FORD & MERCURY

M-9271	DASH SET FOR MERCURY, 3 piece, Cast Aluminum	42-48	275.00 set
21A-9271-C	DASH SET, FORD, 3 piece, all Chrome	42-48	185.00 set

DASH PLASTIC

11A-7004401-SY	DASH PLASTIC, Yellow Tan, Set of 2, Includes: Passenger side and instrument bezel, no clock, fits 1941 Super Deluxe	41-41	80.00 set
11A-7004401	DASH PLASTIC, Tan, Set of 2, Passenger side and instrument bezel, no clock, fits 1941 Super Deluxe	41-41	80.00 set
51A-7004401-SA	DASH PLASTIC, Set of 3, Chocolate, Speedo Bezel, Clock Bezel & Speaker Grille	46-46	140.00 set
51A-7004401-SB	DASH PLASTIC, Set of 3, Blue Gray, Speedometer Bezel, Speaker Grille, Clock Bezel, fits 46 Super Deluxe,	46-46	140.00 set
51A-7004401-SC	DASH PLASTIC, Set of 3, Gray Tan, Convertible & Station Wagon, Speedo Bezel, Speaker Grille & Clock Bezel	46-46	140.00 set
6A-7004401-SC	DASH PLASTIC, Set of 3, Gray Tan, Speedo Bezel, Speaker Grille, Clock Bezel, All Models	47-48	140.00 set

32-48 Passenger Cars & 32-47 Pickup Trucks

Early Ford
V-8 Sales, Inc.

RADIO ITEMS			
RA-1	RADIO KNOBS, Zenith Glove Box Radio	33-34	9.00 pr.
RA-2	RADIO KNOBS, Grisby Glove Box Radio	33-34	9.00 pr.
RA-3	RADIO KNOBS, Ash Tray Radio	33-34	7.00 pr.
RA-4	RADIO DIAL SET, Zenith	1940	9.00 set
RA-5P	RADIO KNOB & BUTTON SET, 3 piece, Philco	1940	9.95 set
RA-5Z	RADIO KNOB & BUTTON SET, 3 piece, Zenith	1940	9.95 set
RA-6P	RADIO DASHBOARD FACE PLATE, for Philco	1940	5.50 ea.
RA-6Z	RADIO DASHBOARD FACE PLATE, for Zenith	1940	5.50 ea.
RA-7	RADIO ANTENNA HOLD DOWN NUT, for Deluxe model	1940	2.00 ea.
01A-18807	RADIO HOOKS, to mount radio	40-41	5.00 pr.
01A-18808	SPECIAL NUT TO HOLD RADIO TO DASH	40-41	8.00 ea.
01A-7004352	RADIO SPEAKER GRILL, Standard & Deluxe	1940	65.00 ea.
01A-9272-RC	RADIO CONTROL COVER, Chrome	40-40	15.00 ea.
01A-9272-SSC	RADIO BLOCK OFF COVER, Stainless Steel	40-40	15.00 ea.
DASH KNOB SETS			
B-9270	Choke, Throttle, Dash Lamp, Starter Button, (Mahogany), 4 cyl	1932	18.00 set
18-9270	Choke, Throttle, Dash Lamp, (Mahogany), 8 cyl	1932	13.50 set
40-9270-A	Choke, Throttle, Glove Box, Ash Tray, (Mahogany)	1933	23.00 set
40-9270-B	Choke, Throttle, Glove Box, Ash Tray, (Brown Marble Effect)	1934	16.00 set
48-9270-A	Choke, Throttle, Cigar, Dash Lamp, Glove Box, Radio, (Maroon), fits Standard	1935	30.00 set
48-9270-B	Choke, Throttle, Cigar, Dash Lamp, Glove Box, Radio, (Ivory), fits Deluxe	1935	30.00 set
68-9270-A	Choke, Throttle, Cigar, Dash Lamp, Glove Box, Radio, (Dark Brown), fits Early Standard	1936	30.00 set
68-9270-B	Choke, Throttle, Cigar, Dash Lamp, Glove Box, Radio, (Tenite Light Gray), fits Early Deluxe	1936	30.00 set
68-9270-C	Choke, Throttle, Cigar, Dash Lamp, Glove Box, Radio, (Red/Brown with Gray Marble), fits Late 1936 Standard & Deluxe.	1936	30.00 set
78-9270-A	Choke, Throttle, Cigar, Dash Lamp, Radio, Ash Tray, (Light Brown), fits Standard	1937	35.00 set
78-9270-B	Choke, Throttle, Cigar, Dash Lamp, Radio, Ash Tray, (Yellow Brown), fits Deluxe	1937	28.00 set
81A-9270	Choke, Throttle, Cigar, Ash Tray, (Ivory)	1938	20.00 set
91A-9270	Choke, Throttle, Cigar, Ash Tray, (Light Yellow-Brown)	1939	30.00 set
99A-9270	for Mercury	1939	35.00 set
01A-9270-A	Choke, Throttle, Cigar, Ash Tray, Headlamp, (Sand)	1940	22.00 set
01A-9270-B	Choke, Throttle, Cigar, Ash Tray, Headlamp, (Red/Brown)	1940	22.00 set
11A-9270	Choke, Throttle, Headlamp, Cigar, Hood Pull, Dimmer, Wiper, Gearshift, (Light Tan)	1941	35.00 set
21A-9270-A	Choke, Throttle, Headlamp, Cigar, Hood Pull, Dimmer, Wiper, Gearshift, Ash Tray, Dimmer, (Maroon), fits Special	1942	35.00 set
21A-9270-B	Choke, Throttle, Headlamp, Cigar, Hood Pull, Dimmer, Wiper, Gearshift, Ash Tray, Dimmer, (Butterscotch), fits 1942 Deluxe & Super Deluxe	1942	35.00 set
51A-9270-A	Choke, Throttle, Headlamp, Cigar, Ash Tray, Hood Pull, Wiper, Gearshift, (Chocolate Brown), fits Deluxe	1946	35.00 set
51A-9270-B	Choke, Throttle, Headlamp, Cigar, Ash Tray, Hood Pull, Wiper, Gearshift, (Metallic Blue/Gray), fits Super Deluxe	1946	50.00 set

ORDERS ONLY 1-800-417-3347

VISA • MASTERCARD • DISCOVER

51A-9270-C	Choke, Throttle, Headlamp, Cigar, Ash Tray, Hood Pull, Wiper, Gearshift, (Grayish Tan), fits Super Deluxe Convertible, Station Wagon & Sportsman	1946	35.00 set
6A-9270	Choke, Throttle, Headlamp, Cigar, Ash Tray, Hood Pull, Wiper, Gearshift, (Grayish Tan with Black letters) fits Super Deluxe Convertible, Station Wagon & Sportsman	47-48	35.00 set
INDIVIDUAL KNOBS			
	<i>See "Dash Knob Sets" for color options. All knobs and buttons are by Carpenter except for 1939 which are usually by Bob Drake. Not all available knobs are listed. Please inquire if you do not see what you need.</i>		
78-18815-A	ANTENNA TURN KNOB	37-37	8.00 ea.
01A-18815	ANTENNA TURN KNOB, Open Car & Wagon	1940	5.00 ea.
7C-8101656	ASHTRAY KNOB	48-50	4.00 ea.
7C-9708	CHOKE KNOB	48-50	4.50 ea.
7C-9700-U	CHOKE OR THROTTLE CABLE - No Knob	48-up	7.00 ea.
7C-15052	CIGAR KNOB	48-50	5.00 ea.
11A-15055	CIGAR LIGHTER ELEMENT & WELL ASSEMBLY, 6V	48-55	20.00 ea.
11A-15055	CIGAR LIGHTER ELEMENT & WELL ASSEMBLY, 6V	48-55	20.00 ea.
91A-15032	CLOCK KNOB	1939	4.00 ea.
91A-7002145	COWL VENT KNOB	1939	4.50 ea.
78-7002145-B	COWL VENT KNOB	1937	4.50 ea.
01A-7002145-B	COWL VENT KNOB, Deluxe car	1940	6.50 ea.
01A-7002145-A	COWL VENT KNOB, Standard car	1940	5.50 ea.
91C-7213	GEAR SHIFT KNOB, Floor Shift	39-52	6.00 ea.
7C-7213	GEAR SHIFT LEVER KNOB, Column Shift, Ball Shape	48-55	5.00 ea.
7C-11661	HEADLIGHT SWITCH KNOB, with Shaft	48-50	7.00 ea.
7C-9700	HEATER BLOWER MOTOR, Air, Defrost & Temperature control	48-50	5.00 ea.
6A-11500-C	STARTER BUTTON, Chrome plated button, 6 & 8 cylinder	37-50	8.50 ea.
XX-11500	STARTER BUTTON	37-48	5.00 ea.
7C-9778	THROTTLE KNOB	48-50	4.50 ea.
1A-13305	TURN SIGNAL LEVER KNOB	48-56	4.00 ea.
91A-7003120	WINDSHIELD ROLL OUT KNOB	1939	15.00 ea.
XX-17513	WIPER KNOB, Note that they are in the SETS above 1941-48. For some years we need to know body style.	37-48	4.00 ea.
TRIM CLIPS & FASTENERS			
	<i>Below is a sample of clips available. Other year trim clip sets are available - Please inquire.</i>		
40-20001	RADIATOR GRILL CLIPS	1934	4.50 ea.
48-20001	RADIATOR GRILL CLIPS, Set of 34	1935	8.00 set
48-20004	SIDE OF HOOD CLIPS, Set of 32	1935	8.00 set
48-20000	TRIM CLIP KIT, Includes: 48-20001 & 48-20004	1935	15.00 kit
68-20001	CENTER GRILL STRIP CLIPS, Set of 6	1936	3.50 set
68-20002	OUTER GRILL STRIP CLIPS, Set of 16	1936	5.00 set

32-48 Passenger Cars & 32-47 Pickup Trucks

Early Ford
U-8 Sales, Inc.

68-20004	SIDE OF HOOD CLIPS, Set of 24	1936	6.50 set
68-20000	TRIM CLIP SET, Includes: 68-20001, 68-20002 & 68-20004	1936	14.00 set
91A-20001-B	TRIM CLIPS, Grill Bars, Set of 82	1939	14.50 set
91A-20003	TRIM CLIPS, Center of Hood, Set of 8	1939	4.00 set
91A-20004	TRIM CLIPS, Side of Grill, Set of 8	1939	3.50 set
91A-20005	TRIM CLIPS, Body Belt and Hood Side, Set of 70	1939	12.00 set
81A-20006	TRIM CLIPS, Body Belt Bolts, Set of 14	1939	6.00 set
91A-20000-B	TRIM CLIP SET, Includes: 91A-20001-B, 91A-20003, 91A-20004, 91A-20005, & 81A-20006, Deluxe Cars	1939	38.00 set
01A-20001	TRIM CLIPS, Deluxe grill, Set of 16	1940	5.00 set
01A-20002	TRIM CLIPS, Deluxe lower Front of hood fasteners, Set of 6	1940	3.50 set
01A-20003	TRIM CLIPS, Top center of hood strip, 8 pieces	1940	4.00 set
01A-20005	TRIM CLIPS, Body Belt clip set, 54 pcs	1940	10.50 set
11A-20003	HOOD CENTER MOLDING CLIPS	1941	4.50 ea.
11A-20008	QUARTER WINDOW FASTENER KIT, 24 pieces, 2door	41-48	6.25 kit
01A-20006	TRIM CLIPS, BODY BELT BOLT & NUT FASTENERS KIT	1940	4.00 kit
01A-20000-A	TRIM CLIP SET, Standard Cars (01A-20003, 01A-20005, 01A-20006)	1940	17.00 set
01A-20000-B	TRIM CLIP SET, Includes: 01A-20001, 01A-20002, 01A-20003, 01A-20004, 01A-20005, 01A-20006, Deluxe Cars	1940	25.00 set
21A-20000-B	TRIM CLIP SET, 2 Door Closed Cars, Complete Clip Set, Passenger	42-46	52.00 set
21A-20000-C	TRIM CLIP SET, 4 Door Car, Complete Clip Set, Passenger	42-46	55.00 set
6A-20000-A	BODY TRIM CLIP KIT	47-48	32.00 kit
U-29000-CLAK	UNIVERSAL CLIPS TO MOUNT BODY MOLDINGS, Set of 10	ALL	10.00 set
B-353037	DOOR PANEL CLIP SET	ALL	8.00 set
HARDWARE			
80905C	INTERIOR SCREW KIT, 4 Door	35-36	9.95 kit
FRAME AND UNDERBODY COMPONENTS			
PC-69	FLOOR DOUBLERS/SEAT MOUNTS, Left Hand	38-39	43.50 ea.
PC-70	FLOOR DOUBLERS/SEAT MOUNTS, Right Hand	38-39	43.50 ea.
FLOOR STIFFENERS/SEAT MOUNTS			
	<i>1940 Ford floor stiffeners/seat mounts, with (3/8-24) nuts and cages installed. Exact reproductions.</i>		
PC-92	FRONT, LEFT SIDE	1940	43.00 ea.
PC-93	FRONT, RIGHT SIDE	1940	43.00 ea.
PC-94	REAR, LEFT SIDE	1940	35.00 ea.
PC-95	REAR, RIGHT SIDE	1940	35.00 ea.
P-508	SET OF FOUR	1940	140.00 set
CROSSMEMBER			
PC-80	Frame Outer Rail To X-member 1937-40, Left Hand	37-40	72.00 ea.
PC-81	Frame Outer Rail To X-member 1937-40, Right Hand	37-40	72.00 ea.
PC-82	Frame Outer Rail To X-member 1935-36, Left Side	35-36	70.00 ea.
PC-83	Frame Outer Rail To X-member 1935-36, Right Side	35-36	70.00 ea.

ORDERS ONLY 1-800-417-3347

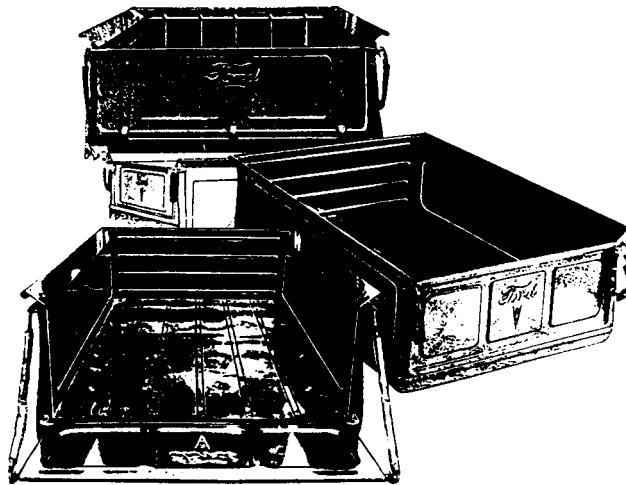
VISA • MASTERCARD • DISCOVER

117

PC-100	REAR, 1935-40 Passenger, 1935-41 Pickup	35-41	60.00 ea.
PC-102	BATTERY SUPPORT	35-36	30.50 ea.
BODY MOUNTS			
PC-63	FRONT, RIGHT	35-40	72.00 ea.
PC-64	FRONT, LEFT	35-40	95.00 ea.
PC-71	REAR, LEFT	35-40	67.50 ea.
PC-65	FRONT, RIGHT	35-40	95.00 ea.
PC-72	REAR, RIGHT	35-40	67.50 ea.
NUT CAGES & CAGE NUTS			
NUT CAGES			
PC-55	for (1/4) sq. nuts	ALL	1.82 ea.
PC-56	for (5/16) sq. nuts	ALL	1.50 ea.
PC-57	for (3/8) sq. nuts	ALL	1.78 ea.
SQUARE NUTS			
PC-58	SQUARE NUTS, (1/4-20)	ALL	.15 ea.
PC-59	SQUARE NUTS, (5/16-18)	ALL	.25 ea.
PC-60	SQUARE NUTS, (5/16-24)	ALL	.57 ea.
PC-61	SQUARE NUTS, (3/8-16)	ALL	.25 ea.
PC-62	SQUARE NUTS, (3/8-24)	ALL	.65 ea.

PICKUP BEDS

Complete Pickup beds available 1932-1956. Individual component parts also available.
Beds may be purchased as kits or completely assembled units. Call us for prices.



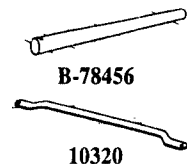
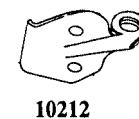
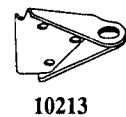
HEADLINER KIT

Kits include roof, right/left sides of back window, below back window center, left & right side of below back window, one pair under dash kick panels, screws, washers and clips necessary to install are also included. Shipped via truck.

01C-8151968-BL	HEADLINER KIT, Black	40-47	160.00	kit
01C-8151968-GR	HEADLINER KIT, Green	40-47	160.00	kit

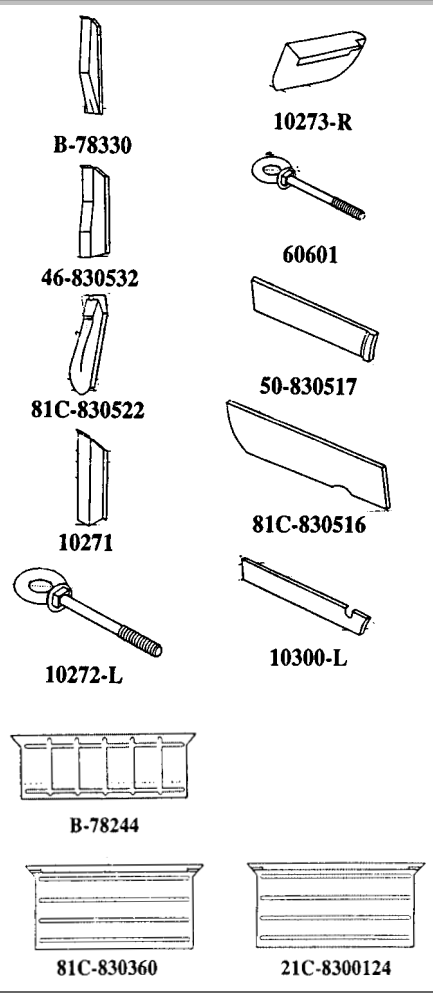
PICKUP TRUCK BED PARTS

10200	TAILGATE HOOK	32-37	6.00	ea.
B-78438	TAILGATE HOOK, Primed	38-52	6.00	ea.
B-78438-SS	TAILGATE HOOK, Stainless Steel	38-52	10.00	ea.
46-830824	RETAINER SPRING/ TAILGATE HOOK	33-50	4.75	ea.
10204	TAILGATE CHAIN, 18 links	31-37	4.00	ea.
10205	TAILGATE CHAIN, 13 links	38-56	4.00	ea.
B-78420	CHAIN COVER, Black	26-52	8.00	pr.
10207	CHAIN TOP LINK	26-37	2.00	ea.
10207-SS	CHAIN TOP LINK, Stainless Steel	26-37	4.00	ea.
10208	CHAIN TOP LINK	38-50	8.00	ea.
10212	TAILGATE CHAIN BRACKET	31-37	8.50	ea.
10213	TAILGATE CHAIN BRACKET	38-50	6.00	ea.
B-78446	TAILGATE HINGE, need 3	31-36	6.00	ea.
81C-830860	TAILGATE HINGE	37-52	8.50	ea.
81C-830860-SS	TAILGATE HINGE, Stainless Steel	37-52	17.50	ea.
B-78456	TAILGATE HINGE ROD	31-36	15.00	ea.
10320	TAILGATE TOP BAR	31-37	16.00	ea.
10322	TAILGATE HINDGE STRAP, need 2 per tailgate	31-36	18.00	ea.
10323	TAILGATE HINDGE STRAP, need 1 per tailgate	31-36	18.00	ea.



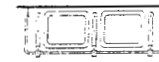
ORDERS ONLY 1-800-417-3347

BED MOUNTING HARDWARE			
10328	BED MOUNT BOLT, 3 3/4"	32-50	3.00 ea.
10329	BED MOUNT BOLT, 8"	35-50	8.95 ea.
10330	BED BOLT, Carriate	35-50	9.50 ea.
FRONT BED STAKE POCKETS			
B-78330	FRONT BED STAKE POCKETS	31-37	34.00 ea.
REAR BED STAKE POCKETS			
46-830532	REAR BED STAKE POCKETS	31-37	34.00 ea.
BED STAKE POCKETS, Front & Rear			
81C-830522	BED STAKE POCKETS, Front & Rear	38-50	29.50 ea.
REAR STAKE POCKET BRACE, Left			
10272-L	REAR STAKE POCKET BRACE, Left	38-50	18.00 ea.
REAR STAKE POCKET BRACE, Right			
10273-R	REAR STAKE POCKET BRACE, Right	38-50	18.00 ea.
LOWER BED SIDE, Right			
50-830516	LOWER BED SIDE, Right	35-37	30.00 ea.
LOWER BED SIDE, Left			
50-830517	LOWER BED SIDE, Left	35-37	30.00 ea.
LOWER BED SIDE, Right			
81C-830516	LOWER BED SIDE, Right	38-41	17.50 ea.
LOWER BED SIDE, Left			
81C-830517	LOWER BED SIDE, Left	38-41	17.50 ea.
LOWER BED SIDE, Left			
10300-L	LOWER BED SIDE, Left	42-47	23.00 ea.
LOWER BED SIDE, Right			
10301-R	LOWER BED SIDE, Right	42-47	23.00 ea.
BED FRONT PANELS, (46") wide			
B-78244	BED FRONT PANELS, (46") wide	32-37	200.00 ea.
BED FRONT PANELS, (46") wide			
81C-830360	BED FRONT PANELS, (46") wide	38-41	169.95 ea.
BED FRONT PANELS, (49") wide			
21C-8300124	BED FRONT PANELS, (49") wide	42-40	155.00 ea.
PICKUP BED SIDES			
<i>Complete bed sides are available for Ford Pickups years 1932-72. Please inquire as to current pricing.</i>			
PICKUP BED WOOD			
88003	BED MOUNTING WOOD, 2 PIECE	35-37	25.00 set
88012	BED FLOORING WOOD, Oak	32-32	230.00 ea.
88013	BED FLOORING WOOD, Oak	33-34	230.00 ea.
88014	BED FLOORING WOOD, Oak	35-36	230.00 ea.
88015	BED FLOORING WOOD, Oak	38-41	230.00 ea.
88016	BED FLOORING WOOD	38-41	230.00 ea.
88017	BED FLOORING WOOD, Oak	42-50	230.00 ea.
BED STRIPS, ALL HOLES PUNCHED			
7C-8112605-CR	BED STRIPS, steel, (76 3/4), Set of 7 Each Piece Separately	48-56	75.00 set 15.00 ea.
7C-8112605-SS	BED STRIPS, Stainless Steel, (76 3/4), Set of 7 Each Piece Separately	48-56	175.00 set 29.00 ea.
7C-8112605-SSP	BED STRIPS, Polished Stainless Steel	48-56	240.00 ea.

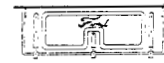


32-48 Passenger Cars & 32-47 Pickup Trucks

BED STRIPS, NO HOLES PUNCHED			
7C-8112605-CRU	BED STRIPS, Steel, (76 3/4)	48-56	50.00 ea.
7C-8112605-SSU	BED STRIPS, Stainless Steel, (76 3/4)	48-56	95.00 ea.
7C-8112605-SSUP	STAINLESS BEDSTRIPS, Polished, no holes	32-56	120.00 ea.
CUSTOM FLOOR WOOD KITS			
<i>Kit includes, Red Oak Boards, Stainless Bed Strips & Stainless Hardware. Same Kits Available With Steel Strips And Steel Hardware \$290.00. Steel bed floor covering available, please inquire.</i>			
88022/1	CUSTOM FLOOR WOOD KIT	32-36	385.00 kit
88023/1	CUSTOM FLOOR WOOD KIT	37-37	385.00 kit
88024/1	CUSTOM FLOOR WOOD KIT	38-41	385.00 kit
88025/1	CUSTOM FLOOR WOOD KIT	42-50	385.00 kit
TAILGATE			
46-40700	TAILGATE, with hinge straps	31-34	285.00 ea.
50-40700	TAILGATE, with hinge straps	35-36	295.00 ea.
77-40700	TAILGATE, (46 3/4) wide	37-37	285.00 ea.
81C-830700	TAILGATE, (46 3/4) wide	38-40	300.00 ea.
11C-40700	TAILGATE, (46 3/4) wide	41-41	295.00 ea.
21C-8340700	TAILGATE, (49 3/4) wide	42-50	295.00 ea.
TAILGATE HINGE & CROSSMEMBER			
10218/1	TAILGATE HINGE ROD, Stainless	31-36	28.00 ea.
10315	TAILGATE END	38-50	8.00 ea.
10322	TAILGATE HINGE STRAP, Long, need 2	31-36	18.00 ea.
10323	TAILGATE HINGE STRAP, Short, need 1	31-36	18.00 ea.
21C-83106610	FRONT CROSSMEMBER	42-50	40.00 ea.
22016	CENTER CROSSMEMBER	42-50	50.00 ea.
22017	CENTER CROSSMEMBER	42-50	50.00 ea.
20337	BED REAR CROSSMEMBER, also fits 1937	32-36	48.00 ea.
81C-830108	BED REAR CROSSMEMBER	38-41	49.95 ea.
20339	BED REAR CROSSMEMBER	42-40	52.50 ea.
10265	SPECIAL FENDER TO BED BOLT, flat head	31-66	.75 ea.
PICKUP BED RIVITS & TOOLS			
99017	RIVIT SET, all rivits to restore bed	31-56	24.50 set
99022	RIVIT TOOL MANUAL, (3/8)	31-56	12.00 ea.
99023	RIVIT TOOL MANUAL, (1/4)	31-56	12.00 ea.
99020	RIVIT TOOL AIR, (3/8)	31-56	18.50 ea.
99021	RIVIT TOOL AIR, (1/4)	31-56	18.50 ea.



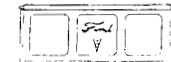
46-40700



50-40700



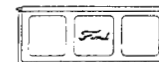
77-40700



81C-830700



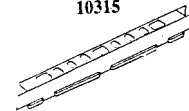
11C-40700



21C-8340700



10315



20337



81C-830108



20339

ORDERS ONLY 1-800-417-3347

FLATHEAD PERFORMANCE PARTS

OFFENHAUSER CYLINDER HEADS - INTAKE MANIFOLDS:

EF-1068	FINNED ALUMINUM HIGH COMPRESSION CYLINDER HEADS	39-48	550.00 pr.
EF-48	STAINLESS HEAD WASHER SET	32-53	12.50 set

GASKETS

59A-6051-BB	BIG BORE HEAD GASKET	39-48	34.95 ea.
-------------	----------------------	-------	-----------

DUAL INTAKE MANIFOLDS

EF-1090	STANDARD DUAL INTAKE	32-48	240.00 ea.
---------	----------------------	-------	------------

FINNED ALUMINUM HIGH COMPRESSION CYLINDER HEADS

Super dual intakes: Include fan bracket if applicable. Correct generator bracket (by year), thermostat & water elbow (49-53).



EF-1071	SUPER DUAL INTAKE	32-41	245.00 ea.
EF-1073	SUPER DUAL INTAKE	42-48	274.95 ea.

TRIPLE INTAKE - SAME ACCESSORIES AS SUPER DUAL

EF-1072	TRIPLE INTAKE	32-41	240.00 ea.
EF-1074	TRIPLE INTAKE	42-48	325.00 ea.

FOUR BARREL INTAKE

EF-1079	FOUR BARREL INTAKE	32-48	245.00 ea.
EF-HOLLY MT	HOLLY MOUNT PLATE FOR FOUR BARREL	ALL	35.00 ea.

CARBURETOR LINKAGE (PASSENGER SIDE)

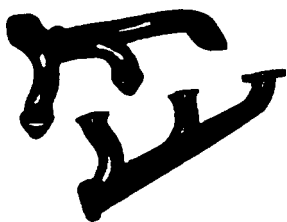
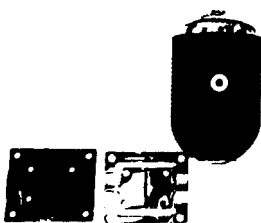
EF-1001	SINGLE END, (3 1/2")	32-53	10.95 ea.
EF-1002	SINGLE END, (7 ")	32-53	14.94 ea.
EF-1003	SINGLE END, (9 ")	32-53	14.95 ea.
EF-1004	STANDARD DUAL (3.5") BALL TO BALL	32-53	18.95 ea.
EF-1005	DUAL (7") BALL TO BALL	32-53	19.95 ea.
EF-1006	DUAL (9") BALL TO BALL	32-53	21.95 ea.
EF-1007	LINKAGE SLEEVE (1/4")	32-53	4.95 ea.

CARBURETOR LINKAGE (DRIVERS SIDE)


Must Have Extended Throttle Shaft On Left Side

EF-2864	STANDARD DUAL	32-53	24.95 ea.
EF-2865	SUPER DUAL	32-53	24.95 ea.
EF-6271	TRIPLE/PROGRAM	32-53	64.95 ea.
EF-2866	TRIPLE/UNISON	32-53	38.95 ea.

32-48 Passenger Cars & 32-47 Pickup Trucks

REBUILT CARBURETOR			
<i>We Have In Stock A Good Supply Of Professionally Rebuilt Carburetors. Model 97 Strombergs And Model 94's. Sold Exchange Or Outright.</i>			
97-9510-REB	STROMBERG MODEL 97 REBUILT CARBURETOR. Core Charge \$100.00	36-38	175.00 ea.
94-9510-REB	MODEL 94 REBUILT, Core Charge \$40.00		115.00 ea.
ISKENDERIAN CAM			
EF-217700	CAM SHAFT, State Grind Choice	32-48	289.95 ea.
ENGINE HEADERS			
			
EF-7101	FENTON CAST IRON HEADERS	36-53	299.95 pr.
EF-7104	HEADER PIPES, Steel, Passenger, Pickup	32-34	179.95 ea.
EF-7105	HEADER PIPES, 35-38, 39 Standard, Passenger & Pickup	35-39	179.95 ea.
EF-7106	HEADER PIPES, 39 Deluxe, 40-41 Passenger & Pickup	39-41	179.95 ea.
EF-7111	HEADER PIPES, Passenger, 42-47 Pickup	41-48	179.95 ea.
SMITTY MUFFLERS			
EF-5120	SMITTY MUFFLERS	32-53	39.50 ea.
HIGH SPEED RING & PINION GEARS			
<i>FITS 1935 - 1948 PASSENGER CARS AND 1935-1941 PICKUPS</i>			
<i>NOTE: 1935-1937 REQUIRE DRIVE SHAFT SPLINE ADAPTER</i>			
EF-4209-AD	SPLINE ADAPTER 35-37 <i>All bearings, seals and gaskets necessary to install your high speed ring & pinion are available; please see Rear end section on page 19.</i>	37-37	39.95 ea.
FLATHEAD ACCESSORIES			
			
EF-3494	OIL FILTER MOUNTING SPACER, Gets filter above cylinder fins	32-53	12.95 ea.
EF-1081	OFFY POLISHED ALUMINUM FUEL BLOCK	32-56	35.95 ea.
EF-3495	CARBURETOR COVER, Small 4 Bolt	32-53	15.95 ea.
EF-3497	CURVED WATER TUBE, for offset generator, clearance on 49-54	49-54	23.95 ea.
EF-1097	FINNED ALUMINUM CARB BLANK OFF	32-53	15.95 ea.

ORDERS ONLY 1-800-417-3347

EF-3496	OFFSET THERM. HSG. FOR GENERATOR CLEARANCE		36.95 ea.
EF-5265	FUEL PUMP BLOCK OFF PLATE	42-48	15.95 ea.
EF-5248	LARGE CARBURETOR BLOCK OFF PLATE	32-53	19.95 ea.
EF-6180	CARBURETOR ARM LEFT SIDE	32-53	3.95 ea.
EF-11001	CARBURETOR VELOCITY STACK	32-53	24.95 ea.
			
STAINLESS STEEL GENERATOR & STARTER COVERS			
EF-8	GENERATOR COVER, Stainless Steel, 1 hole	38-41	24.95 ea.
EF-9	GENERATOR COVER, Stainless Steel, 2 hole	42-48	24.95 ea.
GENERATOR FAN BRACKETS FOR DUAL & TRIPLE INTAKES			
EF-1094	GENERATOR BRACKET, Passenger side	38-48	39.95 ea.
EF-1093	GENERATOR BRACKET, Drivers side	38-48	39.95 ea.
EF-3499	FAN CARRIER BRACKET	32-53	35.95 ea.
12 VOLT CONVERSION ACCESSORIES			
EF-411	12 VOLT FIELD COILS GENERATOR	32-55	54.95 ea.
EF-90502	WIDE BELT ALTERNATOR PULLEY <i>We also have available completely rebuilt starters & generators converted to 12 volts. Please inquire as to availability & price</i>		29.95 ea.
ALTERNATOR BRACKETS			
EF-67908	ALTERNATOR BRACKET, Plain	32-42	42.95 ea.
EF-67907	ALTERNATOR BRACKET, Chrome	32-42	74.95 ea.
EF-67910	ALTERNATOR BRACKET, Plain	46-53	54.90 ea.
EF-67909	ALTERNATOR BRACKET, Chrome	46-53	84.95 ea.
ALTERNATORS			
ALT-10000-6V	ALTERNATOR, 6 Volt positive ground	32-53	119.95 ea.
ALT-10000-12V	ALTERNATOR, 12 Volt negative ground	28-53	89.95 ea.
EF-1105	OPEN DRIVELINE CONVERSION KIT -6 Spline	32-48	295.00 ea.

32-48 Passenger Cars & 32-47 Pickup Trucks

Early Ford
V-8 Sales, Inc.

BOOKS

EARLY FORD V8

V-1	Restorer's Guide 1932 Ford, 4 and 8 Cyl	\$ 8.00 ea.
V-2	Service Instruction, 4 and V8, 1932	12.00 ea.
V-3	Restorer's Guide 1933 Ford, 4 and 8 Cyl	8.00 ea.
V-4	Ford Service Instructions 1933	12.00 ea.
V-5	Restorer's Guide for 1934	7.00 ea.
V-6	Ford Service Bulletins, 1934	11.00 ea.
V-7	Restorer's Guide for 1935	8.00 ea.
V8	Restorer's Guide for 1936	8.00 ea.
V-9	Ford Maintenance Manual 1932 to 1948	8.00 ea.
V-10	Repair Manual, Ford-Mercury, 1937-48	8.00 ea.
V-11	Instruction Book, 1934 Ford V8	8.00 ea.
V-13	1932 to 1936 Mechanics Repair Manual	20.00 ea.
V-14	1937 to 1938 Mechanics Repair Manual	20.00 ea.
V-15	1939 and 1940 Ford-Mercury Repair Manual	20.00 ea.
V-16	Reference Book for 1940 Ford	8.00 ea.
V-17	Reference Book for 1936 Ford	8.00 ea.
V-18	Instruction Book, 4-Cylinder, 1932-33-34	8.00 ea.
V-19	Instruction Book, V8 Cylinder, 1932-33	8.00 ea.
V-20	Reference Book for 1937 Ford	8.00 ea.
V-21	Reference Book for 1938 Ford	8.00 ea.
V-22	Owner's Reference Book for 1939 Ford	8.00 ea.
V-23	Owner's Reference Book for 1941 Ford	8.00 ea.
V-24	Manual, Ford-Mercury-Lincoln, 1946-48	23.00 ea.
V-28	Ford Service Manual, 1949-50, Car and Truck	14.00 ea.
V-32	Body Parts List, 1932 Model B Ford	14.00 ea.
V-33	Body Parts List, 1933 and 1934 Ford	8.00 ea.
V-34	Chassis Parts List, 1928 to 1937 Ford	30.00 ea.
V-35	Body Parts List, 1935 and 1936 Ford	11.00 ea.
V-37	Body Parts List for 1937 and 1938 Ford	11.00 ea.
V-38	Chassis Parts List, 1938-41 Ford	20.00 ea.
V-39	Body Parts List for 1939 and 1940 Ford	11.00 ea.
V-40	Operator's Manual "F" Series Truck 1951-52	8.50 ea.
V-41	Commercial Car and Truck 1932-37	10.00 ea.
V-42	Owner's Reference Book for 1942 Ford	8.00 ea.
V-43	Commercial Car and Truck, 1938-41	9.00 ea.
V-44	Ford Body Part Manual 1944-52	38.00 ea.
V-46	Operator's Manual 1946 Ford V8	7.00 ea.
V-47	Operator's Manual 1947 Ford V8	7.00 ea.
V-48	Operator's Manual 1948 Ford V8	7.00 ea.
V-49	Mechanic's Handbook, 1949, V8 and 6 Car	7.00 ea.
V-50	Operator's Manual 1950 Ford V8	6.00 ea.
V-51	Operator's Manual 1951 Ford V8	6.00 ea.

ORDERS ONLY 1-800-417-3347

VISA • MASTERCARD • DISCOVER

125

V-53	Ford Body Parts List 1953-1957		34.00 ea.
V-55	Ford Shop Manual 1955		28.00 ea.
M-1	Mercury Reference Book for 1939		6.00 ea.
P-10	Ford V8 Service Bulletins, 1932-1937		25.00 ea.
P-14	Ford Service Bulletins, 1938-40		25.00 ea.
P-15	Ford 1946-48 Sales-Data-Access'y		18.00 ea.
C-11	Ford Owner's Handbook, Repair and Maint.		12.00 ea.
P-17	Ford Service Bulletins 1941-48		25.00 ea.
P-18	Ford Shop Manual 1949-51		40.00 ea.
P-52	Ford Shop Manual 1952-54		40.00 ea.
TR-53	Truck Operator's Manual		6.00 ea.
TR-54	Truck Operator's Manual		6.00 ea.
TR-55	Truck Operator's Manual		6.00 ea.
TR-56	Truck Operator's Manual		6.00 ea.
P-22	The Ins and Outs of Early Ford Transmission		35.00 ea.
P-23	Ford Pickups 1932-52 Pictorial		20.00 ea.
P-24	Ford in the Thirties		5.00 ea.
P-25	Ford Flathead		20.00 ea.
P-27	California Bill's Ford Speed Manual 32-53		15.00 ea.
HARDWARE, TRIM & PAINT			
RMB	Antique Ford Repaint Manual, 1928-1936		22.00 ea.
PF-2	Hardware and Trim Catalog, Ford 1928-38		17.00 ea.
P-26	EARLY FORD 32-42 ALBUM		20.00 ea.
V-25	Early V8 Refurbish Manual 1937-48		20.00 ea.
V-91	1935-36 Columbia Instructions		5.00 ea.
V-92	1937 Columbia Instructions		5.00 ea.
V-93	1940 Columbia Instructions		5.00 ea.
V-94	1935-40 Columbia Parts List		5.00 ea.
V-95	1941-48 Columbia Parts List		7.00 ea.
V-96	1941-48 Columbia Instructions		5.00 ea.
V-124	Rebuilding The Famous Flathead 1932-53	15.00 ea.	

32-48 Passenger Cars & 32-47 Pickup Trucks

FORD SHOP MANUALS		
SM-1	1932-41 Service Handbook, 240 pages, 102 illustrations, wiring diagrams, Passenger & Commercial, 8 1/2 x 11	25.00 ea.
SM-2	1939-48 Ford & Mercury Shop Manual, Passenger & Commercial, covers all phases of repair, 475 pages, 550+ illustrations	30.00 ea.
SM-3	1949-1952 F Series Truck Shop Manual, 480 pages, 900+ illustrations, 8 1/2 x 11. Great Manual for the restorer or owner	35.00 ea.
SM-4	1953-54 F Series Truck Shop Manual, 550 pages, 900+ illustrations, 8 1/2 x 11 Great for the restorer or owner	35.00 ea.
SM-5	1949-51 Lincoln/Mercury Shop Manual, 8 1/2 x 11", 860 pages with Auto Transmission Supplement. The Most Complete Shop Manual available for Lincoln/Mercury Cars	39.95 ea.
SM-6	1956 Ford F100 Shop Manual, 432 pages	35.00 ea.
SM-7	1956 Ford T-Bird Shop Manual, 367 pages	30.00 ea.
SM-8	1954-55 Ford Truck Shop Manual, 416 pages	35.00 ea.
SM-9	MODEL A SHOP MANUAL, 427 Page Illustrated, 1928-31	15.00 ea.
PM-1	Chassis Parts & Accessories Manual 49-53, Illustrated 496 Pgs, Pass Cars	40.00 ea.
PM-2	Chassis Parts & Accessories Manual 48-54, Pickup Trucks, Illustrated 656 pgs	50.00 ea.
PM-3	Mercury Chassis Parts Catalog 39-48, 243 pages	35.00 ea.
PM-4	Mercury Chassis Parts Catalog 49-52, 399 pages Illustrated	55.00 ea.
PM-5	Mercury Body Parts Catalog 46-48	20.00 ea.
PM-6	Mercury Body Parts Catalog 1950	20.00 ea.
P-13	THE EARLY FORD V8 AS HENRY BUILT IT. <i>With 220 pages, 300 photos, mostly from Ford archives, this book covers 1932-38 in great, great detail. Body color data, interior trim data, design and development facts. No true 1932-38 hobbyist should be without this book.</i>	\$39.95 ea.
ACTUAL COLOR PAINT CHIPS		
	1928-36 order book RMB above.	
	1937-48 order book V-25 above.	

ORDERS ONLY 1-800-417-3347

A		Connecting Rod Area 28	Engine Related Hardware 24, 31	
Accelerator Pedals 57	Connecting Rod Bearings 28, 35	Connecting Rod Bearings 35	Engine Section, 49-56 31	
Accelerator Rods & Springs 57	Connecting Rod Bearings 35	Connecting Rod Bushings 28, 34	Engine, 6 Cylinder 24	
Accessories And Supplies 3	Convertible Door Lock Escutcheon 108	Convertible Part Seals 103	Escutcheons 107	
Air Cleaner 3	Convertible Window Channel Kits 104	Convertible Window Channels & Seals 103	Exhaust Deflector 3, 22	
Alternator 58	Cooling System 43	Countershaft 40	Exhaust Gaskets 23	
Alternator Brackets 124	Cowl Area 99	Cowl Lacing Kits 80	Exhaust Manifold Gaskets 26, 32	
Antenna 93	Cowl Lacing Kits 80	Cowl Lamp 73	Exhaust Pipe 22	
B		Cowl Light Wire 67	Exhaust System 21	
Baby Moon Hub Caps 5	Cowl Mount Mirrors 90	Cowl To Firewall Seal 80		
Battery 21	Crankshaft Area 29, 35	Crankshaft Main Bearing Set 35	F	
Battery Cables 64	Crankshaft Seals 29, 35	Crossmember 117	Fan Belts 50	
Battery Charger & Tender 3	Crossmember 117	Crossover Pipe 22	Fan Hub Gaskets 51	
Bed Mounting Hardware 120	Cylinder Head Hardware 27	Cylinder Head Studs 27, 34	Fender Brace Panels 82	
Bed Strips 120	Cylinder Head Studs 27, 34	Cylinder Sleeves 26, 34	Fender Braces 81	
Body 81	D		Fender Emblems 83	
Body Mounts 118	Dash Area 114	Dash Knob Sets 115	Fender Hardware 82	
Body Number Plates 93	Dash Knob Sets 115	Dash Light Dimmer Switches 78	Fender Moldings 82	
Body To Frame Bolt Kits 20	Dash Light Dimmer Switches 78	Dash Plastic 114	Fender Mounting Hardware 81	
Body To Frame Pad Sets 20	Dash Plastic 114	Dash Sockets & Clock Wire & Socket 68	Fender Skirts 81	
Body Wire 66	Dash Sockets & Clock Wire & Socket 68	Dash Wiring 65	Fender Tie Brackets 81	
Books 125	Dash Wiring 65	Decals 51	Fender Welting 82	
Brake & Clutch Pedal Bumpers/Seals 13	Decals 51	Deck & Rumble Lid Handles 98	Fenders 81	
Brake Drums & Hubs 6	Deck & Rumble Lid Handles 98	Deck Lid Emblems 99	Filler Neck Grommets 52	
Brake Hoses 12	Deck Lid Emblems 99	Dimmer Switch 73	Filler Neck Hoses 52	
Brake Light Switch 8, 12	Dimmer Switch 73	Distributor 61	Firewall 80	
Brake Line Kits 12	Distributor 61	Distributor Adapter 62	Firewall Grommets 80	
Brake Lining Sets 8	Distributor Adapter 62	Distributor Cap 62	Firewall/Floor Insulation 80	
Brake Parts 8, 12	Distributor Cap 62	Distributor Gasket Set 62	Flathead Accessories 123	
Brake Pedal Springs 8	Distributor Gasket Set 62	Dome Lamp 73	Flathead Performance Parts 122	
Brake Rods 9	Dome Lamp 73	Door Area 108	Floor Mats For Pickup Trucks 1932-47 101	
Brake Shoes 10	Door Area 108	Door Bottom Rubber Weatherstrip Seal 111	Floor Pans 38-47 Pickups 114	
Bug Screens 3	Door Bottom Rubber Weatherstrip Seal 111	Door Check Straps 110	Floor Seal For Clutch 101	
Bumper Arm Grommets 92	Door Check Straps 110	Door Glass Ant-rattlers 105	Floor Seal For Transmission 101	
Bumper Bolts & Hardware 92	Door Glass Ant-rattlers 105	Door Handles & Window Cranks 106	Floorboard Area 100	
Bumper Guards 91	Door Handles & Window Cranks 106	Door Hardware & Lock Cylinder 110	Floorboard Edge Seal Sets 102	
Bumper Tips 91	Door Hardware & Lock Cylinder 110	Door Jamb Seal For Door Hinge Area 111	Floorboards 101	
Bumper To Frame Braces 91	Door Jamb Seal For Door Hinge Area 111	Door Rubber Bumpers 110	Floormats 100	
Bumpers 90	Door Rubber Bumpers 110	Door Scuff Plates 112	Flywheel Ring Gear 29, 35	
C		Door Springs 110	Ford Shop Manuals 127	
Cabin 95	Door Springs 110	Door Weatherstrip Seal For Top Of Door 111	Four Barrel Intake 122	
Cable Holders, Brackets & Grommets 64	Door Weatherstrip Seal For Top Of Door 111	Dovetail Repair Kits 108	Frame 5	
Camshaft 28, 35	Dovetail Repair Kits 108	Dovetails & Strikers 108	Frame And Underbody Components 117	
Camshaft & Crankshaft Timing Gears 35	Dovetails & Strikers 108	Drag Link Assemblies 16	Frame Webbing 20	
Camshaft Bearings Sets 29, 35	Drag Link Assemblies 16	Dual Intake Manifolds 122	Front Axle 14	
Carburetor 54	Dual Intake Manifolds 122	Dust Cap, Front Hub 6	Front Bumper Anti-rattlers 91	
Carburetor Linkage 122	Dust Cap, Front Hub 6	E		
Carburetor Parts 54	E		Electric Fuel Pumps 54	
Carburetor Rebuild Kits 54	Electric Fuel Pumps 54	Electric Wiper Motor Conversion Kits 88	Gas Cap 52	
Choke & Throttle Rod Area 57	Electric Wiper Motor Conversion Kits 88	Electrical 65	Gas Tank & Gauge Area 52	
Choke/Throttle Bracket & Clamp 57	Electrical 65	Engine 24	Gas Tank Filler Pipe 52	
Chrome Head & Intake Nut Covers 27, 34	Engine 24	Engine Enamel 4, 24, 31	Gas Tank To Frame Pads 53	
Clock Mounting Kit 79	Engine Enamel 4, 24, 31	Engine Gaskets 24, 32	Gas Tanks 51	
Cluster Gears & Washers 40	Engine Gaskets 24, 32	Engine Hardware Kit 31	Gasket Sets 40	
Clutch & Brake Pedal Pads 13	Engine Hardware Kit 31	Engine Headers 123	Gaskets 32, 54, 122	
Clutch & Brake Rubber Bumpers 102	Engine Headers 123	Engine Rear Support 20	Gaskets & Seals 17, 19	
Clutch Disc 42	Engine Rear Support 20	G		
Clutch Pedal To Release Rod & Clevis 41	E		Gas Tank & Gauge Area 52	
Clutch Pressure Plate 42	Electric Fuel Pumps 54	Gas Cap 52	Gas Tank Filler Pipe 52	
Clutch Release Shaft 40	Electric Wiper Motor Conversion Kits 88	Gas Tank To Frame Pads 53	Gasket Sets 40	
Clutch Section 41	Electrical 65	Gaskets 32, 54, 122	Gaskets & Seals 17, 19	
Coil 60	Engine 24	Gaskets/Intake Manifold 26		
Coil Wire 68	Engine Enamel 4, 24, 31			
Condensers 64	Engine Gaskets 24, 32			
Connecting Rod 34	Engine Hardware Kit 31			
	Engine Headers 123			
	Engine Rear Support 20			

Side Curtin Rod Sockets	110	Tail Light Rims	76	W	
Smitty Mufflers	123	Tail Light Screws	78	Water Pump Area	49
Spare Tire	5	Tail Pipe	22	Water Pump Mounting Gaskets	50
Spark Plug Wires	64	Tailgate	121	Water Pump Mounting Hardware	50
Spark Plugs	60	Tailgate Hinge & Crossmember	121	Water Pump Pulleys	50
Speedometer	87	Tailight Cross Over Wire	67	Water Pump Rebuild Kits	50
Speedometer Cable Grommets	87	Tailight Socket Repair	68	Wheel Area	5
Spindle Bolt	14, 15	Tandem Wiper Assembly	88	Wheel Bearing & Race	7
Spreader Bars	20	Temperature	60	Wheel Cylinders	11
Spring Liners & Bolts	23	Temperature Sender Cross Over Wire	68	Wheel Nuts, Hub Bolts & Studs	6
Springs	23	Thermostats & Heater Hose Connector	50	Wheel Trim Rings	6
Square Nuts	118	Tie Rod/Drag Link	15	Window	102
Starter	59	Timing Gear Area	29, 35	Window Channel Fasteners	106
Starter Buttons/Ignition Switches	59	Tires	5	Window Channel Kits	104
Starter Solenoid	59	Top	96	Window Glass Channel	106
Starter Switches	59	Top Edge Rubber Seals	96	Window Risers	106
Station Wagon Door Seal Kits	111	Transmission	37	Window Trim Panels	103
Steel Brake Lines	12	Transmission Floor Covers	101	Windshield	95
Steering	16	Transmission Main Drive Gear Bearings	38	Windshield Division Bars	96
Steering Box Gasket Sets	17	Transmission Main Shaft	38	Windshield Frame Rubber Gaskets	95
Steering Column	102	Transmission Oil Seals	38	Windshield Frame Swing Arm Area	95, 96
Steering Wheel	17	Trim Clips & Fasteners	116	Windshield Header Seals	97
Stone Guards	82	Triple Intake	122	Windshield Post Rubber Pad Sets	95
Stop Lamp Switch	78	Trunk Hinges	98	Windshield Roll Out Knobs	95
Striker Plates	109	Trunk Lid Support Arms	98	Windshield Wiper	87
Stromberg Carburetors	55	Turn Signal Wire	68	Windwing Brackets	95
Stromberg Parts	56	Turn Signals	74	Wiper Arms	87
Sun Visors	102	U		Wiper Blades	87
Synchronizer	39	Universal Joint Cross & Bearing Kits	38	Wiper Clip/Spring & Nuts	87
T		Universal Joints	20	Wiper Control Assembly	88
Tail Lamp	75	Upper Radiator Air Deflector Panels & Seals ...	48	Wiper Control Rod	88
Tail Lamp Braces	77	V		Wiper Grommets	89
Tail Lamp Brackets	77	V8 Distributor	61	Wiper Knobs	89
Tail Lamp Bulbs	77	V8 Manifold Area: Intake/Exhaust	54	Wiper Motor Shaft Nut & Washer Kit	88
Tail Lamp Cross Over Wire	76	Vacuum Lines	63	Wiper Motors	88
Tail Lamp Gaskets	76	Valve Area	29, 36	Wiper Pads & Hoses	88
Tail Lamp Lens	76	Vent Window Handles & Escutcheons	107	Wiper Tower Assembly	89
Tail Lamp Sockets & Repair Kits	75	Vent Window Seals	103	Wire	67
Tail Lamp To Fender Rubber Pads	78	Voltage Regulators/Generator Cutout	58	Wiring	65
Tail Lamp Weathershield	77			Wiring Supplies	69
Tail Lamps	75				

PHONE: (518) 884-2825
 FAX: (518) 884-2633



ORDERS: 800-417-3347

**CURTIS IND. PARK, BLD'G 37 • 831 ROUTE 67
 BALLSTON SPA, NY 12020**

		<input type="checkbox"/> SHIP TO ME IN CARE OF (BUSINESS ADDRESS)
Name _____	Firm Name _____	
Street _____	Street _____	
City _____	City _____	
State _____ Zip _____	State _____ Zip _____	
Telephone# Area Code (_____) _____	Telephone# Area Code (_____) _____	

Year of Ford _____

Body Style _____

Order from Catalog # _____

Today's Date _____

QUANTITY	PART NO.	DESCRIPTION	EACH	TOTAL

U.S. Orders By UPS			
	Ground		Ground
Up to \$20.00	\$6.00	\$40.01 to \$60.00	\$10.00
\$20.01 to \$30.00	\$7.00	\$60.01 to \$100.00	\$13.00
\$30.01 to \$40.00	\$9.00	Over \$100.00 add 12%	

Include extra shipping for heavy, bulky or oversized items.
 Call for pricing.
 These are ESTIMATED amounts. Actual shipping will be charged.
 Any shortage will be billed. Any excess will be refunded.

	MERCHANDISE TOTAL	
←	Estimated Shipping - See Chart at Left	
	Add \$9.00 COD Fee	
	Subtotal	
	NY delivery address add appropriate tax rate	
	TOTAL	

**FREE SHIPPING ON ORDERS OVER \$400.00
 EXEMPT: FRONT FENDERS & OVERSIEDED ITEMS
 CONTINENTAL U.S. ONLY**

No. _____ Expiration Date: _____

Signature _____

