

2008
Parts Catalog
\$4.00

Passenger 1949-1956
Pickup 1948-1956

Early Ford

U-8 Sales, Inc.

Toll Free Order Line
1-800-417-3347
(Outside New York State)

Fax Your Order
24hrs a day: 1-518-884-2633
Information: 1-518-884-2824
E-mail: earlyford@prodigy.net



Visit our Website and Order from our
Complete On-Line Catalog

WWW.EARLYFORD.COM
Genuine Parts & Quality Reproductions

INDEX

Accelerator Pedals	23	Crankshaft Bearings	15	Fender To Cowl Seals, Pickup	30
Accessories	4	Crankshaft, General	15	Firewall Cover	29
Antenna	33	Crankshaft Oil Slinger	15	Firewall Grommets	29
Axle, Front	7	Crankshaft Seals	16	Flathead Performance	44
Axle, Rear	10	Crankshaft Timing Gear	15	Floor Mats	36
Baby Moon Hub Caps	4	Cylinder Head Gaskets	14	Floor Seals For Trans.	36
Batteries	11	Cylinder Head Studs	14	Floor Seals Steering Column	36
Battery Cables	25	Dash Area	42	Floorboards	36
Battery Tray	11	Dash Knobs	42	Flywheel Ring Gear	16
Bearings, Axle	10	Dash, Pickup	42	Fog Lights	4
Bearings, Engine	15	Dash Plastic	42	Frame & Underbody Components .	43
Bearings, Wheel	4	Dash, Wiring	25	Frame Pad Sets	11
Beauty Rings, Wheel	33	Dashboard Clock Cover	4	Frame Webbing	11
Bed Parts, Pickup	43	Decals	20	Front Axle	7
Bed, Pickup Parts	44	Deck & Rumble Lid Seals	34	Front Axle Bumpers	7
Body Moldings	30	Deck Lid Emblems	34	Front Fenders, Pickup	29
Body To Frame Pad Sets	11	Deck Lid Handles	34	Front License Plate Brackets	11
Body Webbing & Pad Sets	11	Differential Bearings	10	Front Spring Shackle	12
Body Wire	26	Dimmer Switch	27	Front Springs	12
Brackets, Sun Visor	37	Distributor	24	Fuel Lines	21
Brake, Master Cylinder	5	Distributor Bushings	24	Fuel Pump Gaskets	22
Brake Drums	4	Distributor Caps	24	Fuel Pump Push Rod	22
Brake Hoses	6	Distributor Vacuum	24	Fuel Pump Push Rod Bushing	22
Brake Lines, Steel	6	Distributors, Rebuilt	24	Fuel Pump Rebuild Kits	21
Brake, Misc Parts	6	Dome Lamp	27	Fuel Pumps, Electric	22
Brake Pedal Pads	7	Dome Lamp Lens	27	Fuel Pumps, New	21
Brake Shoes, Relined	5	Door Bottom Rubber Seals	39	Fuel Tank Senders	21
Brake, Wheel Cylinder	6	Door Emblems, 'Custom Cab'	41	Gas Cap	21
Brakes, Hydraulic	5	Door Handle Escutcheon	39	Gas Filler Door Spring	21
Bumper Bolts	33	Door Handle Pads	39	Gas Lid Bumpers	21
Bumpers	32	Door Handles, Inside	38	Gas Neck Hose	21
Cable Holders,		Door Handles, Outside	39	Gas Tank Neck Grommets	21
Brackets & Grommets	25	Door Hinge Pin	39	Gas Tank Sealing Compound	21
Camshaft	15	Door Lock	9	Gear Oil	4
Camshaft Bearings	15	Door Rubber Bumpers	39	Gear Shift Knobs	42
Carburetor	22	Door Scuff Plates	41	Generator	23
Carburetor Rebuild Kits	22	Door Seals, 48-56 Pickups	41	Generator Cutout	23
Carburetors, Rebuilt	22	Door Seals, 49-56 Passenger Cars .	39	Glove Box Bumpers	36
Choke & Throttle Grommets	22	Door Seals, Top Of The Door	39	Glove Box Door Springs	36
Choke & Throttle Rod	22	Door Striker Plates	39	Glove Boxes	34
Cigar & Cigarette Lighter	42	Door Window Risers	38	Gravel Deflector Seal	33
Clutch	18	Dovetails & Strikers	39	Grille Area Sheet Metal	19
Clutch & Brake Pedal Pads	7	Electric Fuel Pumps	22	Grille Emblems, Pickups	19
Clutch & Brake Pedal Seals	7	Engine Area	13	Grille Panel Lower, Pickup	19
Clutch Pedal Return Springs	18	Engine Gaskets	13	Grommets, Firewall	29
Clutch Throwout Bearings	18	Engine Paint	4	Halogen Headlamps	27
Coil	24	Escutcheons	38	Halogen Tail Lamps	29
Coil Adapter Kits	24	Exhaust Deflector	4	Hand Brake Cables	7
Coil Bracket	24	Exhaust System	12	Handle Pads	39
Condensor	45	Fan Belts	20	Handles, Deck Lid & Rumble	34
Connecting Rod Bearings	15	Fender Area	29	Handles, Inside	38
Connecting Rod Bushings	15	Fender Bolts & Washers	30	Handles, Outside	39
Connecting Rods	15	Fender Braces	30	Headlamp Bulbs	27
Cooling System	18	Fender Emblems	31	Headlamp Dimmer Switch	27
Cowl Area	34	Fender Inner Panels & Braces	30	Headlamp Gaskets	27
Cowl Lacing Kits	29	Fender Shields	31	Headlamp Hardware	27
Cowl, Wiring (Dash)	25			Headlamp Rims & Hardware	27

Headlamp Sockets & Wiring	27	Paint	4	Tail Lamp Braces	29
Headlamp Switches	27	Parking Lights	27	Tail Lamp Bulbs	29
Headlamps	27	Patent Plates	33	Tail Lamp Cross Over Wire	28
Headliner Kits, Pickup	44	Performance Parts	44	Tail Lamp Gaskets	28
Heater Hose Brackets	20	Pickup Bed Parts	43	Tail Lamp Lens	28
Heater Hose Connector	20	Pickup Beds	44	Tail Lamp Rims	29
Heater Parts	20	Pilot Bearing	18	Tail Lamp Sockets	28
Hood & Radiator Lacing Kits	29	Pinion Bearings	10	Tail Lamp To Fender Parts	29
Hood Area	31	Pistons & Rings	15	Tail Lamps	28
Hood Bolts & Springs	31	Quarter Window Seals	37	Tail Pipe	12
Hood Bumper Sets	31	Radiator Area	18	Tail Pipe Hanger	12
Hood Center Strips	31	Radiator Caps	18	Temperature Senders	24
Hood Emblems	31	Radiator Hoses	19	Thermostat Housing	20
Hood Latch	31	Radiator Mounting Kits	18	Thermostats	20
Hood Molding	31	Radio, Speaker Grille Pickup	42	Throwout Bearing	18
Hood Ornaments	31	Rear Axle	10	Throwout Bearing Springs	18
Hood Pull Cable Grommets	22	Rear Axle Bearings	10	Timing Gear	15
Horn Area	29	Rear Axle Bumpers	13	Tires & Tubes	4
Horn Button, Pickup	9	Rear Fender, Pickup	30	Transmission	16
Horn Relay	29	Rear License Plate Brackets	28	Transmission Gaskets	18
Horn Wire	26	Rear Window Seals	37	Transmission Rear Mounts	14
Hub Caps	4	Rumble & Deck Lid Bumpers	34	Trim Clips & Fasteners	42
Hydraulic Brakes	5	Rumble Handle Rubber Pads	34	Trunk Emblems	34
Ignition Cylinder	24	Rumble Lid & Deck Handles	34	Trunk Hinges	34
Ignition, Mallory	45	Rumble Lid & Trunk Seals	34	Trunk Lid Seals	34
Ignition Points & Tune Up Kits	24	Rumble Lid Seals	34	Turn Signals	27
Ignition Switch	9	Rumble Seat & Trunk	34	Universal Joints	10
Ignition Switches & Starter Buttons	24	Running Board Hardware	31	Valve Guide	16
Key Blanks	9	Running Boards	31	Valves, Engine	16
Kingpins	7	Sheet Metal	41	Vent Window Handles	38
Knobs	42	Shift Cover Oil Seals	18	Vent Window Seals	37
Knobs, Dash	42	Shift Linkage Repair Kit	18	Vent Window Seals, Pickup	37
Knobs, Gearshift	18	Shock Absorbers	33	Vent Window Seals, Rear	37
Knobs, Window Risers	38	Shock Absorbers, Pickup	33	Water Pump Gaskets	20
Knobs, Wire	32	Spark Plug Wires	24	Water Pump Rebuilt Kits	20
Lens, Domelight	27	Spark Plugs	24	Water Pumps	19
Lens, Parking Lights	27	Speedometer Cable Grommets	31	Wheel Bearings	4
Lens, Taillamp	28	Speedometer Cables	31	Wheel Cylinders	5
Lower Grille Panels	41	Spindle Bolts (Kingpins)	7	Wheel Seals	4
Manifold Area	22	Spot Lights	4	Wheel Trim Rings	33
Manifold, Exhaust Gaskets	12, 14	Spring Shackles	13	Window Channel Fasteners	38
Manifold, Intake Gasket	14	Springs, Front	12	Window Channel Kits	38
Master Cylinder	5	Starter Buttons	24	Window Cranks	38
Mirrors	32	Starter Solenoid	24	Window Glass Channel, Pickups	38
Motor Mounts	14	Starter Support Bracket	23	Window Risers	38
Mufflers	45	Starters	23	Windshield Seals	33
Mufflers, Exhaust System	12	Steering	9, 36	Windshield Wiper	31
Oil Cap	45	Steering Box Components, Pickup	9	Wiper Blades	31
Oil Filter	45	Steering Components	36	Wiper Grommets	32
Oil Pan & Plugs	16	Steering Wheel	9	Wiper Knobs	32
Oil Pan Gaskets	14	Stop Lamp Switch	29	Wiper Motor Conversion Kits	32
Oil Pump	16	Stop Light Bulbs, See Taillamps	29	Wiring	25
		Sun Visors	37	Wiring, Dash	25
				Wiring Supplies	26

TELEPHONE ORDER SERVICE – 518-884-2824 & 800-417-3347, except NY State

E-mail: EARLYFORD@prodigy.net

We are available for telephone orders Monday through Friday, 8 a.m. - 5 p.m. You may also fax your order using our convenient order form located in the back of the catalog. Fax service is available 24 hours, 518-884-2633.

STORE SALES

Store sales during the above listed hours and by appointment at mutually convenient times on the weekends. Please call ahead to make sure we will be available. Orders may also be placed using our on-line catalog order @EARLYFORD.COM

PAYMENT

We accept check, money orders, VISA, Mastercard and Discover. We will also ship UPS COD, however, there is an additional \$5.00 charge. There is a \$20.00 charge for any returned check.

SHIPPING

Most orders are shipped VIA UPS. Large items, such as front fenders are shipped via truck, freight collect. * **FREE SHIPPING** on orders over \$400.00, **except fenders and oversize items.** Continental US only.

DAMAGE

Should a parcel be received with contents damaged or evidence that it had been opened and something is missing, notify UPS. Keep the parcel at the delivery address and do not destroy the carton. UPS will have a claims person come to view the package or have a driver pick it up and return it to their claims department. UPS will process your claim and contact us to arrange for another shipment.

GUARANTEE

All of our parts are guaranteed to satisfy if used as originally intended. All parts are guaranteed to be free of manufacturing defects. In any and all cases our liability shall not exceed the cost of the part purchased.

RETURN POLICY

Parts may be returned for any reason providing they have not been used or damaged by you, within 60 days of shipment for exchange, credit or refund. When returning a part please include a copy of the original invoice with a brief explanation as to why the part is being returned. Please contact us first before returning a part. COD returns will not be accepted.

PRICE CHANGES

Because our suppliers change prices throughout the year it may be necessary for us to change a price accordingly. If the new price is not acceptable to you please return the part for a complete refund.

PARTS

We buy as many American made parts as possible. We always put quality first when selecting any part and do our utmost to provide complete customer satisfaction. In addition to our reproduction parts we have a good selection of used and NOS parts. Please call or write with your needs. Our inventory is constantly expanding to better serve our customers and we are always interested in hearing from you as to how we can provide better service.

Your business is greatly appreciated and we thank you.

Lou & Carole Grosso

**CALL BEFORE 3:00 PM FOR SAME DAY SHIPPING
FAX YOUR ORDER 24 HRS A DAY 518-884-2633**

ACCESSORIES AND SUPPLIES

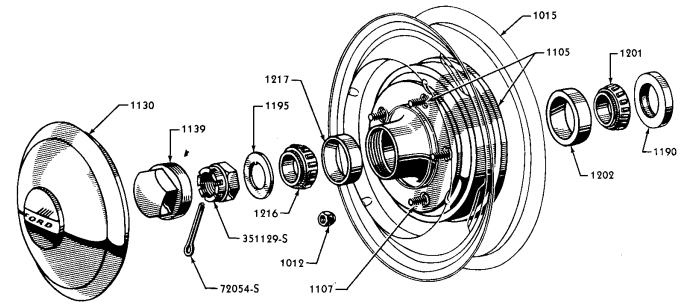
BAT-PLUS-6V	BATTERY CHARGER & TENDER 6 Volt @1.25AMP perfect for charging and maintaining your battery	28.55	59.95
BAT-PLUS-12V	BATTERY CHARGER & TENDER 12 Volt @1.25 AMP perfect for charging and maintaining your battery	28.55	59.95
BAT-JR-6V	BATTERY CHARGER & TENDER 6 VOLT@.75AMP perfect for charging and maintaining your battery	28-55	39.95
8A-8592-HR	WATER NECK, brightly polished aluminum	49-53	12.50
8A-9273-CC	DASH CLOCK COVER, chrome plated	49-50	35.00
51A-18258-A	EXHAUST DEFLECTOR, "Ford" script, stainless steel	32-53	14.95
51A-18258-B	EXHAUST DEFLECTOR, "V8" stainless steel	32-53	14.95
51A-18258-C	EXHAUST DEFLECTOR, plain, stainless steel	32-53	14.95
FOG-18207-SET	AMBER FOG LAMPS, 6V, w/mounting brackets and Ford name plate, chrome plated, pair	32-53	149.95
SPOT-18552-SET	SPOT LIGHT WITH ATTACHING BRACKET, 6V, w/Ford name plate, includes all hardware,brackets, etc.	ALL	149.95

Above lights also available in 12V - specify.

PAINT:

CHASSIS-BLK-QT	SUPER BLACK CHASSIS paint by Bill Hirsett	28-56	25.00
HIR-201	BLUE SPRAY PAINT, by Hirsh	16.00	
M-200-BR-QT	FORD BRONZE, QUART	49-51	33.00
M-200-OR-QT	FORD ORANGE, QUART	52-52	31.00
M-201-BRO	FORD BRONZE PAINT 14oz Spray Paint	49-56	13.95
M-202	MERCURY GREEN, QUART	49-53	33.00
M-203-S	HIGH TEMP EXHAUST PAINT, BLACK, 1800 degrees, spray can	32-64	16.00
M-204-S	HIGH TEMP EXHAUST PAINT, CAST IRON GRAY, 1800 degrees, spray can	32-64	16.00
M-205-P	HIGH TEMP EXHAUST PAINT, CAST IRON GRAY, 1800 degrees, 1 pint can	32-64	26.00
M-206-P	HIGH TEMP EXHAUST PAINT, BLACK, 1800 degrees, 1 pint can	32-64	26.00
M-207-P	STAINLESS STEEL ENGINE & EXHAUST PAINT	28-56	25.00
M-400	600W GEAR OIL, quart	28-48	5.00
M-8500	WATER PUMP GREASE, cartridge type	28-53	3.95
MIR-QB	MIRACLE PAINT CHASSIS BLACK QUART,	32-56	29.00
MIR-QS	MIRACLE PAINT CHASSIS SILVER QUART,	32-56	29.00
MIR-SB	MIRACLE PAINT CHASSIS BLACK, SPRAY CAN	28-64	12.00
M-9002	GAS TANK SEALER & SLOSHING COMPOUND, alcohol resistant	ALL	22.95

UPS Haz Mat Shipping Charge, add \$4.00.



**PASSENGER FRONT WHEEL HUB,
BEARING, CAP, ETC.**

WHEEL AREA

B-1012	WHEEL NUT, open style as used under a hubcap	32-60	.60
--------	---	-------	-----

HUB CAPS:

6A-1130	HUB CAP, stainless steel, 1947-48 passenger & 48-56 pickup	47-56	22.50
8A-1130	HUB CAP, stainless steel	49-50	40.00
1A-1130-SS	HUB CAP, stainless steel	1951	30.00

TIRES:

We are dealers for the popular brands of tires i.e., Firestone, BF Goodrich, Commander. Please call with your needs for the latest price quote.

BRAKE DRUMS

OA-1125	FRONT DRUM, Pass.	49-53	88.95
AB-1126	REAR DRUM, Pass. Ex. Wag	49-54	69.95
B5A-1125	FRONT DRUM, Pass. Ex Wag	55-56	69.95
B5A-1126	REAR DRUM, Pass.	55-56	79.95
8C-1125	FRONT DRUM F-1 P/Up	48-52	65.00
A8TZ-1125	FRONT DRUM F-1 P/Up	53-63	60.00
A8TZ-1126	REAR DRUM F-1 P/Up	48-63	69.95

WHEEL BEARINGS & SEALS

51A-1139	DUST CAP,FRONT HUB, PRESS ON ...	45-48	3.50
----------	----------------------------------	-------	------

GREASE SEALS SNAP RINGS REAR

8A-1177	GREASE SEAL, 1.37" I.D., passenger ...	49-56	4.50
0M-1177	REAR WHEEL SEAL, F-100	48-56	3.95
BB-1175-C	GREASE SEAL, rear hub, dual wheel truck	35-48	9.95

GREASE SEALS FRONT

8A-1190-A	SEAL, front wheel, passenger	49-53	4.50
01Y-1190	FRONT WHEEL SEAL, pickups F-1 & F-2	48-56	2.95
9IT-1190	SEAL front wheel; F4-5-6	39-56	4.95
8D-1190	FRONT SEAL F2	48-51	4.95
8M-1190	FRONT WHEEL GREASE SEAL, Mercury only	49-51	12.95

WHEEL BEARING:

8A-1201	BEARING, front wheel inner	49-53	13.95
8A-1202	RACE, front wheel inner	49-53	7.95
8A-1216	BEARING, front wheel outer, also 48-56 F-1&2 pickup	49-53	14.95
8A-1217	RACE, front wheel outer, also 48-56 F-1&2 pickup	49-53	6.95
01Y-1201	INNER FRONT BEARING, F-1-2-3 pickups	48-56	18.95

**Free Shipping for
Orders Over \$400.00**

**E-mail: EARLYFORD@prodigy.net
Website: www.EARLYFORD.COM**

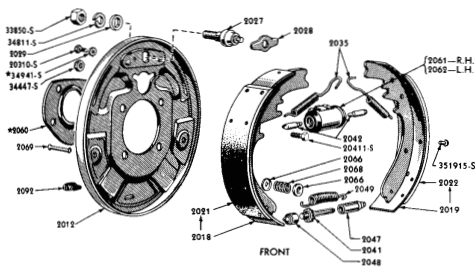
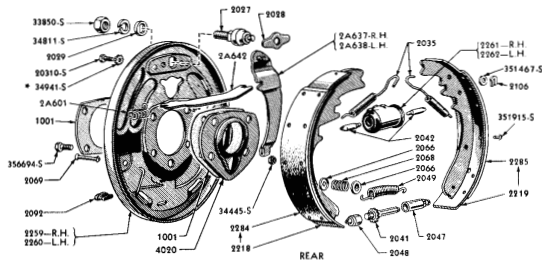
01Y-1202	INNER FRONT RACE, F-1-2-3 pickups	48-56	6.95
8A-1225	BEARING, REAR WHEEL	49-56	19.95
8M-1225	REAR WHEEL BEARING, F-100 p/ups	48-65	19.95
8A-1180	INNER RETAINER	49-56	5.95
8A-1144	GASKET (to plate)	49-56	.75
8M-1180	INNER RETAINER RING, F-100 pickups	48-65	5.50
8M-1144	GASKET (to plate), F-100 pickups	48-65	1.50
8M-3111	KINGPINS, MERCURY ONLY	49-51	49.95

HYDRAULIC BRAKES

RELINED BRAKE SHOES

51A-2001	BRAKE SHOES, Relined, 2 wheels Front or Rear, Pass Comm Also 48-51 F2-F3	45-48	39.95
154-2001	BRAKE SHOES, relined front (2 wheels) exchange, pass cars	49-54	29.95
151-2001	BRAKE SHOES, relined rear (2 wheels) exchange, pass cars	49-54	29.95
263-2001	BRAKE SHOES, relined, front, pass	55-59	34.95
264-2001	BRAKE SHOES, relined, 55-58 merc front, 57 merc rear, 57-60 T-bird front & 59-60 T-bird rear	55-60	34.95
55-2001	BRAKE SHOES, Rear, pass	55-59	29.95
10-2001	BRAKE SHOES, relined, 1/2 ton pickup, front, exchange	48-63	29.95
55-2001	BRAKE SHOES, relined, 1/2 ton pickup, rear, exchange	48-63	29.95
19472-2094S	BRAKE SHOE HOLD DOWN KIT (does 2 wheels)	49-68	5.50

*CORE CHARGE 32-48 shoes - \$50.00 per set 49-56 - \$25.00 per set



1949-53 FRONT AND REAR BRAKES

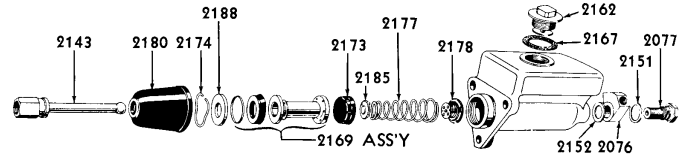
Group numbers only shown on illustration.
Refer to group for complete Part Number.

BRAKE SHOE SPRINGS

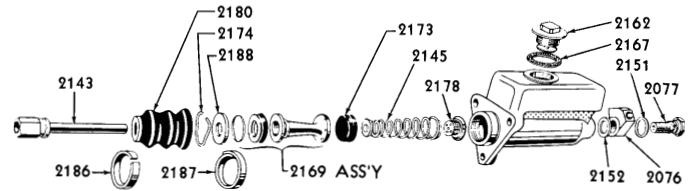
1D-2049	BRAKE SHOE ADJUSTER SPRING	50-60	3.50
B5A-2035	BRAKE SHOE RETURN SPRING, F100 pickup & 55-59 passenger	48-63	2.00
8A-2035	BRAKE PLATE SPRING	49-54	2.50
8A-2049	BRAKE ADJUSTING SCREW SPRING	49-54	2.30
8A-2092	COVER, BRAKE ADJUSTING HOLE	49-56	.75
H-2049	ADJUSTER SPRING	51-60	2.00
92Y-2035	SPRINGS, brake returns for 1/2 ton trucks	39-52	2.50

MASTER CYLINDER REBUILD KITS

91A-2004	MASTER CYLINDER REBUILD KIT, USA made, also 48-56 p/up	39-56	9.95
91T-2004	MASTER CYLINDER REBUILD KIT, full size trucks	39-50	8.95
A9A-2004	MASTER CYLINDER REBUILD KIT	49-51	8.95
B5A-2004	MASTER CYLINDER REBUILD KIT	52-64	9.95



PASSENGER AND COMMERCIAL BRAKE MASTER CYLINDER

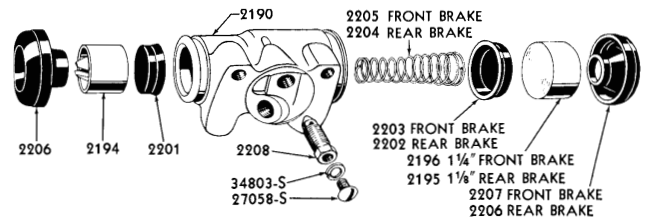


TRUCK BRAKE MASTER CYLINDER

Basic numbers only shown on illustration.
Order by Part Numbers shown in list of parts.

MASTER CYLINDERS

91A-2140	MASTER CYLINDER, brand new USA made, passenger & 40-52 pickup	39-52	74.95
B3C-2140	MASTER CYLINDER, P/UP F-1 (ALSO FITS 49-51 MERC)	53-56	69.95
91T-2140	MASTER CYLINDER, F-2-F-6 trucks	39-52	74.95
A9-2140	MASTER CYLINDER, brand new USA made, pass cars	49-51	85.00
B5A-2140	MASTER CYLINDER, brand new USA made, pass cars, & merc	52-57	69.95
8C-2162	MASTER CYLINDER COVER	39-56	9.75
91A-2167	MASTER CYLINDER COVER GASKET	39-56	1.00
91A-7011136	MASTER CYLINDER COVER PLATE, pass & 48/52 p/up	39-48	6.00
BAAA-8111136	MASTECYLCOVERPLATE, P/UP	53-56	10.00
B7A-2041-S	ADJUSTER SCREW SET	48-63	5.95
B7A-2457-A	SLIP OVER PEDAL PAD, hydraulic brakes	52-65	5.00
8A-2471	MASTER CYLINDER BUSHING		3.00
91A-2462	BOLT, pedal to master cylinder, passenger & commercial	39-48	5.95



PASSENGER AND COMMERCIAL BRAKE WHEEL CYLINDER

WHEEL CYLINDERS:

21A-2061	** WHEEL CYLINDER, right front, 48-51 F-2&3 pickup	48-51	32.50
21A-2062	** WHEEL CYLINDER, left front, 48-51 F-2&3 pickup	48-51	32.50

** This is a 1942-48 cylinder which will retro-fit 1939-41. However, replace in pairs to maintain equal braking action.

STAINLESS STEEL BRAKE LINE KITS

8A-2269-K	COMPLETE BRAKE LINE KIT, in stainless, includes all fittings, pass,	49-50	170.00
AB-2269-K	COMPLETE BRAKE LINE KIT, in stainless, includes all fittings, pass,	52-53	170.00
AD-2269-K	COMPLETE BRAKE LINE KIT, in stainless, includes all fittings, pass,	54-55	170.00
7C-2269-K	COMPLETE BRAKE LINE KIT, in stainless, includes all fittings, 1/2 ton pickup,	48-52	170.00
7C-2269-KS	BRAKE LINE KIT, Steel w/fittings, F100 pickup,	48-52	59.95
BAAA-2269-K	COMPLETE BRAKE LINE KIT, in stainless, includes all fittings, 1/2 ton pickup	53-56	170.00
1A-2269-K	STEEL BRAKE LINES, performed, pass cars only	51-51	170.00
8C-2269B	STEEL BRAKE LINES, 25' Roll 3/16 without Fittings		15.00

HAND BRAKE CABLE AREA

HANDBRAKE CABLES TO REAR WHEELS

8A-2275-C	REAR HAND BRAKE CABLE, to rear wheels, passenger car	49-51	28.95
21C-2275	HAND BRAKE CABLE to rear wheels, need 2 per vehicle, sold each, fits pickup 1942-47; F2 & F3 1942-52	42-52	29.95
BITZ-2A635-A	HAND BRAKE CABLE - F1 Pickup	48-52	28.95
TAAA-2A635-A	REAR HAND BRAKE CABLE, F-100 & F-200	53-55	28.95

HANDBRAKE CABLE TO DASH

8A-2853-C	FRONT HAND BRAKE CABLE, passenger car	49-50	28.95
B5A-2853-C	FRONT HAND BRAKE CABLES, convertible only	55-56	40.00
B5A-2853-D	FRONT HAND BRAKE CABLES, all except convertible	55-56	40.00
2C-2853	HAND BRAKE CABLE, to dash handle, pickups & commercial	48-52	28.95
TAAA-2853	HAND BRAKE CABLE, to dash, pickups, F-100	53-56	28.89

CLUTCH & BRAKE PEDAL PADS:

8A-2454	1949-51,	ea.	5.00
11A-2454	1941-56 pickup truck	ea.	6.00
7RT-2454	41-56 P/UP, Slightly larger, By Bob Drake,	ea.	10.00
1A-2454-B	BRAKE PEDAL PAD, auto trans	51-51	5.95
AB-2454-B	W/AUTO TRANS 1952-67,	ea.	14.95
AB-2454	Clutch/Brake Pedal, Slip Over,	52-56	5.00

BRAKE PEDAL SPRINGS

TAAA-2472	BRAKE PEDAL RET SPRING P/UP	53-60	2.50
-----------	-----------------------------------	-------	------

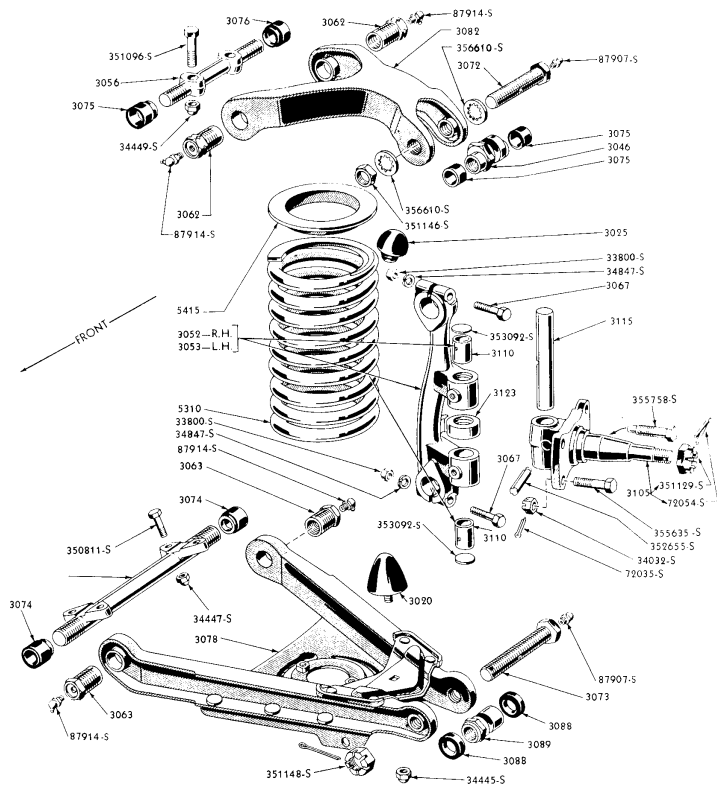
BRAKE & CLUTCH PEDAL BUMPERS/SEALS:

B-35184	BRAKE & CLUTCH PEDAL BUMPERS, 32-34 passenger, 48-52 pickup, pair, fits in metal plate under wood floor	32-34	3.25
8A-2476-A	CLUTCH & BRAKE PEDAL ARM SEALS, pair	49-51	5.00
7C-2473	CLUTCH & BRAKE PEDAL ARM BUMPERS, pair, pickups	48-56	3.00

FRONT AXLE

7RC-3020	FRONT AXLE BUMPERS, pickups, F-1-2 & 3	48-60	5.95
8A-3025	Upper Bumper, Frame Susp Arm, ea	49-53	2.95
AB-3019-A	Lwr Arm Bumper, Frame Susp Arm, Pass	49-52	5.75
B4AZ-3020	Upper Bumper, Frame Susp Arm, ea	54-56	5.85

FRONT SUSPENSION



B5A-3019-A	Lwr Rt Bumper, Frame Susp Arm, ea	54-56	5.95
B5A-3020-A	Lwr Lft Bumper, Frame Susp Arm, ea	54-56	5.95

See page 13 for rear axle bumpers.

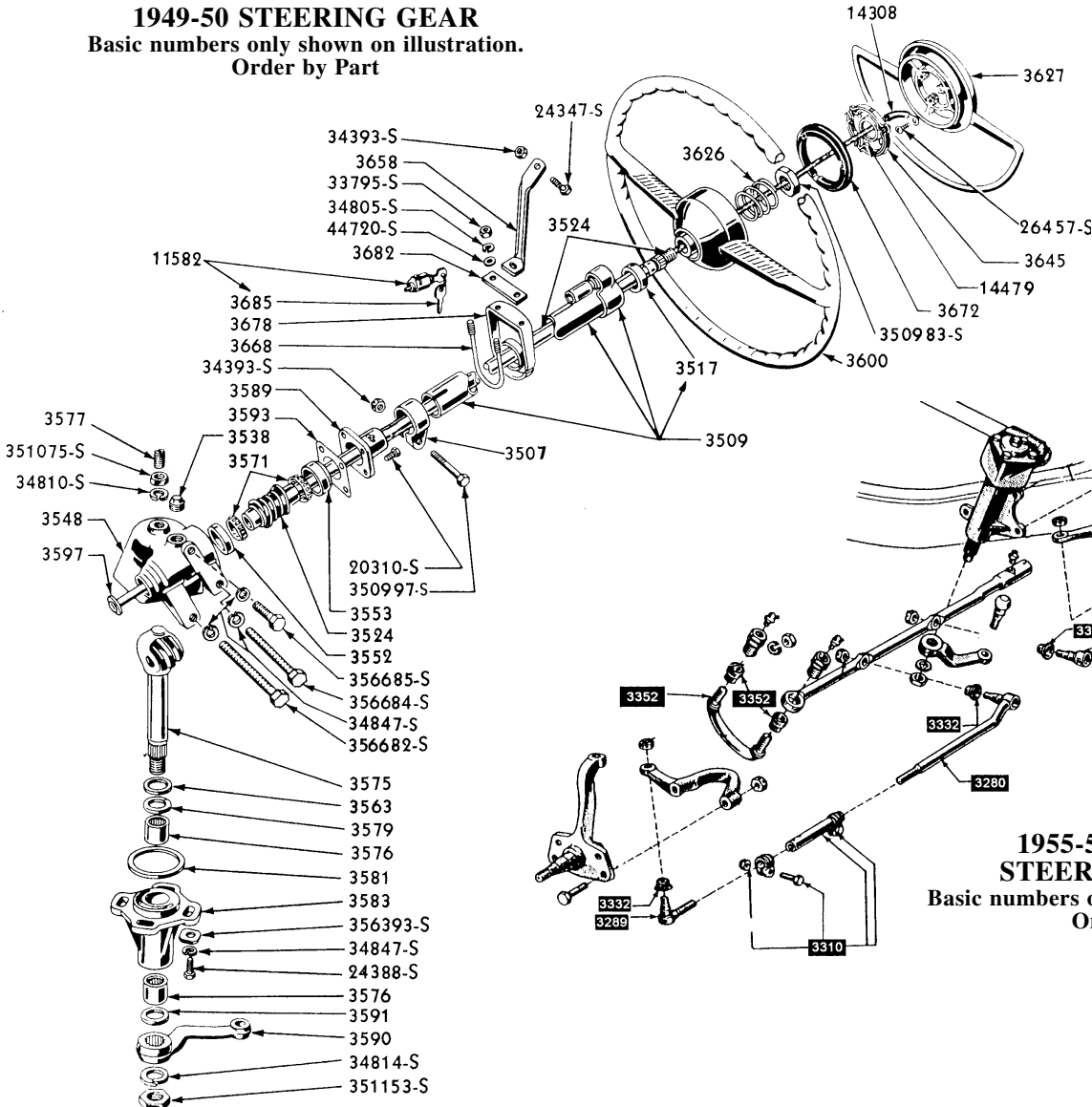
SPINDLE BOLT (KINGPIN) AREA:

21A-3110	KING PIN BUSHINGS,ea	42-52	2.50
21A-3111	Above kit also fits pickup 1942-52	42-52	29.95
A9A-3111A	SPINDLE BOLT (KINGPIN), set complete, passenger cars	49-53	34.95
B3T-3111-A	KING PIN KIT, F-1 & F-2	53-56	39.95
B3C-3111A	SPINDLE BOLT (KINGPIN), set complete for pickups & F2	53-56	29.95
81T-3111	SPINDLE BOLT SET, Big Truck	38-52	79.95

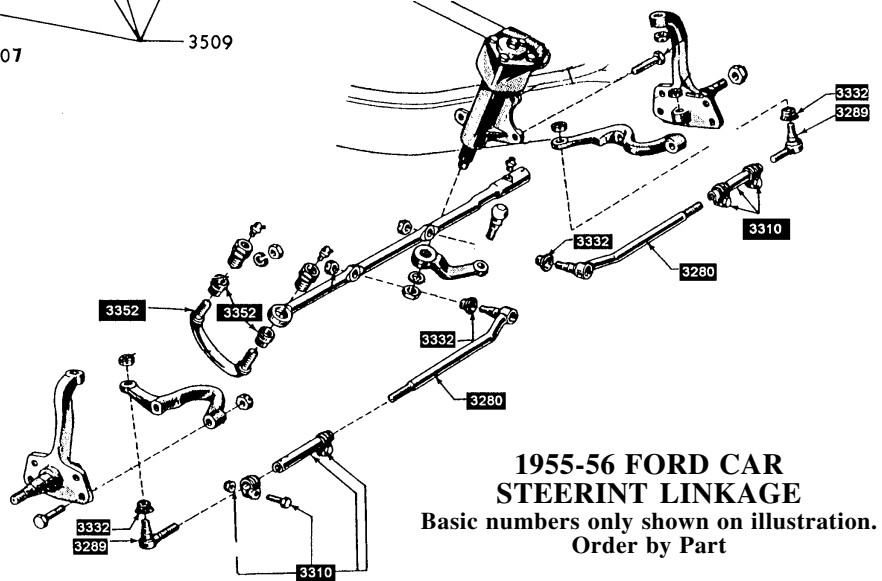
TIE ROD/IDLER ARM:

11A-3270	TIE ROD END, right	35-59	10.95
11A-3271	TIE ROD END, left	35-59	10.95
11A-3270/71-SET	TIE ROD ENDS L&R	35-59	15.95
21A-3283	TIE ROD, no ends, 42-8 passenger, 42-52 F1-3 pickups	42-52	39.95
TAAA-3281	TIE ROD, pickups F-1 & F-2	53-64	44.95
8A-3280	INNER TIE ROD, passenger cars, right hand	49-51	32.95
8A-3281	INNER TIE ROD, left hand, passenger cars	49-51	32.95
AB-3280	INNER TIE ROD, passenger	52-53	40.00
AD-3280	INNER TIE ROD, passenger	54-56	39.50
8A-3304	CENTER LINK, with tie rod end, passenger	49-51	69.50
AB-3305	CENTER LINK, with tie rod end, passenger	52-53	54.95
11A-3310	TIE ROD COUPLING SLEEVE	35-65	9.50
8M-3332	TIE ROD END SEALS, ea.	35-60	.50
A9A-3352	IDLER ARM with bushing	49-51	24.95
B2A-3352	IDLER ARM with bushing	52-53	28.95
B4A-3352	IDLER ARM with power steering	54-60	22.95
B5A-3352	IDLER ARM, MAN STRG	54-56	24.95
8A-3351	IDLER ARM BRACKET	49-59	9.95
8A-3356	IDLER ARM NUT & BUSHING	49-53	7.50
8A-3359	IDLER ARM GROMMET	49-59	1.75

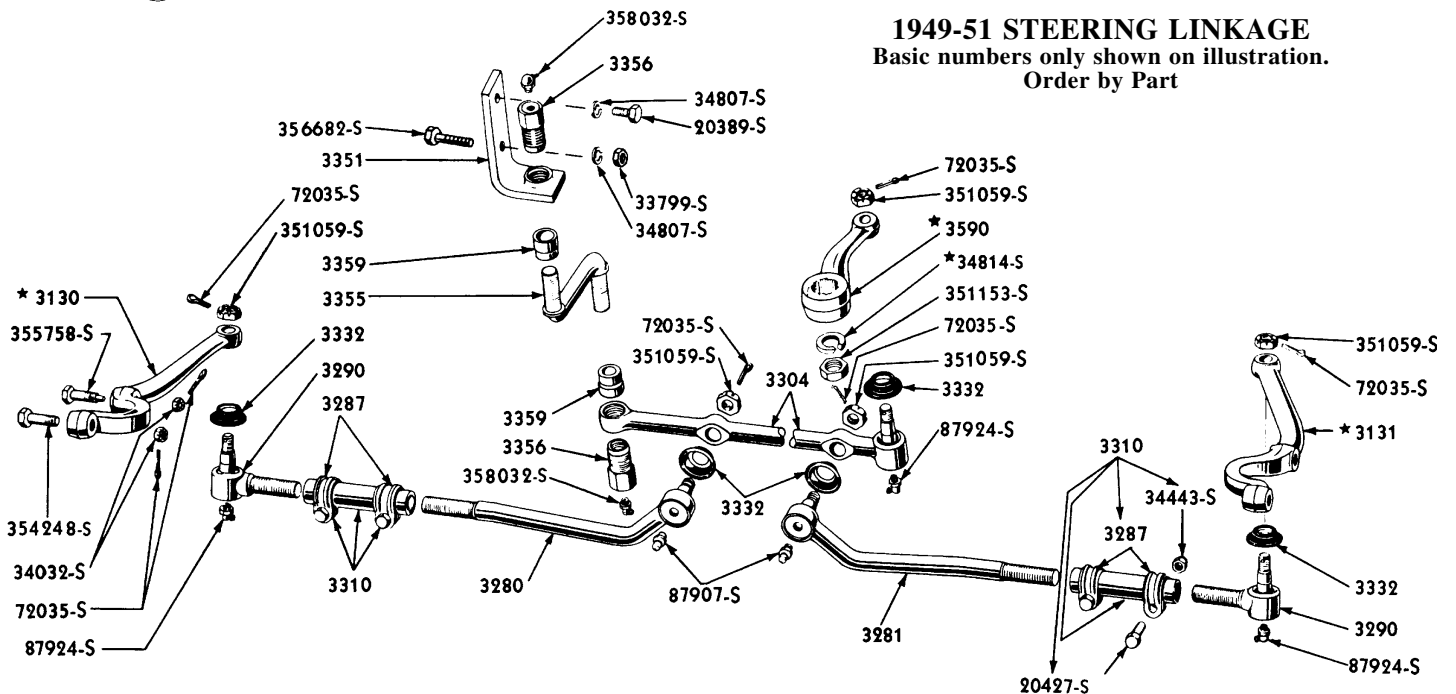
1949-50 STEERING GEAR
 Basic numbers only shown on illustration.
 Order by Part



1955-56 FORD CAR STEERING LINKAGE
 Basic numbers only shown on illustration.
 Order by Part



1949-51 STEERING LINKAGE
 Basic numbers only shown on illustration.
 Order by Part



AB-3019-A	SUSPENSION ARM BUSHING (bumpers)	49-51	5.95
8A-3025	UPPER REBOUND, frame side	49-53	3.50
8A-3047-BK	BUSHING & NUT SET, upper shaft, passenger, kit	49-53	15.95
8A-3048-BK	BUSHING & NUT SET, lower shaft, kit, passenger	49-53	13.95

SUSPENSION FRAME KITS

Kits for one side only, includes bolt w/nuts & bushings

8A-3047	UPPER SHAFT KIT	49-53	43.95
8A-3048	LOWER SHAFT KIT	49-53	53.95
8A-3049	UPPER SPINDLE KIT	49-53	39.95

SUSPENSION FRAME KITS continued

8A-3050	LOWER SPINDLE KIT	49-53	39.95
LA-3068-A	UPPER SUSPENSION BUSHING, small, passenger	54-56	5.95
COAA-3069-A	LOWER SUSPENSION BUSHING, passenger	54-56	5.95
B4A-3087-A	UPPER SUSPENSION BUSHING, large, passenger	54-56	9.95

FRONT STABILIZER

B4AZ-5486-SET	STABILIZER REPAIR KIT	54-57	12.95
B5AQ-5493	FRONT STABILIZER BUSHING, 4 per car	55-56	3.50
AB-5493	FRONT STABILIZER BUSHING, 4 per car	52-53	3.95

BALL JOINT ASSEMBLY

B5A-3049	BALL JOINT ASS'Y, UPPER 1/PS	54-56	79.95
B5A-3050	BALL JOINT ASS'Y, LWR 1PS	54-56	79.95

Also for 55-57 T/Bird

DRAG LINK ASSEMBLIES

TAAA-3304-S	DRAG LINK ASSEMBLY, pickups, F-1, F-2	48-56	74.95
A8TZ-3A533-S2	DRAG LINK INTERNAL NUT & SPRING KIT, pickups, F-1-3	48-56	27.95
7RC-3336	RUBBER COVER FOR DRAG LINK (NEED 2 PER DRAG LINK)	48-56	3.00

STEERING

BA-3513-C	STEERING COLUMN TO FLOOR SEAL, goes under floor mat	52-54	5.00
B5A-3513	STEERING COLUMN TO FLOOR SEAL, goes under floor mat	55-56	5.00
B6C-3524	SHAFT & WORM GEAR, pickup, F1 & F2	56-56	119.00
7HC-3524-X	WORM GEAR, pickups F-1-2-3	48-52	59.95
B6C-3524-X	WORM GEAR, pickups F-1-2	53-56	54.95
B7C-3575-X	SECTOR ROLLER & PIN, pickups F-1-2	53-56	54.95
TAAA-3524	WORM GEAR & SHAFT 1/2 ton P/up	53-55	122.50
B-3552	CUP, lower race	49-57	7.95
68-3571	BEARING, passenger, 2 required	49-57	6.95

SECTOR SHAFT

7RC-3575	SECTOR SHAFT, pass/comm	37-52	129.95
----------	-------------------------------	-------	--------

SECTOR ROLLER & PIN KIT, Use to replace roller on your shaft.

7RC-3575-X	SECTOR ROLLER & PIN KIT 37-48 Pass & 48-52 P/Up f-1	37-52	59.95
8A-3575-X	SECTOR SHAFT ROLLER KIT, Pass Replace roller on old shaft	49-51	57.50
AB-3575-X	SECTOR SHAFT ROLLER KIT Pass Same as above, also Mercury	52-53	57.50
78-3576	SECTOR BUSHINGS, also 48-52 pickup F-1-3	32-35 & 37-52	3.95
78-3579	SECTOR SHAFT ADJUSTING SCREW WASHER, car & commercial pickup truck 1948-52, F-1, F-2 & F-3	37-48	2.45

STEERING BOX GASKET SETS

7C-3581	GASKET SET, F-1-2 P/UP	48-60	6.50
7RC-3581	STEERING HOUSING GASKET (Cap/Cover), F-1-2-3 pickup trucks	48-60	1.00
8A-3581	STEERING BOX GASKET, pass, set	49-51	3.00

PITMAN ARM

8A-3590	PITMAN ARM, pass cars	49-51	29.95
8C-3590	PITMAN ARM, F-1-3 P/Up	48-52	47.50
TAAA-3590	PITMAN ARM, F-1-2 P/Up	53-56	47.50

GASKETS & SEALS

8A-3591	OIL SEAL SECTOR SHAFT, passenger	49-56	2.50
	pickups, F-1-3 & 61-3 F-1	48-52	2.50
8M-3591	OIL SEAL SECTOR SHAFT, with 1.25 sector, pickups F-1 & F-2	56-57	2.50
B-3593	STEERING BOX GASKET, end plate gasket	32-48	1.00
	pickups, F-1, F-2 1948-1960	48-60	1.00

PICKUP TRUCK STEERING BOX COMPONENTS

1948-1956 PICKUPS, F-1, F-2, F-3

21A-3517	COLUMN UPPER BUSHING, except 53-56 F-3	48-56	4.95
7HC-3524-X	WORM GEAR, less shaft	48-52	69.95
TAAA-3524	WORM GEAR W/ SHAFT	53-55	119.00
68-3571	WORM GEAR BEARING, need two	48-56	5.25
B-3552	UPPER BEARING RACE	48-56	7.50
8A-3553	LOWER BEARING RACE	48-56	10.95
7RC-3575-R	SECTOR SHAFT & ROLLER	48-52	129.95
7RC-3575-X	SECTOR ROLLER & PIN KIT	48-52	55.95
78-3576	SECTOR SHAFT BUSHING	48-52	2.95
81T-3576	SECTOR SHAFT BUSHING (2 required)	53-56	2.95
7RW-3577-A	SECTOR SHAFT ADJUSTER SCREW ..	48-52	3.95
78-3579	ADJUSTER SCREW WASHER	48-52	2.45
7C-3581	STEERING GASKET SET, P/UP	48-60	3.00
7RC-3581	HOUSING COVER GASKET	48-56	1.00
8C-3590	STEERING PITMAN ARM	48-52	47.50
TAAA-3590	STEERING PITMAN ARM, F-1 & F-2	53-56	47.50
8A-3591	SECTOR SHAFT HOUSING OIL SEAL	48-56	2.50
B-3593	END PLATE SHIM GASKET, .005, .010, .015	48-56	1.00
7C-3581	GASKET SRT, F1, F2 P/up	48-60	3.00

STEERING WHEEL

HORN BUTTON & LIGHT ROD

7HC-3627-C	HORN BUTTON, pickup	48-52	16.50
BAAA-3627	HORN BUTTON, pickup	53-64	37.50
BAAA-3627-A	HORN BUTTON, pickup, Anniversary Edition	53-53	45.00

IGNITION SWITCH

KEY BLANKS

B-3686-KB	KEY BLANK, ignition & door lock (35-48 door lock)	32-48	4.00
B-3686-KC	KEY BLANK, deck hand, glove box, spare tire lock	32-48	4.00
1A-3685-A	KEY BLANK, ignition & door, genuine Ford, 51 passenger, 48-52 pickups	48-52	3.50
8A-3685-A	IGNITION & DOOR KEY BLANKS, passenger	49-50	4.50
8A-3685-B	TRUNK & GLOVE BOX KEY BLANK	49-50	4.50
B9A-3685-A	KEY BLANK	1959-??	1.50
BA-3685-A	KEY BLANK, ignition/door	52-64	4.00
1A-3685-B	KEY BLANK, trunk & glove box	1951	4.50

FRAME AREA

B-5010-C	FRAME WEBBING, 2" x 1/16" x 25'	32-56	20.00
	By Bob Drake		
B-5000-AS	FRAME WEBBING with self adhesive, 1 1/2 x 1/8	32-56	22.50
B-5000-BS	FRAME WEBBING with self adhesive, 2" X 1/8	32-56	24.50

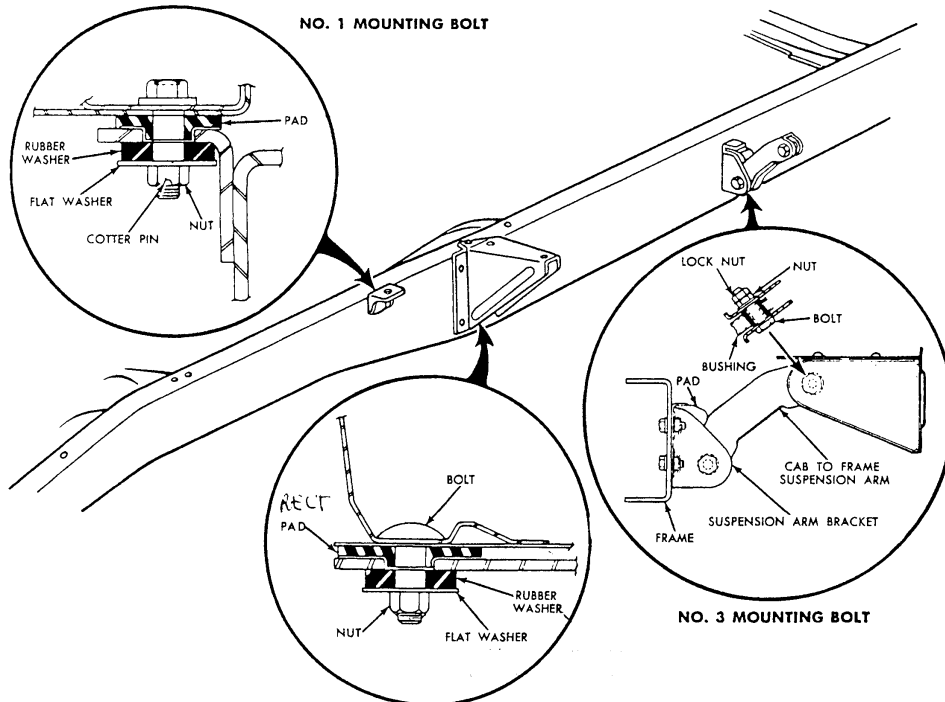
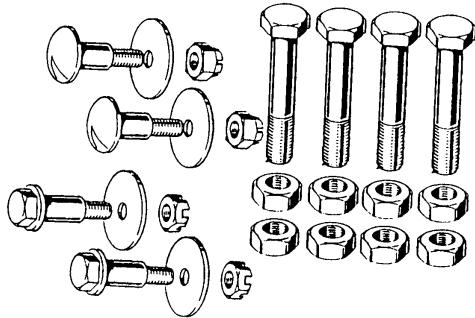
BODY TO FRAME PAD SETS

8A-5001	BODY TO FRAME PAD KIT, except conv't, wagon, sedan delivery	49-50	55.00
1A-5001	BODY TO FRAME PAD KIT, except conv't, wagon, sedan delivery	51-51	55.00
7C-5400-S	BODY TO FRAME MOUNT KIT, pickup	48-52	20.00
BAAA-5400-S	BODY TO FRAME MOUNT KIT, pickup	53-56	15.00

CAB TO FRAME PADS/ARM ASS'Y PICKUPS:

7C-5352	ARM ASSEMBLY, cab to frame with bushings, each	48-56	18.50
7C-5360	PAD, rear of cab to frame susp arm	48-52	6.00
BAAA-5360	PAD, rear of cab to frame susp arm	53-56	6.00
7C-5400-SS	CAB TO FRAME PAD & BUSHING KIT .	48-52	20.00
BAAA-5400-S	CAB TO FRAME PAD & BUSHING KIT .	53-56	15.00
7C-5404-S	BOLTS TO MOUNT CAB TO FRAME .	48-52	20.00
BAAA-5404-S	BOLTS TO MOUNT CAB TO FRAME .	53-56	20.00

**7C-5404-KIT
BOLTS FOR CAB TO FRAME**



BAAA-8102058-PR	UPPER CAB MOUNT CUPS, top of large rubber mount, pair	53-56	24.00
BAAA-8102060-PR	METAL CUP under large cab mount rubber	53-56	8.00

FRONT LICENSE PLATE BRACKETS

8A-17736	FRONT LIC BRKT, pass w/hardware	49-50	15.00
----------	---------------------------------------	-------	-------

ENGINE REAR SUPPORT

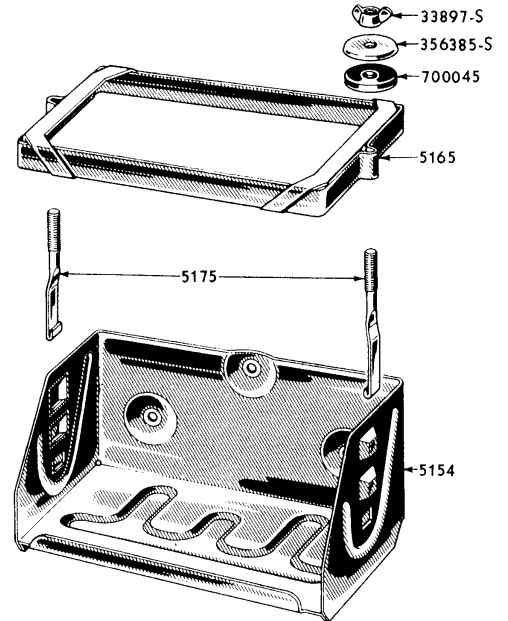
21A-6068	ENGINE REAR SUPPORT, passenger & commercial 48-52, 8 & 6 P/UP	42-52	29.95
----------	--	-------	-------

BATTERY

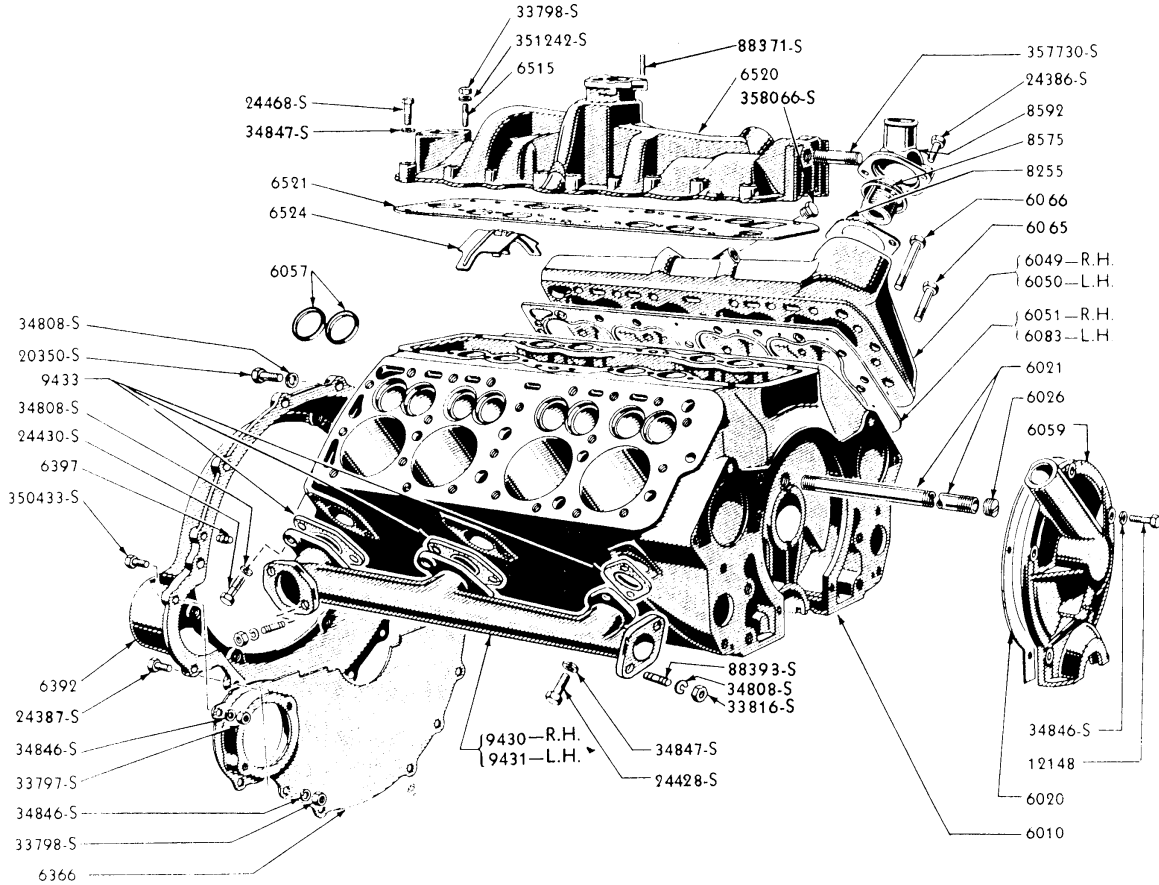
01A-5100-FS	BATTERY, Ford script *	40-53	135.00
-------------	------------------------------	-------	--------

* Quoted price is for "drop ship" from factory in Pennsylvania. Batteries are warranted by manufacturer for four years, and are shipped "dry". You buy the acid locally and activate the battery when ready to put it to use.

8M-5154-B	BATTERY TRAY, Pass	49-51	60.00
7C-10732	BATTERY TRAY V-8 P/UP	48-52	80.00
B3C-10732	BATTERY TRAY P/UP	53-53	69.95
B4C-10732-D	BATTERY TRAY P/UP	54-55	69.95
B6C-10732-D	BATTERY TRAY P/UP	56-56	69.95
7C-10732	BATTERY TRAY ASS'Y, V-8 F-SERIES PICKUP	48-52	80.00



**1949-51 BATTERY CARRIER
AND RELATED PARTS**



CYLINDER BLOCK & RELATED PARTS (8 CYLINDER 239 ENGINE)
 Group numbers only shown on illustration. Refer to group for complete Part Number.

REAR SPRING SHACKLE SETS

7C-5630	REAR SHACKLE KIT, PU, one spring	48-56	30.95
A9A-5630	REAR SPRING SHACKLE KIT, front of rear spring, passenger	49-54	3.95
COAZ-5630D	REAR SPRING SHACKLE KIT, rear of spring, passenger	49-51	8.95
COAZ-5630-B	REAR SPRING SHACKLE KIT, rear of spring, passenger	51-59	8.95
8A-5719	REAR SPRING BUSHING, passenger cars, need 12	49-56	1.50
8A-5724	LEAF SPRING CLAMPS, passenger & p/u	49-65	2.95
8A-5334-S	REAR SPRING CLAMP LINER, rubber, one car	49-59	6.50
AB-5741-A	REAR SPRING PADS, upper/lower,		
AB-5586-A	REAR SPRING ANTI SQUEAK	49-56	2.50
	use between leavers, pass car, 4 per car	52-56	8.50
MA-5705-S	REAR SPRING U-BOLT, 4 per car	49-56	5.00
21C-5701-C	REAR SPRING U-BOLT F-1 p/u	42-56	7.50

**REAR AXLE BUMPERS
 For Cars and Commercial**

11A-3020	REAR AXLE BUMPERS, F-1 pickup 48-54, F-2, each	53-56	5.00
----------	---	-------	------

ENGINE

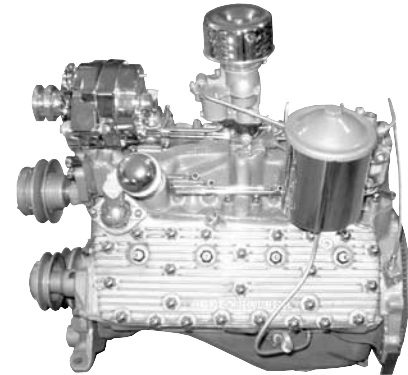
ENGINE ENAMEL:

M-200-BR-QT	FORD BRONZE	49-51	33.00
M-200-OR-QT	FORD ORANGE	52-52	31.00

Note . . .Trucks use green 1928-40 & blue 1941-48.

REBUILT ENGINES:

We have rebuilt engines available in stock. Engines include: all machine work, new main/rod bearings, cam bearings, new timing gear, new piston/rings, new valves, guides, springs, keepers, new adjustable lifters, rebuilt 80lb fuel pump and rebuilt water pumps Engines are complete with heads,intake manifold, oil pan and resurfaces flywheel. Call for pricing.



ENGINE HARDWARE KIT:

8BA-6000-MBSS	ENGINE HARDWARE KIT SS	49-56	34.95
8BA-6020-MB	TIMING COVER MIUNTING KIT	49-53	2.95
8BA-6520-MB	INTAKE MANIFOLD MOUNTING KIT	49-53	9.95
8BA-6700-MB	OIL PAN MOUNTING KIT	49-53	5.95
8BA-8255-mb	WATER NECK MOUNTING KIT	49-53	2.95
8BA-8592-MBSS	MOUNTING BOLTS	49-56	1.95
8BA-8501-MBSS	WATER PUMP MOUNTING BOLTS, ss ..	49-53	6.95

ENGINE GASKETS: 6 CYLINDER ENGINE

7HA-6008-K	ENGINE GASK SET 226 CI 6	47-51	89.95
EBP-6008-K	ENGINE GASKET SET 215/223/262	52-64	89.95

In deciding what material gasket to buy, remember that if you have aluminum heads that you must use a composition (korbestos) type gasket because of chemical reactions between metals. When using cast iron heads any type gasket is safe to use.

1949-1953 ENGINE GASKETS:

8BA-6008-K	ENGINE GASKET SET w/korbestos head gaskets	49-53	79.95
8BA-6008-C	ENGINE GASKET SET with copper head gaskets	49-53	89.95
X8BA-6008	ENGINE GASKET SET, no head gaskets	49-53	56.95
7HA-6051-K	CYLINDER HEAD GASKET, 226 CI 6 cylinder	47-51	29.95
EAB-6051-K	CYLINDER HEAD GASKET, korbestos, right hand	49-53	15.95
EAB-6083-K	CYLINDER HEAD GASKET, korbestos, left hand	49-53	15.95
EAA-6051-K	CYLINDER HEAD GASKET, composition, 215/233 CI, 6 cylinder	54-64	34.95
EAB-6083-C	HEAD GASKET COPPER, left side	49-53	26.95
EAB-6051-C	HEAD GASKET COPPER, right side	49-53	26.95
8BA-6051-BB	HEAD GASK BIG BORE, RT SIDE	49-53	36.95
8BA-6083-BB	HEAD GASKT BIG BORE, LEFT	49-53	36.95

ENGINE GASKETS 239 OH VALVE V-8 54-55

EBU-6008	ENGINE GASKET SET, W/head gask	54-55	84.95
----------	--------------------------------------	-------	-------

ENGINE GASKET SET 272/292/312 V-8, 55-64

B7AZ-6008	ENGINE GASKET SET, w/head gask 272/292/312 V-8	55-64	89.95
B6A-6051-K	HEAD GASKET, 272/292/312 V-8	55-64	10.95

MISCELLANEOUS GASKETS:

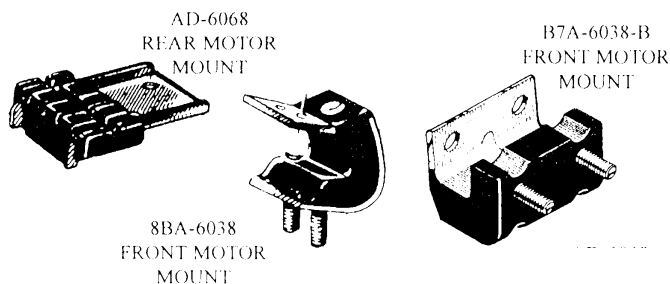
7HA-6521	VALVE COVER GASKET 6 Cyl	47-51	3.95
8BA-6521	INTAKE MANIFOLD GASKET	49-53	6.95
B-6700-M	MODERN ONE PIECE OIL SEAL front pan/crank	48-53	10.95
B-6700	FRONT SEAL, oil pan	28-53	3.00
EAA-6838-A	OIL FLTR MTG GASK, V-8 ENG	52-63	1.00
B4AZ-6020-S	FRONT TIMING COVER GASKET & SEAL KIT, ALL V-8	54-62	13.95

OIL PAN GASKET SETS

7HA-6781	OIL PAN GASKET SET, 226 CI 6 Cyinder	47-51	14.95
8BA-6781	OIL PAN GASKET SET, for V8	49-53	11.50
COAZ-6710-A	OIL PAN GASKET SET, 215/223 CI 6 Clyinder	54-64	9.95
COAZ-6710-B	OIL PAN GASKET SET, ALL V-8	54-64	8.95

EXHAUST MANIFOLD GASKETS

18-9433	EXHAUST MANIFOLD GASKET SET, 8 piece	32-53	4.50
8BA-9433-MB	EXHAUST MANIFOLD MOUNTING HARDWARE	49-53	9.95
8BA-6520-MBSS	INTAKE MANIFOLD MOUNTING KIT	49-53	5.95
ECK-9433	EXHAUST MANIFOLD GASKET SET, 272, 292, 312 V8	54-62	12.95
EBU-9433	INTAKE MANIFOLD GASKET SET, 239 V8	54-54	6.95
EPB-9433	EXHAUST/INTAKE MANIFOLD GASKET SET 215/223 CI, 6 CYL	52-64	9.95
B7AZ-9433	INTAKE MANIFOLD GASKET SET, 272, 292, 312 V8	55-62	10.95
C1SZ-9450	GASKET, 239, 272, 292, 312 V8	49-62	2.50
EBU-9450	GASKET, 239 V8 to Xover	54-54	.95
B5A-9450	GASKET, 272 V8 to Xover	55-56	1.00



FRONT AND REAR MOTOR MOUNT KITS:

78-6038	FRONT MOTOR MOUNT, 6 & 8 cylinder pickup	48-51	15.00
MA-6038	FRONT MOTOR MOUNTS, 6 & 8 cylinder, passenger	49-53	14.95
B7A-6038-A	FRONT MOTOR MOUNT, 6 cylinder passenger cars	54-58	14.95
B7A-6038B	FRONT MTR MT, ALL V-8	54-58	15.95
2C-6047	FRONT MOTOR MOUNT BOLT, F1-F6 truck	52-52	5.00
8L-6038-B	LARGE UPPER CUSHION, pickup, need 2	52-52	8.95
8L-6039-B	SMALL LOWER CUSHION, pickup, need 2	52-52	5.00
B5S-6038	RECTANGULAR MOUNT, upper, F1 pickup, 6 & 8 cylinder	53-56	18.95
TAAA-6039	LOWER MOTOR MOUNT, F1 pickup, 6 & 8 cylinder	53-56	3.95

REAR ENGINE SUPPORT

21A-6068	REAR TRANSMISSION MOUNT, pass 42-48, pickup F-1 42-52	42-52	29.95
8A-6068	ENGINE REAR TRANSMISSION SUPPORT, 6 & 8 cylinder	49-50	15.95
AD-6068	ENGINE REAR TRANSMISSION SUPPORT, 6 & 8 cylinder	51-56	15.95
TAAA-6068	REAR MOTOR MOUNT UPPER, pickup, need 2, 6 & 8 cylinder	53-60	10.95
COTT-6A061	REAR MOTOR MOUNT LOWER, pickup, 6 & 8 cylinder, need 2	53-60	5.95

CYLINDER SLEEVES:

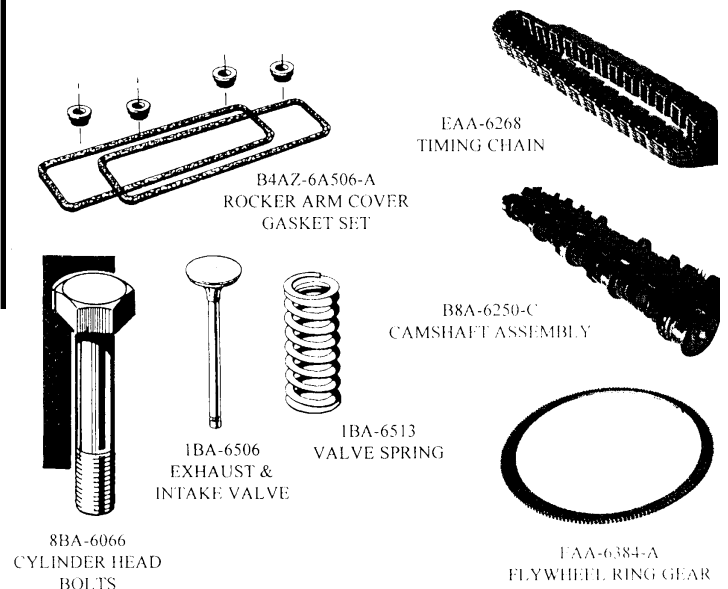
99A-6055	THIN STEEL, 3 3/16, 95 HP	39-53	19.95
59A-6005	CAST IRON, 3 3/16	39-53	22.95

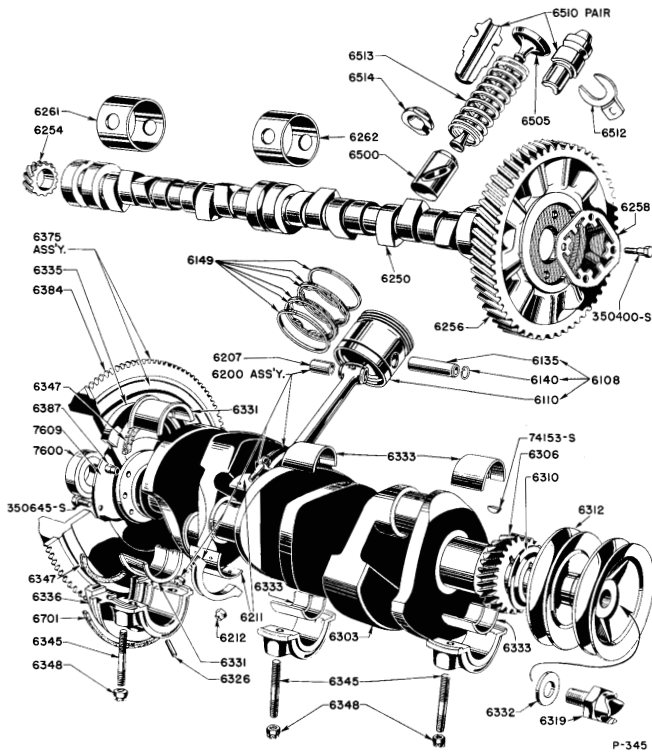
CYLINDER HEAD STUDS:

8BA-6065	HEAD STUD, 1.94", 20 req	48-53	1.00
8BA-6066	HEAD STUD, 2.62", 28 req	48-53	1.50
8BA-6066-R	HEAD STUD, 2.78, Use W/Alum Heads	49-53	1.30
EF-48	STAINLESS STEEL Head Washers Use W/Alum Heads, Set of 48	32-53	12.50
351020-S	STEEL HEAD WASHERS	32-53	6.50
351242-S	INTAKE MANIFOLD WASHERS	32-53	3.00

CHROME HEAD & INTAKE NUT COVERS

HR-6050-CO	CHROME HEAD NUT COVERS, set of 50	32-53	29.95
HR-6520-CO	INTAKE NUT COVERS, set of 20	32-53	15.00





8 CYLINDER ENGINE - 90 AND 100 H.P.

PISTONS : Specify size: Std., .020, .030, .040, .060

8BA-6108	PISTON SET (8), bore, solid skirt, 4 ring type, not to be used with steel sleeves, state size std.-.125	39-53	235.00
8BA-6108-100	PISTON SET pistons .100 oversize 4 reing dome		235.00
EAC-6108-S	PISTON SET - MERCURY .255 V-8 4" crank - std. - .125 state size needed	49-53	295.00
ECB-6108-S	PISTON SET, 272 V-8	55-60	199.95
ECK-6108-S	PISTON SET, 292 V-8	55-64	189.95
B6A-6108-S	PISTON SET, 312 V-8	56-58	225.00

PISTON PINS & CLIPS

78-6140	PISTON PIN CLIP SET (16 piece) (above pistons have clips)	32-53	3.50
---------	---	-------	------

PISTON RINGS:

8BA-6149	RING SET for 8BA-6149 pistons, 3 3/16" bore, sizes as shown above plus .125, For Ford & Mercury pistons	39-53	69.95
EBU-6149-S	PISTON RINGS, 239 V-8 OH VALVE ...	54-55	49.95
ECB-6149-S	PISTON RINGS, 272 V-8	55-59	45.00
ECK-6149-020	PISTON RINGS 020 SET	55-64	45.00
ECK-6149-S	PISTON RINGS, 292 V-8	55-64	45.00
ECK-6149-STD	PISTON RINGS	55-64	45.00
B6A-6149-S	PISTON RINGS, 312 V-8	56-58	49.95
B6A-6149-STD	PISTON RINGS, 312 V-8	56-58	49.95
B6A-6149-020	PISTON RINGS, 312 V-8	56-58	49.95

CONNECTING ROD AREA:

OBA-6200	CONNECTING ROD, rebuilt exchange only, with squirt hole, Ford & Mercury	49-53	29.95
EBU-6200	CONN ROD, 239, 256 V-8	54-56	29.95
B5A-6200	CONN ROD, 272/292 V-8	55-64	39.95
8BA-6200	CONN ROD, rebuilt, exchange only	49-49	29.95

CONNECTING ROD BUSHINGS

EAA-6207	CONN BUSHING, 215/223 6CYL, 292/312 V-8	52-64	2.50
----------	---	-------	------

CONNECTING ROD BEARINGS

0BA-6211	CONNECTING ROD BEARINGS, Standard - .040, NEED 8	48-53	19.95
B5T-6211	CONN ROD BEARING, 272/292/312 STATE SIZE, STD, 010, 020, 030	54-64	8.95

CAMSHAFT

EAB-6250	CAM SHAFT, NOS, 239 V8	48-53	225.00
B8A-6250-C	CAMSHAFT, 272/292/312 V-8	54-64	99.50
18-6254-B	CAM GEAR, small, 3/8 flat on ID	33-53	6.00

TIMING GEAR AREA:

8BA-6256D	TIMING GEAR, available in aluminum or fibre, please specify	49-53	39.95
91A-6258	TIMING GEAR LOCK RING W/Bolts	39-53	2.50

CAMSHAFT & CRANKSHAFT TIMING GEARS FOR 52-64 215/223 6 CYL & 272/292/312 V-8 ENGINES

EAA-6256	CAMSHAFT SPROCKET	52-64	15.95
EAA-6268	TIMING CHAIN	52-64	19.95
B8A-6306-B	CRANKSHAFT SPROCKET	52-64	9.95
EAA-6269	CAM THRUST WASHER	52-64	5.95
91A-6258	TIMING GEAR LOCK RING with bolts	39-53	2.50
B8A-6306-B-SET	TIMING SET INCL: EAA-6286 chain, EAA-6256 camshaft sprockets, B8A-6306B crankshaft sprocket, 272/292/312 V-8	54-62	43.95

CAMSHAFT BEARINGS SETS

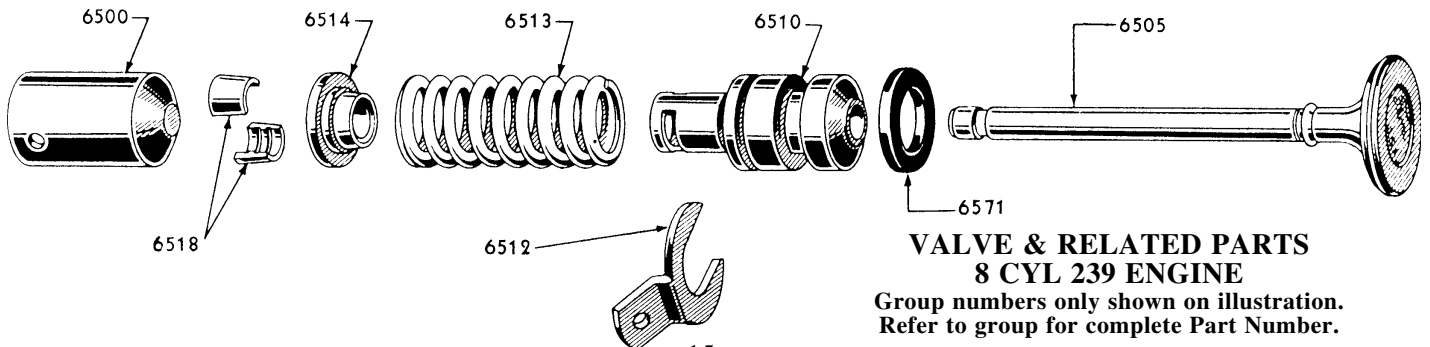
01A-6260	CAMSHAFT BEARING SET, 3 piece (Specify Standard, .010 or .020)	32-53	33.95
01A-6260-OS	+010 & + 020 OS	32-53	41.95
C3TZ-6251-B	CAM BEARINGS, 272/292/312 V-8	54-60	29.95

CRANKSHAFT AREA:

74-153-S	CRANK GEAR WOODRUFF KEY	38-53	1.00
81A-6310	OIL SLINGER, 85/95 HP	38-53	1.50

MAIN BEARING SETS

1BA-6330-S	CRANKSHAFT MAIN BEARING SET, 239 V8 Standard - .060	49-53	98.50
EBV-6330-S	CRANKSHAFT MAIN BEARINGS STD-030, 272/292 V-8	52-64	98.50
B6A-6330-S	CRANKSHAFT MAIN BEARINGS STD-030 312 V-8	56-58	159.95



VALVE & RELATED PARTS 8 CYL 239 ENGINE

Group numbers only shown on illustration. Refer to group for complete Part Number.

CRANKSHAFT SEALS

8BA-6335	SEAL, crankshaft rear main upper, aluminum	49-53	31.95
C1AZ-6A321-C	REAR CRANK OIL SEAL SET 272/292/312 V-8	54-64	9.95

FLYWHEEL RING GEAR:

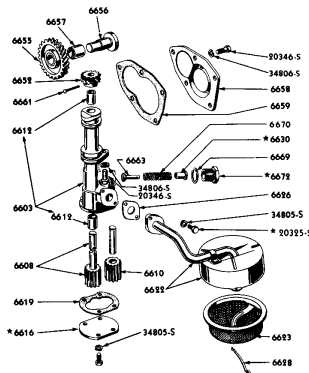
8BA-6384	FLYWHEEL RING GEAR, 239 V8	49-53	34.95
EAA-6384	FLYWHEEL RING GEAR, ALL	52-64	24.95
B4A-6346	RUBBER SEAL, STARTER TO FLYWHEEL HOUSING	54-59	7.95

VALVE AREA 1949-53 V8:

91A-6500-AS	ADJUSTABLE TAPPETS,	49-53	14.95
91A-6500-W	WRENCH for installing above		6.95
8BA-6505	VALVE, intake and exhaust,	49-50	6.95
1BA-6505	VALVE, intake and exhaust,	51-53	9.95
8BA-6510	VALVE GUIDE, solid type,		4.50
40-6512	VALVE GUIDE RETAINER,	each	1.00
78-6513	VALVE SPRING to use with 8BA-6505 valve,	16 per set	1.50
1BA-6513	VALVE SPRING to use with 1BA-6505 valve,	16 per set	2.00
8BA-6514	VALVE SPRING RETAINER used with 8BA-6505,	each	1.50
7HA-6518	VALVE LOCK KEY, upper top of stem,	per pair	.30
8BA-6571	VALVE GUIDE "O" RING SEALS, set of 8,	49-53	3.00
EF-185-G	VALVE SPRING isky hi performance	set of 16	79.95

VALVE AREA, 54-64 OH VALVE ENGINES

EAA-6500	VALVE TAPPETS, ALL	52-64	11.95
B6A-6505-A	VALVE, 239,272,292,312 V-8	52-62	7.50
	INTAKE & EXHAUST		
B4AZ-6A506	VALVE COVER GASKET SET,ALL	52-64	9.95
B6A-6513	VALVE SPRINGS, ALL	52-64	1.50
COAE-6521-A	PUSH ROD COVER GASKET w/grommet, 292 V-8 engine	54-64	9.95
B4AZ-6563-XPR	ROCKER ARM ASS'Y ALL V-8	54-64	159.95
B4AZ-6563-A	ROCKER ARM SHAFT, ALL V-8	54-64	18.95
C0AZ-6564	ROCKER ARM & SCREW, V-8	54-64	8.95
EBU-6565	ROCKER ARM PUSH ROD, 239 V8	54-55	3.00
COAE-6565-D	ROCKER ARM PUSH ROD ALL V8	56-64	3.00
COAE-6507-5	INTAKE VALVE, 272/312 V8	55-56	7.95
B6A-6505	EXHAUST VALVE, 239/272/292/312	54-62	6.50
B9A-6570	ROCKER ARM COVER GROMMET	54-64	2.00



**OIL PUMP
(8 CYLINDER 239 "L" HEAD ENGINE)**

OIL PUMP:

8BA-6600-RK	OIL PUMP REBUILD KIT, 80 pound pump with short shaft	32-53	55.00
8BA-6621	OIL PUMP, 80 lb, short body - new USA made	32-53	107.95
8BA-6621-R	OIL PUMP, 80LB, rebuilt	32-53	62.50
8BA-6600-HV	OIL PUMP, HIGH VOLUMN	32-53	129.95

COAE-6600-D	OIL PUMP, HEX DRIVE ALL V-8	55-60	69.96
COAE-6600D	OIL PUMP NEW-272/292/312 V-8	55-62	85.00
COAE-6600-RKT	OIL PUMP REPAIR KIT-272/292/312 V8	55-62	19.95
8RT-6615	PICKUP TUBE ASSEMBLY, 80 lb. short pump	33-53	19.95
B9A-6618-A	OIL PUMP INTERMEDIATE SHAFT 272/292/312 V8	55-62	7.95
68-6623	PICKUP TUBE SCREEN	33-53	15.00
8BA-6628	OIL PUMP SCREEN CLIP (holds screen to pickup tube)	33-53	1.00
7HT-6698	OIL PAN CLEAN OUT PLATE GASKET	49-56	3.75
8HA-6730	OIL PAN DRAIN PLUG	49-56	2.50
8HA-6734	OIL PAN DRAIN PLUG GASKET	49-56	.70
48-6754	OIL DIPSTICK TUBE	35-53	8.50
8BA-6716-AB	OIL FILTER INPUT & OUTPUT LINES pickup	48-52	25.00
8BA-6716-ABSS	OIL FILTER INPUT & OUTPUT LINES stainless, pickup	48-52	35.00
8BA-6750	OIL DIPSTICK, 8BA ENGINE	49-53	16.50
8BA-6766	OIL CAP	49-53	10.00
B5A-6766-R	OIL CAP 6 & V-8	52-66	20.00
C2SZ-6766	OIL CAP CHROME 6/8 CYL	52-66	12.95

TRANSMISSION

MAIN DRIVE GEAR (INPUT SHAFT):

81A-7017	MAIN DRIVE GEAR, 16 teeth, also 40-52 commercial	38-52	95.00
022A-7017	MAIN DRIVE GEAR, 15 teeth, also 40-52 commercial	38-52	95.00
B5A-7017-B	MAIN DRIVE GEAR, W/OD, passenger, 223-6 cylinder	55-56	79.00
B6A-7017-A	MAIN DRIVE GEAR, passenger, 272 V-8	55-56	79.00
B6A-7017-B	MAIN DRIVE GEAR, passenger, 292 V-8	56-56	79.00
TAAA-7017	MAIN DRIVE GEAR, pickup, 3 speed LD	53-55	95.00
B6C-7017-A	MAIN DRIVE GEAR, pickup, 8 cylinder	56-62	95.00
8A-7017	MAIN DRIVE GEAR	49-50	85.00
1A-7017	MAIN DRIVE GEAR, 49-54, 55-56 6 cylinder	49-56	85.00
B5A-7017-A	MAIN DRIVE GEAR	55-56	98.00

TRANSMISSION MAIN DRIVE GEAR BEARINGS:

51A-7025	BEARING, with snap ring	32-54	19.95
51A-7025-FM	BEARING, w/snap ring USA MADE	32-54	35.95
8A-7025	BEARING, passenger/commercial	49-62	14.95
51A-7065	BEARING, with snap ring	32-54	19.95
51A-7065-FM	BEARING, w/snap ring USA MADE	32-54	35.95
B-7064	SNAP RING WASHER	32-52	2.50

TRANSMISSION OIL SEALS:

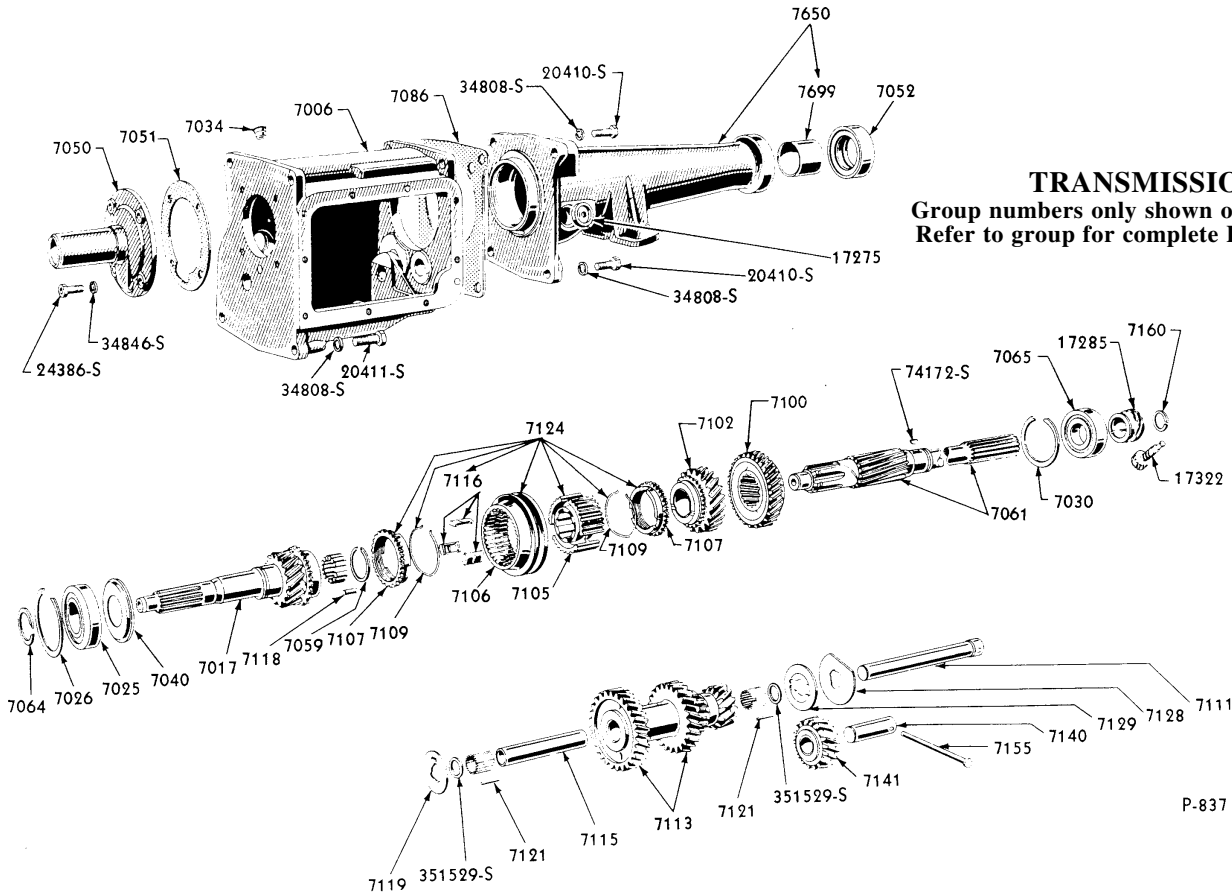
21C-7052	SEAL, TRANS TAIL SHAFT,42-63 p/up	42-63	3.95
----------	---	-------	------

TRANSMISSION MAIN SHAFT:

8A-7061-A	MAINSHAFT	49-50	75.00
8A-7061-B	MAINSHAFT with overdrive	49-50	65.95
1C-7061	MAINSHAFT, pickup 3 speed w/28T, 1st gear, pickup	48-52	85.00
B5A-7061-C	MAINSHAFT, w/28T, 1st gear, pass	52-56	76.00
B5C-7061-A	MAINSHAFT, w/28T, 1st gear, Mercury & 56-62 pickup	52-54	79.00
1A-7061-A	MAINSHAFT	1951	75.00
1A-7061-B	MAINSHAFT, with overdrive	1951	85.00
AB-7061-A	MAINSHAFT	52-56	85.00

MAINSHAFTS FOR COMMERCIAL AND PICKUP:

1C-7061	MAINSHAFT, commerical	51-52	95.00
---------	-----------------------------	-------	-------



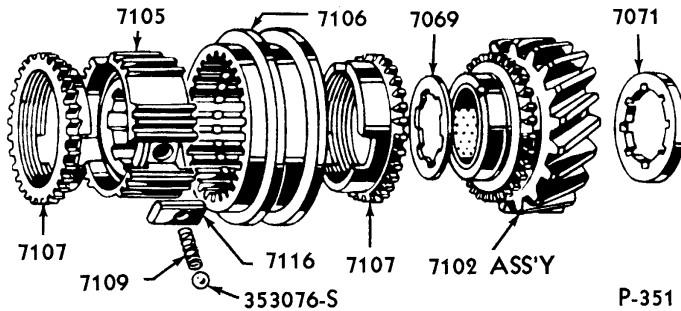
TRANSMISSION
Group numbers only shown on illustration. Refer to group for complete Part Number.

LOW & REVERSE SLIDING GEAR:

01A-7100	GEAR, 29 hel, 15 hel spl, 40-50 pickup ..	36-50	79.95
COTR-7100	1ST REVERSE SLIDER, pickup, w/ 3 1/6 groove, 28/16, 55-56 pass	53-56	75.00
1A-7100	GEAR, passenger & pickup	51-54	95.00
MB-7100	GEAR, low reverse	54-55	95.00
B6A-7100	GEAR, low reverse, passr with O/D	56-64	95.00

INTERMEDIATE, SECOND GEAR:

81A-7102	SECOND GEAR, bushed, 40-50 pickup ..	38-50	95.00
ClAZ-7102	SECOND GEAR, 22T passenger 51-54, p/up w/B4A-7113, 48-55 3 speed LD	48-55	75.00
B7A-7102-A	SECOND GEAR, pickup 23T	53-55	75.00
1A-7102	SECOND GEAR	51-62	85.00



SYNCHRONIZER (01A-7124-A)

SYNCHRONIZER:

81A-7107	BRASS BLOCK RING	38-60	5.95
01A-7106	OUTER SLEEVE	40-60	28.95
51A-7109-S	CLIP & SPRING SET	40-60	3.95
8M-7124	SYNCHRONIZER ASSEMBLY COMPLETE, also for pickups	40-56	54.95

COUNTERSHAFT (INSIDE CLUSTER GEAR):

B-7111	COUNTERSHAFT, 40-50 pickups	32-48	5.95
B-7115	COUNTERSHAFT SPACER	32-50	5.00

8A-7111-B	COUNTERSHAFT, passenger & p/up	49-54	12.95
COAR-7111-A	COUNTERSHAFT, passenger	55-62	6.50

CLUSTER GEARS:

B4A-7113	CLUSTER GEAR F-1 1/2 Ton 27-23-17-13, 51-54 Pass Ford/Merc 48-54 1/2 Ton	48-55	250.00
68-7113	CLUSTER GEAR Mercury 48-50 P/UP ..	48-55	275.00
8A-7113	CLUSTER GEAR	49-50	175.00
C2AZ-7113-A	CLUSTER GEAR, pickup 223 6 Cyl 27-23-17-14 pass, 55 pickup 3 speed LD	55-56	195.00
C2TZ-7113-B	CLUSTER GEAR 272/292 V-8 Pass 25-22-17-14	55-56	195.00
B7A-7113-H	CLUSTER GEAR 292 V-8 24-22-17-14 Pass, T-Bird W/292 55-56 WO/OD - 55 292 W/OD	56-56	195.00
B5A-7113-D	CLUSTER GEAR T-Bird W/312	56-57	195.00
B6A-7113-B	CLUSTER GEAR W/OD 272 V-8 32-25-19-14 Pass	55-57	195.00
B6A-7113-C	CLUSTER GEAR W/OD 292 V-8 31-25-19-14 Pass	56-60	195.00
C1AA-7113-B	CLUSTER GEAR 223 6 Cyl 33-25-19-14 Pass	55-61	195.00

Other Cluster Gears & Packages available. Please inquire.

NEEDLE & ROLLER BEARINGS:

8A-7118-S	CLUSTER ROLLER PACK	49-59	5.95
8A-7121-S	CLUSTER ROLLER PACK (50)	49-60	10.95

REVERSE IDLER GEAR & SHAFT:

68-7141	REVERSE IDLER GEAR, 18 hel teeth	36-50	69.95
1A-7141	REVERSE IDLER GEAR, 48-55 pickup .	51-54	65.00
B9TR/COAR-7141-C	REVERSE IDLER GEAR, passenger, 17T, also 56 pickup	55-56	55.00
B5A-7141-C	REVERSE IDLER GEAR	55-57	65.00
B6A-7141	REVERSE IDLER GEAR	53-63	55.00
B-7140	IDLER GEAR SHAFT	32-60	5.95

GASKET SETS:

B-7153	TRANS GASKET SET, passenger & commercial	32-50	6.95
B8AZ-7153-A	TRANS GASKET SET, pickup w/223, 272, 292	51-64	8.95
8A-7153-A	TRANS GASKET SET	49-50	5.95
8A-7153-B	TRANS GASKET SET w/OD	49-50	9.95
1A-7153-A	TRANS GASKET SET	51-54	5.95
8M-7153	TRANS GASKET SET, MERCURY	49-51	13.25
B2A-7153-B	TRANS GASKET SET, w/OD 3 speed	51-54	8.95

CLUSTER GEAR WASHERS:

8M-7129	REAR W/51A CLUSTER	40-53	6.95
A0A-7130	CLUSTER WASHER SET, 3 pieces, 53-55 pickup w/B4A-7113	48-55	10.00

GEAR SHIFT PARTS:

01A-7288	LINKAGE TO TRANS HOUSING SEALS, need 2 per car	40-51	3.50
01A-7354-RK	SHIFT LINKAGE REPAIR KIT	40-51	13.50

OVERDRIVE:

8A-6918-B	OVERDRIVE KICKDOWN SWITCH	48-60	15.00
8M-6917	OVERDRIVE SWITCH WIRES, Ford/Mercury	49-50	3.95
8M-14396	OVERDRIVE FUSE WIRE	49-51	3.95
8M-14382	OVERDRIVE WIRING HARNESS	49-50	27.95
1A-14382A	OVERDRIVE WIRING HARNESS, passenger cars	1951	24.95
FAA-14382A	OVERDRIVE WIRING HARNESS	52-53	16.95
FAC-14382A	OVERDRIVE WIRING HARNESS, passenger & pickup	52-54	18.95
A9AZ-7A650-A	OVERDRIVE CABLE W/HANDLE 49-62 pass., 49-64 merc., 53-72 F-100, 55-60 T-bird	49-72	50.00

GEAR SHIFT KNOBS

91C-7213	GEAR SHIFT KNOB, p/up floor shift	39-52	6.00
7C-7213	GEAR SHIFT KNOB, Col Shift, p/up	48-55	5.00
B6C-7213	GEAR SHIFT KNOB, Col Shift, P/up	56-60	5.00

Other shift knobs available, please inquire.

SHIFT LINKAGE REPAIR KIT:

01A-7354-RK	SHIFT LINKAGE REPAIR KIT, column shift only	40-51	13.50
01A-7288	SHIFT COVER OIL SEAL	40-48	3.00

CLUTCH SECTION

01A-7517	SPLIT BUSHING, clutch release equalizer	40-64	1.50
----------	---	-------	------

PEDAL RETURN SPRINGS

7RT-7523	CLUTCH PEDAL RETURN SPRING, F-1 - F-6 Trucks	48-52	3.85
8A-7523	CLUTCH PEDAL SPRING, passenger	49-50	3.95
1A-7523-B	CLUTCH RELEASE SPRING, 7"	51-51	10.00

CLUTCH DISC

29A-7550	CLUTCH DISC, new, spring center, molded lining, 10" diameter, pickup 41-64, passenger 41-48, 49-simerc	41-56	39.95
81T-7550	CLUTCH DISC, 11", Trucks 4 speed, 1/2 -2 Ton, new	39-68	46.95
8BA-7550	CLUTCH DISC, 9.5", V8 & 6 cyl	49-57	39.95
B5A-7550	CLUTCH DISC, 10" 10 spline V-8	49-57	39.50
B6A-7550D	CLUTCH DISC 11" 10 spline	49-57	39.95

CLUTCH PRESSURE PLATE

19A-7563	*CLUTCH PRESSURE PLATE, rebuilt, exchange, 10", also 48-64 pickup	41-48	65.00
19A-7563-N	CLUTCH PRESSURE PLATE, New, 48-64 pickup	48-64	99.00
51-7563	*PRESSURE PLATE, 11", trucks	48-68	59.95
1A-7563	*CLUTCH PRESSURE PLATE, rebuilt, exchange, 9.5" 49-57 v-8, 49-64 6 cyl.	49-68	69.95
350433-S	BOLTS, clutch pressure plate mounting, set of six	35-57	3.95
B6C-7563	CLUTCH PRESS PLATE 10.5", F-1-3 pickup	56-70	59.95
8CM-7563	PRESSURE PLATE 10", Mercury	49-50	75.00
1CM-7563	PRESSURE PLATE 10", Mercury	51-51	89.95

** Exchange item. Refundable core charge is \$25.00 if trade in unit is not sent with order, or is not rebuildable.*

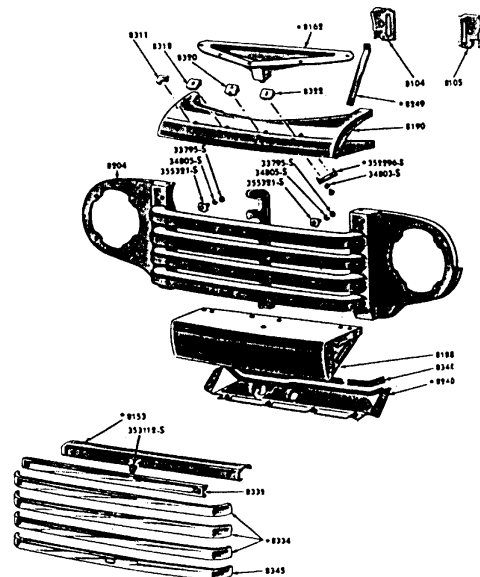
TAAA-7561-SET	CLUTCH Collar & Throwout Bearing Truck	53-64	17.95
8A-7561	RELEASE BEARING & COLLAR	49-51	28.95
AB-7561	RELEASE BEARING & COLOR	52-56	28.95
48-7562	THROWOUT BEARING SPRING	35-52	1.00
AB-7562	THROWOUT BEARING SPRING	52-56	1.00
78-7580	THROWOUT BEARING,	28-64	20.00
8A-7580	THROWOUT BEARING, heavy duty USA made.	49-64	17.95
B-7600	PILOT BEARING	28-75	5.00

COOLING SYSTEM

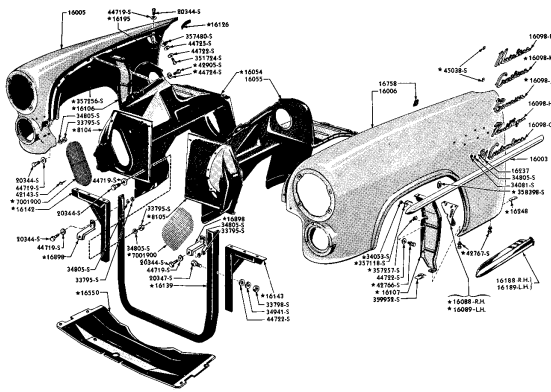
26H-8100-R	RADIATOR CAP, pass cars	49-53	9.50
B2AZ-8100-F	RADIATOR CAP, P/UP, 49-54 V-8 215/223 6 CYL	49-65	6.75
1T-8100-A	RADIATOR CAP, 4 lb. press, pickups	52-56	7.50
8A-8115	RADIATOR DRAIN COCK	42-59	4.95

RADIATOR AREA

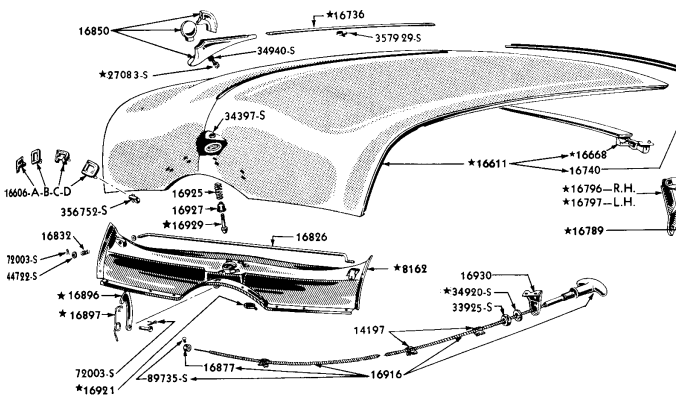
8C-8124-A	RADIATOR SUPPORT TO FRAME PADS, each, pickups	48-52	2.00
BAAAA-8125-S	RADIATOR MOUNT KIT, pickups	53-55	15.00
8A-8125	RADIATOR TO FRAME PAD	49-51	3.90



1948-50 RADIATOR GRILLE & RELATED PARTS (EXCEPT MODEL J)



1951-52 FENDERS, RUNNING BOARDS, ETC. (CONVENTIONAL CAB)



1949 HOOD AND RELATED PARTS

GRILLE AREA SHEET METAL

1C-8188	LOWER PANEL F1 GLASS P/UP	51-52	135.00
7C-8188	LOWER GRILL PANEL, below grill, behind bumper, pickup, USA made steel F-1-2-3	48-50	99.95
B6C-8188-A	LOWER GRILL PANEL F GLASS P/UP	55-56	135.00

HOOD ORNAMENTS & HANDLES

0A-16850	HOOD ORNAMENT, chrome, less plastic insert (will also fit 49)	1950	99.50
1A-16850	HOOD ORNAMENT, chrome, less plastic insert	1951	89.95
B5A-16850	HOOD ORNAMENT, chrome, pass	55-55	130.00
B6A-16850	HOOD ORNAMENT, chrome, pass	56-56	150.00
8A-16852	HOOD ORNAMENT, plastic	1949	6.00
0A-16852	HOOD ORNAMENT, plastic	1950	6.00
1A-16852	HOOD ORNAMENT, plastic	1951	6.50
B5A-18650	HOOD ORNAMENT, passenger car	1955	125.00

PICKUP GRILLE EMBLEMS & TRIM:

IRC-8259-A	RADIATOR GRILLE V8 EMBLEM, pickup	1951	42.50
2C-16608-A	RADIATOR GRILLE V-8 EMB, P/UP	52-52	42.50
BAAA-8259-A	RADIATOR GRILLE V8 EMBLEM, pickup	1953	55.00
B4C-8259	RADIATOR GRILLE V-8 EMBLEM, pickup	1954	55.00
B5C-8259	RADIATOR GRILLE V-8 EMBLEM, pickup	1955	55.00
B6C-8259-A	RADIATOR GRILLE V-8 EMBLEM, pickup	1956	55.00

7C-8315-S	RADIATOR GRILLE PANEL LETTERS F-O-R-D, 48-50 & 52 pickups	48-50	55.00
7C-8200-GBK	RADIATOR GRILLE TRIM, polished stainless, kit, pickups, (grille bars), 5 pieces	48-50	189.95

RADIATOR HOSES

1BA-8260	UPPER HOSE, pair, 1949-53	49-53	17.90
1BA-8285	HOSE KIT, "FORD SCRIPT", upper & lower hoses w/ clamps, pass. cars	49-53	50.00
8BA-8286	LOWER HOSE, pair	49-53	17.90
B5A-8286-B	LOWER HOSE, passenger V-8	55-59	9.95
B5A-8260-B	UPPER HOSE, V-8, pass., 272/292 V-8	55-56	10.50

1948-1956 Pickup Hoses:

8RT-8290-A	UPPER RADIATOR PIPE, V-8	48-53	9.85
21C-8260	LOWER HOSE, pickup V-8	48-53	8.50
8RT-8260-A	RADIATOR TO PIPE, 1.25 X 4.5	48-53	4.50
8RT-8260-B	RADIATOR PIPE TO CYLINDER HEAD, 1.25 x 2.5	48-53	3.50
8A-8287	RADIATOR HOSE CLAMP, 1 1/4 - 1 1/2	49-64	1.25
AB-8287	UPPER HOSE CLAMPS, 6 & 8	54-59	.85
B4A-8287	LOWER CLAMPS, V-8	54-59	.75

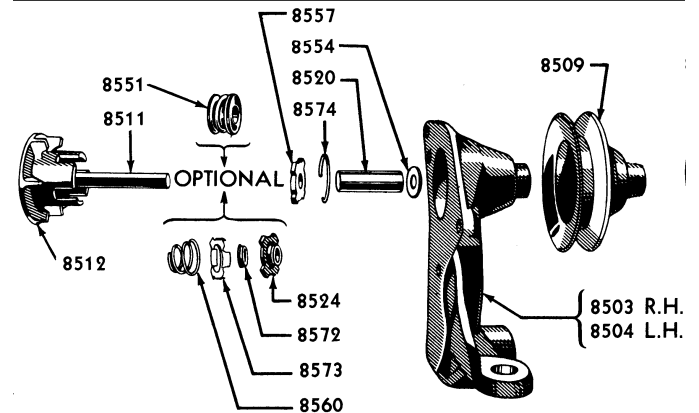
OVERFLOW TANKS

B-8005-WO15	15" SS OVERFLOW TANK	32-56	55.00
B-8005-WO17	17" SS OVERFLOW TANK	32-56	55.00
B-8005-WO19	19" SS OVERFLOW TANK	32-56	55.00
B-8005-WO13	13" SS OVERFLOW TANK	32-56	55.00

UPPER RADIATOR AIR DEFLECTOR PANELS & SEALS

7C-8348-A	LOWER RADIATOR GRILL SPLASH PAN TO RADIATOR SEAL, 29", pickup trucks	48-52	3.00
8BA-8349	AIR DEFLECTOR TO TOP OF RAD	49-53	2.00
1BA-8344	RAD AIR DEFLECT TO TOP HOOD	49-51	10.00
B5A-8344	SEAL, DEFLECTOR TO HOOD	55-56	9.00
B6C-8310	AIR DEFLECTOR GRILL RIGHT SIDE	56-56	109.95
B6C-8311	AIR DEFLECTOR GRILL LEFT SIDE	56-56	109.95
BAAA-8310	AIR DEFLECTOR GRILL RIGHT SIDE	53-55	109.95
BAAA-8311	AIR DEFLECTOR GRILL LEFT SIDE	53-55	109.95

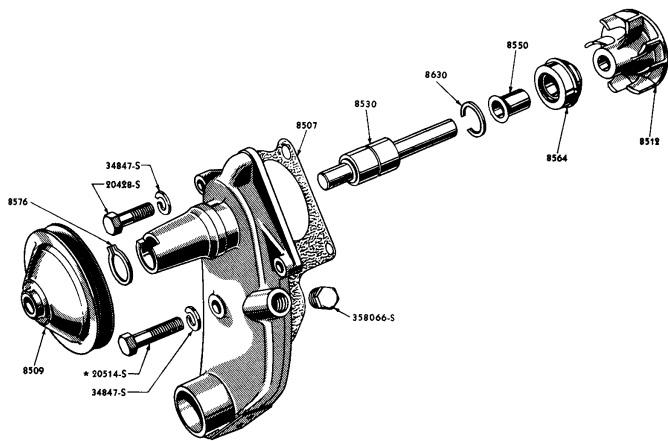
WATER PUMP AREA



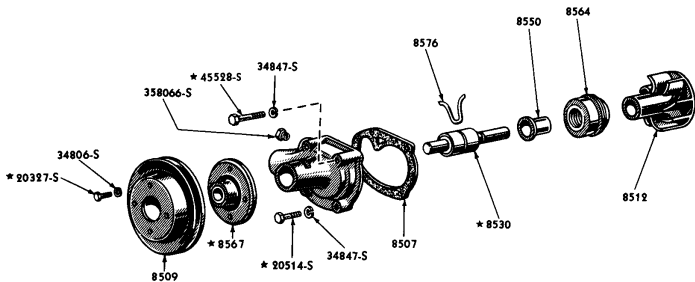
1948 8 CYLINDER 90 & 100 HP TRUCK WATER PUMP (78-8501-2)

8RT-8501	WATER PUMP, right side with gasket, V8 PICKUP, new USA made, V8	48-52	95.00
8RT-8502	WATER PUMP, left side with gasket, V8 PICKUP, new USA made, V8	48-52	95.00

Above 8RT -8501/2 pumps are used when mounting a 49-53 engine in a 32-48 Ford Pass or Pickup.



**WATER PUMP (8 CYLINDER ENGINE)
(EAB-8501-A & EAB 8502-A)**
Group numbers only shown on illustration.
Refer to group for complete Part Number.



WATER PUMP (6 CYLINDER 226 ENGINE)

8BA-8502-N	WATER PUMP NEW, LH, Wide pulley pass 1949	49-49	85.00
8BA-8501-N	WATER PUMP NEW, 49 Pass	49-49	85.00
8CM-8501	*WATER PUMP, RH, Merc Wide Belt ...	49-49	79.95
8CM-8502	*WATER PUMP, LH, Merc Wide Belt ...	49-49	79.95
OCM-8501	*WATER PUMP, RH, Merc Thin Belt	50-51	79.95
OCM-8502	*WATER PUMP, LH, Merc Thin Belt	50-51	79.95
EAB-8501-R	*WATER PUMP, right side with gasket, 239 V8, uses thin belt, rebuilt	50-53	74.95
EAB-8502-R	*WATER PUMP, left side with gasket, 239 V8, uses thin belt, rebuilt	50-53	74.95
EAB-8501-N	WATER PUMP, right side, new passenger & 1953 239 V-8 pickup	50-53	85.00
EAB-8502-N	WATER PUMP, left side, new passenger & 1953 239 V-8 pickup	50-53	85.00
B6A-8501-B	WATER PUMP, 272/292/312 V-8, passenger, New USA Made Pump	55-62	89.95
B6C-8501-B	WATER PUMP, 272/MD, 292, V-8, pickup, New USA Made Pump	55-64	89.95
	* Also used on 53 pickup with V8 * Core Charge \$30.00		

WATER PUMP MOUNTING GASKETS & BOLTS

8BA-8507	GASKET, water pump to block	49-53	1.50
B6A-8507	WATER PUMP MOUNTING GASKET, 272, 292, 312 V8	54-59	1.75
8BA-8501-MBSS	WATER PUMP MNTG BOLTS, ss	49-53	6.95

WATER PUMP PULLEYS

8RT-8509	WATER PUMP PULLEY, wide, 49 passenger, 48-52 pickup	48-52	10.00
8BA-8509-B	WATER PUMP PULLEY, thin, pass.	50-53	10.00
B0AZ-8509	WATER PUMP PULLEY, thin, pass.	50-53	10.00

WATER PUMP REBUILD KITS 1932-1964:

8BA-8591-K	WATER PUMP REBUILD KIT 239 V8 pickup trucks, passenger 239 V8 1953	48-53	22.95
B5A-8591-C	WATER PUMP REBUILD KIT, 292 V8 54-64 pickup, passenger cars 54-57 292 & 312 V8	54-64	24.50

THERMOSTATS & HEATER HOSE CONNECTOR:

8BA-8575-A	THERMOSTAT, 2 needed, sold each	49-53	5.00
8BA-8575-BHT	THERMOSTAT, 180 deg., passenger & pickup	49-53	5.00
C2AZ-8575-A	THERMOSTAT, V8, 160 deg., passenger & pickup, 52-64 6 CYL	54-65	7.95
C2AZ-8575-B	THERMOSTAT, V8, 180 deg., passenger & pickup 52-64 6 CYL	54-65	5.00
1BA-8592	THERMOSTAT HOUSING	49-53	12.50
8A-8592-HR	THERMOSTAT HOUSING,	49-53	15.00
8A-18594-C	HEATER CORE HOUSING	49-51	3.00
	polished aluminum		
8BA-8255-B	THERMOSTAT HOUSING GASKET	49-53	1.00
B5A-8255-A	THERMOSTAT HOUSING GASKETS, Pass & P/Up	54-60	1.00

HEATER HOSE BRACKETS, CONNECTORS, SHUT OFF VALVE

91A-15160	HEATER HOSE CONNECTOR (sets into radiator hose)	32-53	6.00
18495	HEATER SHUT OFF VALVE	ALL	16.95
	Mounts of Cyl Head		
1A-18578-A	HEATER SWITCH w/two terminals	1951	25.00
1C-18578	HEATER SWITCH, 49 passenger & 51-55 pickups	49-55	40.00

FAN BELTS:

21A-8577	FAN BELT (short belt for two belt car) ...	42-49	10.75
21A-8577	FAN BELT SCRIPT	42-49	13.75
7RA-8620	FAN BELT GENERATOR, wide	1949	14.95
8BA-8620	FAN BELT GENERATOR, V8, thin	50-53	9.50
8BA-8577	FAN BELT, thin belt fan	50-53	9.50
8435-8620	FAN AND GEN, 239 V8	54-54	10.00
7380-8620	POWER STEERING PUMP	54-54	8.95
9447-8620	FAN & GEN, 272, 292, 312 V8	55-55	12.95
9451-8620	FAN & GEN, 272-292-312, V8	56-56	12.95
9385-8620	POWER STEERING PUMP	55-56	11.95

1948-1956 PICKUP TRUCK BELTS, V8:

21A-8577	FAN BELT, F1-F6 truck, V8	48-53	11.95
7RA-8620	GEN BELT, F1-F3 pickups, V8	48-53	11.95
600-8620	FAN BELT, 239, 256, F1-F6, V8	54-55	15.95
8435-8620	GEN & WATER PUMP, V8, pickup	54-54	9.95
7430-8620	GEN & WATER PUMP, V8, pickup	55-55	8.95
9451-8620	SINGLE BELT, 272, 292, F1-F6	56-56	12.50

FAN HUB ASS'Y & INTERNAL PARTS

21A-8626	SPINDLE BEARING, 42-48 Pass 48-52 V-8 P/UP	42-52	20.00
21A-8638	GASKET	42-52	2.00
21A-8639	IMPELLER & SHAFT	42-52	45.00
21A-8646	GASKET	42-52	1.00

DECALS

DECALS:

Decal #3	DECAL, oil filter	39-48	3.00
Decal #4	DECAL, fan hub	42-48	3.00
Decal #5	DECAL, heavy duty oil bath cleaner	32-48	3.00
Decal #7	DECAL, oil bath air cleaner	42-48	3.00
DF-129	TIRE PRESSURE DECAL	49-51	5.00
DF-143	AIR CLEANER, OIL BATH, 49-51 passenger, 48-56 pickup	48-56	5.00
DF-1134	GENERATOR WARNING TAG	49-51	4.50

Other Decals Available, Please inquire

FUEL SYSTEM

FUEL TANKS

8A-9002	FUEL TANK NEW PASS CAR	49-51	325.00
BA-9002	FUEL TANK NEW PASS CAR	52-54	325.00
BAAA-9002	FUEL TANK NEW PICKUP TRUCK	53-55	275.00

GAS CAP:

18-9030-V8	GAS CAP with V-8 logo, by Bob Drake, passenger 32-48, pickup, 32-50	32-50	20.00
18-9030	GAS CAP, original style by Drake, passenger 32-48, pickups 32-50	32-50	20.00
8A-9030	GAS CAP, stainless steel, 49-59 passenger, 51-70 pickups	49-70	6.00
B6TZ-9030-A	GAS CAP (vented), F-1-7 trucks	51-70	7.95
48-18416-D	GAS CAP LOCKING, script, by Bob Drake, passenger 32-48, 32-50 pickups	32-50	30.00
O1A-18416-A	GAS CAP, LOCKING, by Drake	49-56	35.00
8A-18416	GAS CAP, LOCKING, 49-59 passenger, 51-70 pickup	49-70	16.50

GAS TANK & GAUGE AREA:

M-9002	GAS TANK SEALER & SLOSHING COMPOUND, alcohol resistant. We carry the Bill Hirsch product, considered the best, Quart		22.95
--------	--	--	-------

FILLER NECK HOSES, BUMPERS, DOOR SPRINGS

11A-9047-A	GAS NECK HOSE, 42-55 trucks	42-55	6.00
0A-16378	TANK FILLER LID BUMPERS	50-51	2.00
0A-16377	GAS TANK FILLER DOOR SPRING, each	50-51	12.00
BA-13398-B	GAS TANK DOOR BUMPERS all except wagon	52-58	5.00

FILLER NECK GROMMETS

7A-9080-A	TANK GROMMET, Mercury Expo Wagon	48-56	15.00
8A-9080	GAS FILLER NECK RUBBER GROMMET, except wagon	1949	21.50
BA-9080-B	GAS FILLER NECK RUBBER GROMMET, passenger cars	52-56	10.00
0A-9080	GAS TANK NECK GROMMET, all except wagon	50-51	8.00
7C-9080	GAS TANK NECK GROMMET, pickups, USA Made	48-52	17.50
BAAA-9080	GAS TANK NECK GROMMET, pickups, USA Made	53-55	17.50
B6C-9080	GAS TANK NECK GROMMET,P/UP USA Made	56-56	15.00
7C-9136-A	FUEL TANK OUTLET TO FLOOR SEAL, pickups	48-52	3.00

FUEL TANK SENDING UNITS, FLOATS, GASKETS

01A-9275	GAS TANK SENDER w/ arm & float	36-55	37.50
01A-9275-12V	GAS TANK SENDER w/ arm & float, 12 volt	56-65	37.95
99A-9275	GAS TANK SENDING UNIT 6/12 V 36-56 Ford/Merc Pass, 36-60 Ford/Merc P/UPS, 55-56 T/Bird. Made By Stewart Warner	36-60	50.00
B6A-9275	GAS TANK SENDING UNIT 6/12V P/UPS, Made By Stewart Warner	56-60	50.00
B7A-9275-F	FUEL TANK SENDING UNIT, 12v Pass Car	57-59	54.95
68-9275-F	BRASS SENDING UNIT FLOAT	36-56	7.50
68-9276	GASKET for above	36-56	1.50

OIL PRESSURE SENDING UNIT

B6AZ-9278-B	OIL PRESSURE SENDER, small head ...	54-66	3.95
-------------	-------------------------------------	-------	------

FUEL LINES

7HC-9288	FLEXIBLE FUEL LINE, passenger & pickup	48-50	5.95
1A-9288	FLEXIBLE FUEL LINE, passenger & pickup to 56	51-58	6.95

TAAE-9288	FLEXIBLE FUEL LINE, V8 pickups	54-54	5.95
91A-9369	FUEL LINE, Fuel Pump to Carb copper w/ all fittings	33-53	3.50

GAS TANK TO FRAME PADS

8A-9052	GAS TANK TO FRAME PADS	49-51	12.00
21C-9299	GAS TANK TO FRAME PADS, pickup ..	48-52	3.00

FUEL PUMP REBUILD KITS

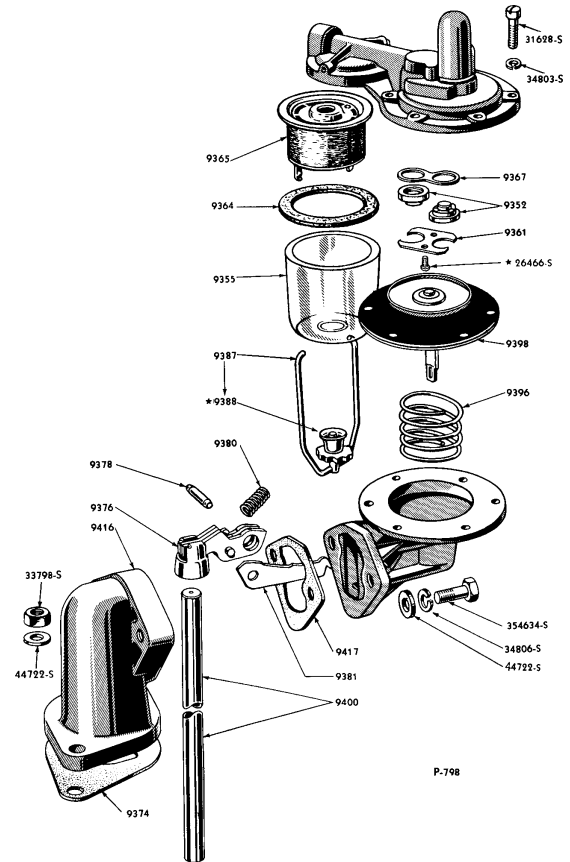
B1A-9349-B	FUEL PUMP REBUILD KIT for single & dual action pumps V-8	49-53	24.95
68-9398	FUEL PUMP DIAPHRAM, no gaskets included	33-50	5.95
68-9398-A	FUEL PUMP REPAIR	33-50	10.00

NEW FUEL PUMPS V-8 ENGINES

7RA-9350	FUEL PUMP, V8 sing act,Pass & P/Up ...	49-50	48.95
9544-9350	FUEL PUMP, V8, Dbl Act Pass/P/U	48-50	95.00
1BA-9350	FUEL PUMP, V8 sing act Pass/P/Up	51-53	47.50
9597-9350	FUEL PUMP V8, Dbl Act, Pass/P/U	51-53	86.95
4070-9350	FUEL PUMP, V8 single action, passenger & pickups	54-54	39.00
6523-9350	FUEL PUMP, 352/390 V8 single action, passenger & pickups	55-64	44.95
4206-9350	FUEL PUMP, V8 double action, passenger & pickups	55-58	54.95

NEW FUEL PUMPS 6 CYLINDER ENGINES

592-9350	FUEL PUMP, 6 CYL, PASS/PUP	47-51	44.95
	W/VAC CTRL DIST		
9787-9350	FUEL PUMP, SIN ACT	52-54	46.95
4208-9350	FUEL PUMP, SING ACT	55-61	39.95



**1949-53 FUEL PUMP
(8 CYLINDER 239 ENGINE)**
Group numbers only shown on illustration.
Refer to group for complete Part Number.

ELECTRIC FUEL PUMPS

EFP-9350-A	ELECTRIC FUEL PUMP, 4-6 PSI, 6 volt	32-55	49.50
EFP-9350-B	ELECTRIC FUEL PUMP, 4-6 PSI, 12 volt	32-60	48.75

FUEL PUMP PUSH RODS & BUSHINGS

EAB-9400	PUSH ROD	49-53	9.95
8BA-6025	FUEL PUMP PUSH ROD BUSHING, 239 V8	48-53	5.00

FUEL PUMP GASKETS

7RA-9417	GASKET, fuel pump to stand (included with new pump)	49-65	.75
----------	--	-------	-----

V8 MANIFOLD AREA:

8BA-6521	GASKET, intake manifold	49-53	6.95
COAE-6521-A	VALVE COVER GASKET, 272, 292, 312 V8	54-64	6.95
18-9433	GASKET SET, exhaust manifold, 8 pieces, V-8	32-53	4.50
ECK-9433	EXHAUST MANIFOLD GASKET SET 272, 292, 312 V8	54-62	10.95
EBU-9433	INTAKE MANIFOLD GASKET SET, 239 V8	54-54	6.95

EXHAUST MANIFOLD

EAB-9431-A	LEFT EXHAUST MANIFOLD ELIMINATES 48-53 CROSSOVER FOR DUALS 48-53 P/UP & 52-53 PASS	48-53	125.00
8BA-9430	EXHAUST MANIFOLD, V-8 NOS, RIGHT SIDE	49-53	85.00
B5A-9431	LEFT SIDE EXHAUST MANIFOLD, 292 V-8-NOS	55-64	95.00
C2TZ-9430-D	RIGHT SIDE EXHAUST MANIFOLD, 292 V-8-NOS	55-64	95.00

GASKETS, EXHAUST MANIFOLD TO EXHAUST PIPE:

C1SZ-9450	GASKET, 239, 272, 292, 312 V8	49-62	1.65
EBU-9450	GASKET, 239 V8 to Xover	54-54	.95
B5A-9450	GASKET, 272 V8 to Xover	55-56	2.00

V-8 CARBURETOR AREA

GASKETS

40-9447-B	GASKET, carb. to manifold, Ford/Holley/C-G	39-56	1.75
21A-9502	GASKET SET includes 40-9447-B, Ford/Holley/C-G	39-56	3.95

MISC CARBURETOR PARTS

78-9631	ACCELERATOR PUMP	38-53	1.50
78-9550	CARBURETOR FLOAT	38-55	10.00
78-9564	CARBURETOR NEEDLE & SEAT	39-53	4.00

CARBURETOR REBUILD KITS

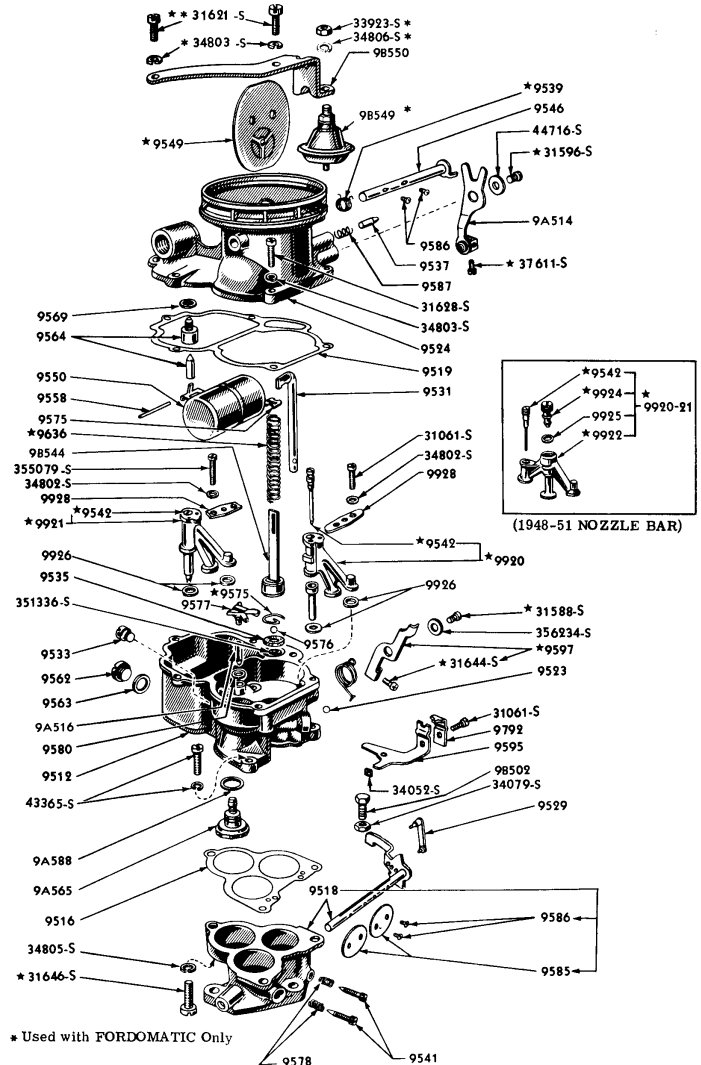
59A-9590	CARBURETOR REBUILD KIT including gaskets, Ford/Holley	38-53	19.95
B4A-9590	CARBURETOR REBUILD KIT, 2 BBL, 239, 256, 272 V8	54-56	19.95
B5A-9590	CARBURETOR REBUILD KIT, 4BBL, V-8	1955	37.95
B6A-9590	CARBURETOR REBUILD KIT, 4BBL, V-8	1956	26.50
7HA-9590	CARBURETOR REBUILD KIT includes gaskets, 6 cylinder	41-51	19.95
B2A-9590	CARB REBUILD KIT, 6 CYL 215/223 ...	52-62	26.95
8CM-9590	CARB REBUILD KIT, MERCURY	49-51	35.95
EMC-9590	CARB REBUILD KIT MERCURY	52-53	39.95

CARBURETOR NEW

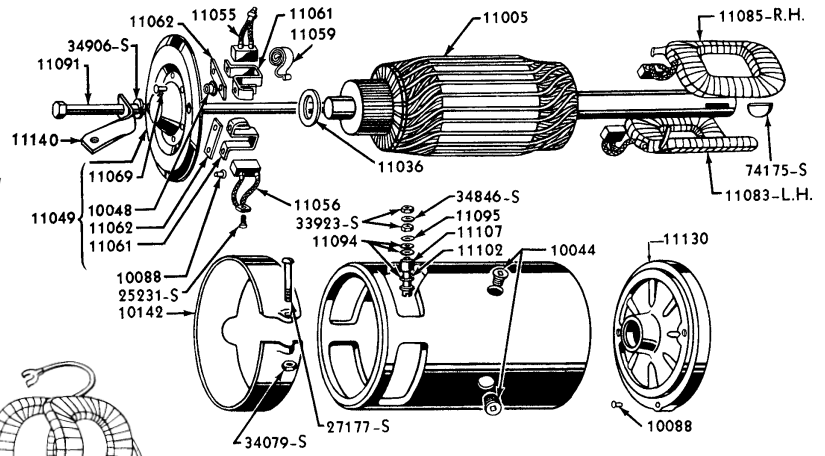
97-9510-N	"NEW" MODEL "97" STROMBERG CARB	32-53	449.00
-----------	--	-------	--------

REBUILT CARBURETORS:

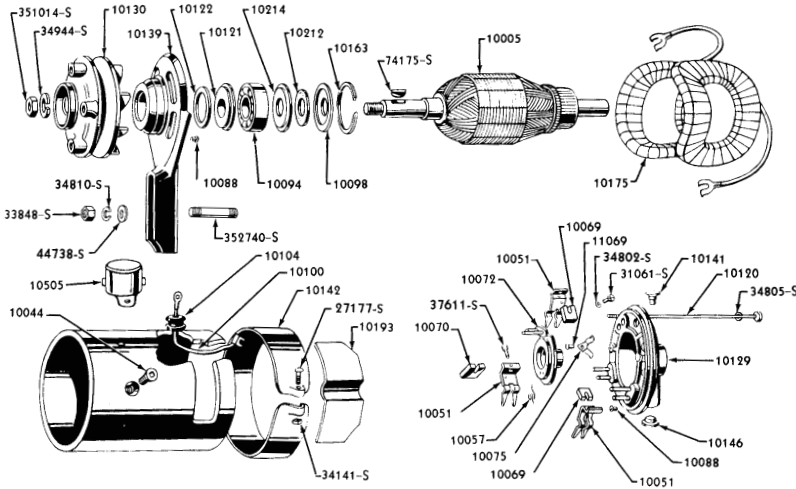
7RT-9510-REB	FORD/HOLLEY MODEL "94" PICKUP TRUCK V-8, CORE \$50.00	48-53	145.00
--------------	--	-------	--------



STARTER - LESS DRIVE



3 BRUSH TYPE GENERATOR (81A-1000A)



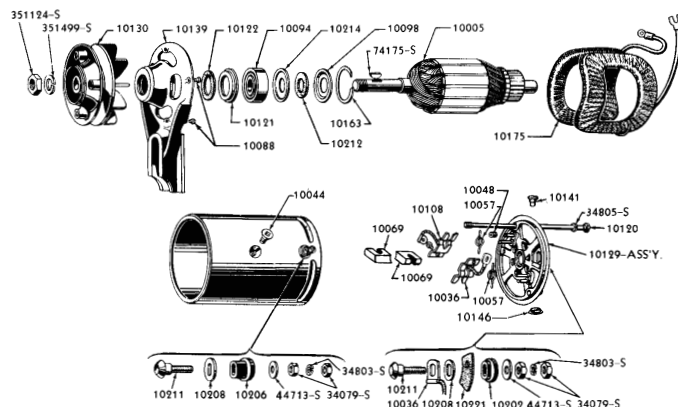
ACCELERATOR PEDALS

8A-9735	ACCELERATOR PEDAL, pass. cars	49-50	15.00
1A-9735	ACCELERATOR PEDAL, pass. cars	51-51	15.00
B4A-9735	ACCELERATOR PEDAL, pass. cars	52-54	15.00
MG-9735	ACCELERATOR PEDAL, pass. cars	49-56	15.00
TAAA-9735	ACCELERATOR PEDAL, F-100 p/ups ..	48-56	15.00
8A-9738-S	ACCELERATOR.PEDAL COVER	49-51	15.00

ACCELERATOR RODS & SPRINGS

8A-7012177-S	ACCELERATOR PEDAL ROD TO FLOOR SEAL, passenger	49-51	3.00
7EQ-9737	ACCELERATOR SPRING, pickups	48-52	3.00
BA-9738-S	ACCELERATOR ROD TO FLOOR SEAL, passenger	52-56	1.90

GENERATOR



2 BRUSH TYPE GENERATOR (81A-10000-D)

Basic numbers only shown on illustration.
Order by Part Numbers shown in list of parts.

01A-10043	GENERATOR BRUSH SET for 1939 with regulator & all	40-53	3.00
91A-10057	GENERATOR BRUSH SPRING	39-57	5.00

REBUILD SERVICE . . . WE HAVE REBUILT GENERATORS AND STARTERS IN STOCK- PLEASE INQUIRE. BOTH 6 & 12 VOLT AVAILABLE.

ALT-10000-6V	ALTERNATOR, 6 volt positive ground, model A -53 V-8	28-53	119.95
ALT-10000-12V	ALTERNATOR, 12 volt negative ground, model A -53	28-53	89.95
8BA-10000-REB	GENERATOR, REBUILT	49-53	169.95
8BA-10000-REB	GENERATOR,REBUILT, 12 volt	49-53	189.95
B6A-10002-REB	GENERATOR, REBUILT, 12 volt	56-64	169.95
VOLTAGE REGULATORS/GENERATOR CUTOUT			
51A-10505	VOLTAGE REGULATOR, 6 volt	39-55	35.95
C3TZ-10505	VOLTAGE REGULATOR, 12 volt	56-64	25.00
B-10606	VOLTAGE REDUCER, cuts 12V to 6 volts	28-55	13.50
A-10130	ALTERNATOR PULLEY, 5/8"	32-56	17.50

STARTER

18-11002-N6	STARTER NEW	32-53	169.95
	w/modern drive 6 volt no core required		
18-11002-N12	STARTER NEW	32-53	169.95
	12 volt w/modern drive no core required		
18-11057	STARTER BRUSH SET	32-61	3.95
51A-11140	STARTER SUPPORT BRACKET (rear of starter to oil pan) V-8 & 6 Cyl	39-53	3.95
1CM-11350	STARTER DRIVE 51-53 Auto	51-60	29.95
B-11350	STARTER DRIVE 49-51 226-6, 52-53 6 Cyl, 54-59 All	49-53	29.95
B-11350-M	STARTER DRIVE use with 12 or 6 volt starter	32-56	29.95

REBUILT STARTERS AVAILABLE — CALL BOTH 6 & 12 VOLT AVAILABLE.

18-11002-REB12	STARTER, REBUILT, 12 volt & 6 volt ..	32-53	169.95
----------------	---------------------------------------	-------	--------

STARTER SOLENOID

21A-11450	SOLENOID, bakelite - 6 & 8 cylinder	37-51	17.50
B5A-11450	STARTER SOLENOID, 6 volt, passenger & pickup	52-56	16.95
B6A-11450-A	STARTER SOLENOID, 12 volt	56-72	12.95

STARTER BUTTONS/IGNITION SWITCHES

6A-11500-C	STARTER BUTTON, chrome, pass. & pickup	37-51	6.00
2C-11500	STARTER BUTTON, pickup	52-55	13.50
B5A-11572	IGNITION SWITCH, less cylinder & key	52-59	29.95
BAAA-11572-A	STARTER SWITCH W/KEYS, Replacement Type, Pickup	53-55	20.00
B9A-11582	CYLINDER & KEY, passenger	52-59	12.95
0L-11572	IGN. SWITCH.	49-56	
	Replacement pickups	51-52	19.95
0L-11652	IGN SWITCH W/KEYS, P/UP	51-52	16.95

TEMPERATURE

8A-10884	TEMP SENDER IN CYL HEAD Single Prong	39-53	38.95
8A-10990	TEMP SENDER IN CYL HEAD Double Prong	39-53	38.95
B6C-10884	TEMP SENDER, 12V	56-56	39.95

SPARK PLUGS

7RA-12405	SPARK PLUG, 14 m.m. for V8	38-54	2.50
7RA-12405-C	CHAMPION H-10 SPARK PLUG, 14 MM, 239 V8	38-54	2.95
B7A-12405-B	MOTORCRAFT SPARK PLUG, 272, 292, 312 V8	55-64	2.50
B7A-12405-H	SPARK PLUG 223 6cyl 57 w/312-4bbl carb.	55-64	2.50

COIL

B-12000	COIL, for Model B, 1949-56 & for use with coil adapter kits	18.95	
B6A-12029	COIL, 12 volt	56-72	16.95
8BA-12029	COIL 6V W/BROWN TOP	49-55	17.95
B-12001-CB	COIL BRACKET, for 6V B-12000 coil	4.95	

As an alternative to the coil mounted on the distributor see the coil adaptor kits listed immediately below. We carry such a kit. If you buy a coil adaptor kit, also order the B-12000 coil listed above.

We also stock original rebuilt coils - INQUIRE 33-48 119.95

V8 DISTRIBUTOR

FAB-12106	DISTRIBUTOR CAP, V-8	49-56	4.95
FHA-12106	DISTRIBUTOR CAP, 6 cyl	49-60	6.95
B7A-12106	DISTRIBUTOR CAP, V-8	57-64	4.95

IGNITION POINTS & TUNE UP KITS

7RA-12171	POINT SET, V8 & 49-64 6 cylinder	49-53	4.50
FAB-12171	POINT SET, V8	54-56	3.95
7RA-12171-KIT	TUNE UP KIT, points, cond., rotor, distributor cap 49-64 6cyl, 49-53 V8	49-53	9.95
B8Q-12171-SET	TUNE UP KIT, points, cond., rotor all V8	9.95	
FAB-12171-SET	TUNE UP KIT, points, cond., rotor, distributor cap, V8	54-56	12.95
A9AZ-12113	WEATHER SEALS, for distributor cap ...	40-70	.50
0BA-12113	ROTOR SHAFT CLIP	49-59	4.50
7RA-12132	LOWER DISTRIBUTOR BUSHING	48-53	1.00

REBUILT DISTRIBUTORS:

7RA-12127	REBUILT DISTRIBUTOR, V8 *	49-53	119.95
0BA-12127	REBUILT DISTRIBUTOR, aluminum housing, passenger & pickup	50-53	119.95
B6A-12127-B	REBUILT DIST, 292 2 BBL	55-56	95.00

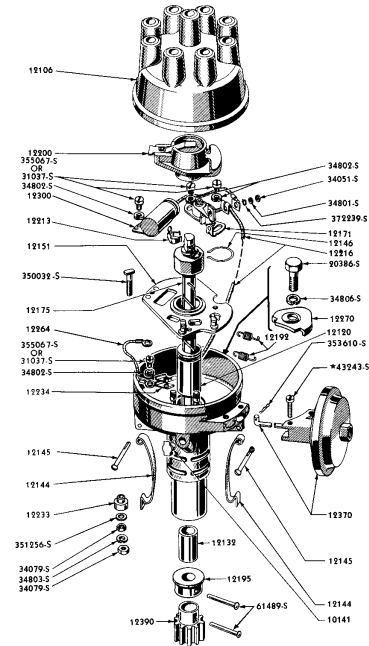
FAA-12127-C REBUILT DIST., 6 cyl., 215/223 passenger & pickup 52-54 95.00
Quoted price is an exchange price. Core charge (refundable upon return of a rebuildable unit) is \$30.00. Caps are not included, order separately if needed. Units are set on a strobe for correct timing. V8 owners 1942-48 please remove and retain the cap clips as our units are sent without them.

ROTORS:

FAA-12200	ROTOR as above also fits FAB-12106 cap; also 49-60 6 cylinder, 45-56 V8	45-60	2.50
-----------	---	-------	------

CONDENSERS:

7RA-12300	CONDENSER	48-60	2.95
-----------	-----------------	-------	------



**1949-53 DISTRIBUTOR
 (8 CYLINDER 239 ENGINE)
 Basic numbers only shown on illustration.
 Order by Part Numbers shown in list of parts.**

DISTRIBUTOR VACUUM DIAPHRAGM

7RA-12370	DISTRIBUTOR VACUUM DIAPHRAGM	48-52	21.95
FAB-12370	DISTRIBUTOR VACUUM DIAPHRAGM, 239, 272 V8	54-56	38.95
B5S-12370	DISTRIBUTOR VACUUM DIAPHRAGM, 292 V8	55-56	39.95

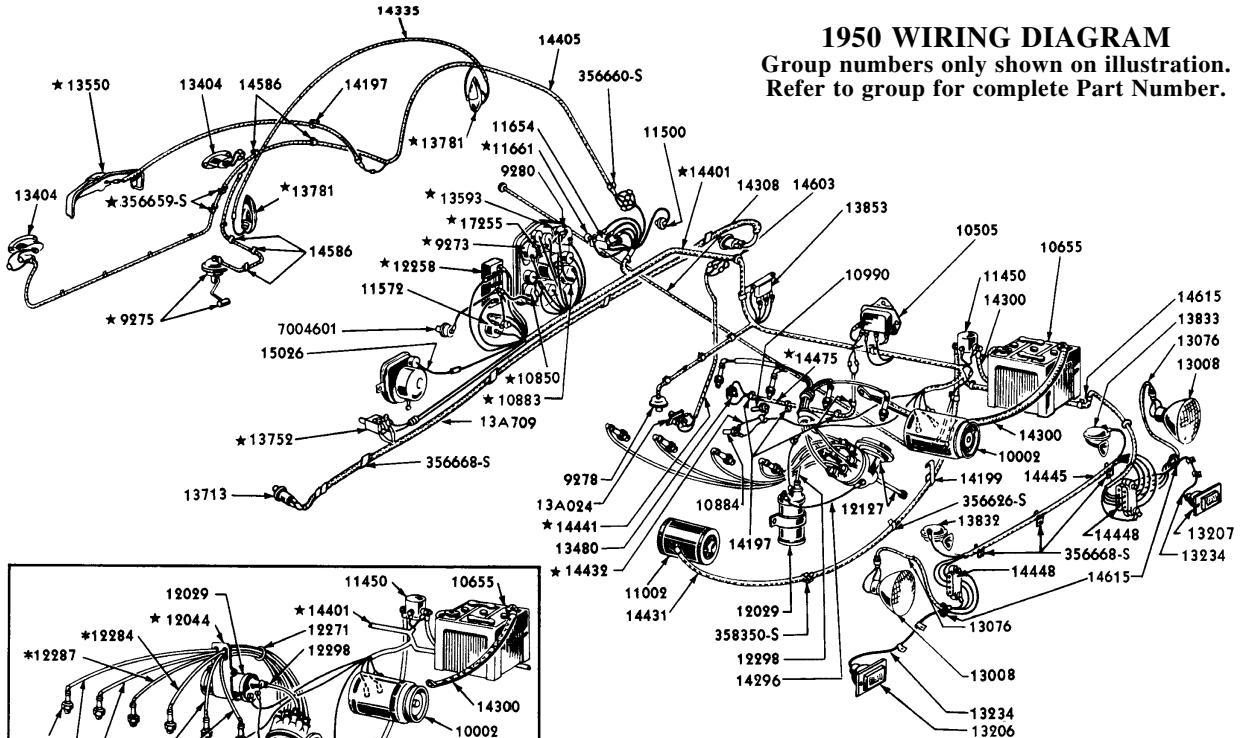
DISTRIBUTOR GEAR

7RA-12390	DISTRIBUTOR SHAFT END GEAR, 239 V8	49-53	16.95
-----------	--	-------	-------

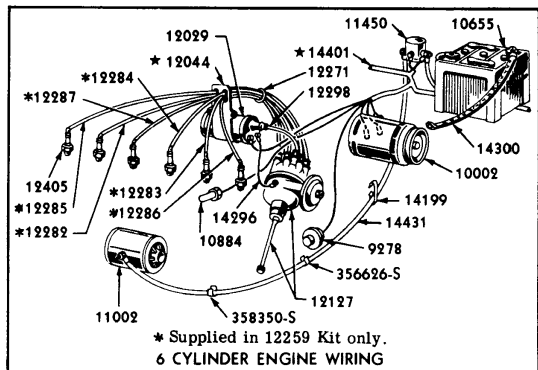
SPARK PLUG WIRES

Correct gauge wire, the real stuff just like Henry used. Properly color coded too! This is show quality wire at real world prices. You will be pleased!

8BA-12259	SPARK PLUG WIRE SET, V8	48-50	27.95
1A-12259W	SPARK PLUG WIRE SET, V8	51-53	42.95
B5A-12259	SPARK PLUG WIRE SET, 272, 292, 312, V8 passenger, pickup	54-64	45.00
7HA-12259	SPARK PLUG WIRE 6 CYL "H"	47-51	25.95
B2A-12259	SPARK PLUG WIRE 6 CYL 215ci passenger & pickup	52-53	29.95
B4A-12259	SPARK PLUG WIRE SET 6 CYL passenger & pickup	54-56	30.95



1950 WIRING DIAGRAM
Group numbers only shown on illustration.
Refer to group for complete Part Number.



8 CYLINDER WIRING DIAGRAM (6 CYL. SAME EXCEPT AS SHOWN ON INSERT)

BATTERY CABLES

We carry the Bob Drake cables, with Ford in script at battery connections. They are heavy duty #2 wire with black cotton braid, tar coated, as original. The ground cables are woven wire strands, again as original. We also carry modern replacement cables which are priced lower, price in parenthesis.

8A-14300	CABLE, battery to solenoid 49-51	(10.95)	16.95
8BA-14301	GROUND CABLE 49-51	(10.95)	12.00
8A-14431	CABLE, starter to solenoid 49-51	(10.95)	20.00

WIRING

All of our wiring is American made, has original Ford color coding, and all the dash harnesses and all the lighting harnesses have a wiring diagram included. Order plenty of the B-14487 wire connectors as all connections are made with them. If wiring the dash, don't forget grommet 48-700731, below, as they pass thru it. The dash harnesses below connect all dash gauges, gauge lights, starter buttons, ignition switches, etc.

8BA-14401-A	DASH WIRING, passenger, V8	1949	185.00
0BA-14401-A	DASH WIRING, passenger, V8	1950	189.95
1BA-14401-A	DASH WIRE, V-8 NO TURN SIG	51-51	199.95
1BA-14401-E	DASH WIRE HARNESS, V8 Turn Sig	51-51	242.00
FAA-14401D	DASH WIRE, V8 Pass	52-52	199.95
FAG-14401H	DASH WIRE, Pass V8	53-53	219.95
FDB-14401	DASH WIRE, V8, Pass, gen/oil lts	54-54	189.95
B5A-14401H	DASH WIRE, V8 Pass,	55-55	279.95
B6A-14401F	DASH WIRE, V8 Pass, w/40amp gen	56-56	359.95

DASH WIRE 48-59 PICKUP TRUCK

8RC-14401D	DASH WIRE V8 P/UP	48-50	175.00
8HC-14401C	DASH WIRE 6CYL P/UP	48-50	146.95
1RC-14401-A	DASH WIRING, pickup, V8	1951	165.00
1HC-14401A	DASH WIRE 6 CYL P/UP	51-51	187.95
2QC-14401A	DASH WIRE 6 CYL P/UP	52-52	154.95
2RC-14401-A	DASH WIRING, pickup, V8	1952	179.95

FAK-14401-A	DASH WIRING, pickup, V8	1953	169.95
FDE-14401-AB	DASH HARNESS, pickup, V8 with generator and oil lights	54-54	149.95
B5C-14401-F	DASH HARNESS, pickup, V8, with generator oil lights, PVC wire	55-55	194.95
B6C-14401-D/M	DASH HARNESS, pickup, V8, 12V-Grd, Generator/Oil lights, TS	56-56	237.50
B6C-14401-D	DASH HARNESS, pickup (same as B6C-14401-D/M but not with correct ends)	56-56	138.95

DASH WIRING GROMMET

8A-14603-B	MAIN WIRE LOOM GROM, Pass	49-50	3.00
1A-14603-B	MAIN WIRE LOOM GROM, Pass	51-59	3.00
1A-14404-B	PICK UP TRUCKS	48-56	3.00
8A-14608	MAIN WIRE LOOM GROM RETAIN ...	49-59	8.50
8A-14608	ABOVE RETAINER FOR P/UP	48-56	8.50

LIGHTING HARNESS:

This harness plugs into the headlight sockets, crosses over and contains the initial leads for horns, dimmer switches and horn button. 1932-39 also contain the bakelite terminal contact switch plate which connects to the dash wiring harness inside the light switch body. 1940-48 connects to the wiring circuits of the cowl dash harness.

8A-11653	LIGHTING HARNESS, passenger, V8	1949	30.95
B6C-11653A/M	HEADLIGHT HARNESS, w/molded ends & signal lights,	1956	34.95
0A-14445	HEADLIGHT CROSSOVER WIRES, passenger	50-50	24.95
1A-14445B	HEADLIGHT CROSSOVER WIRES, pass, with turn signal	51-51	26.95
FAA-14445-B	HEADLIGHT CROSS OVER, Pass No Horn, with Turn Signals	52-52	14.95
FAA-14445-F	HEADLIGHT CROSS OVER, Pass With Horn & Turn Signals	53-53	30.95
FDA-14445B	HEADLIGHT CROSS OVER, Pass With Horn & Turn Signals	54-54	25.95
B5A-14445B	HEADLIGHT CROSS OVER, Pass With Horn & Turn Signals	55-55	28.95
B6A-14445A	HEADLIGHT CROSS OVER, Pass With Horn & Turn Signals	56-56	39.95

LIGHTING HARNESS FOR 48-56 PICKUPS

7HC-11653	LIGHTING HARNESS, P/Up v8 & 6	48-50	16.95
1C-11653-A	LIGHTING HARNESS, pickup V8/6	51-52	15.95
B4C-11653AB	HEADLIGHT HARNESS, pickup, no horn & turn signal	53-55	16.95
B4C-11653A	HEADLIGHT HARNESS, pickup, with turn signal & horn	53-55	16.95
B6C-11653A	HEADLIGHT HARNESS, pickup with turn signals	56-56	16.95

BODY WIRE

THIS HARNESS IS ALSO CALLED "TAIL LIGHT WIRING HARNESS". This harness attaches to the left side of the frame rail and plugs into the main dash harness or headlight harness, depending upon the year. It also contains leads for the gas tank sending unit, stop light switch, left tail lamp and rear license plate lamp when applicable.

NOTE: To connect the right hand tail lamp you will also need the tail light cross over wire B-14424.

0A-14405	BODY WIRE, Pass	49-50	49.95
0BA-14405-B	BODY WIRE, CONV'T	49-50	85.95
1A-144505-A	BODY WIRE, Pass	51-51	59.95
1A-14405-D	BODY WIRE, Victoria Only	51-51	95.95
1A-14405H	BODY WIRE, STA WAG	51-51	99.95
FAB-14405B	BODY WIRE, Main/Custom Line 4 door, W/Turn Sig	52-53	86.95
FAB-14405S	BODY WIRE, CONV'T ONLY	52-53	86.95
FAB-14405E	BODY WIRE, Victoria, w/turn sig	52-54	97.95
FDA-14405G	BODY WIRE, Main/Custom 4 dr	54-54	89.95
B5A-14405J	BODY WIRE, Main/Custom 4Dr, w/ts	54-54	65.95
B5A-14405-BU	BODY WIRE, Pass, TS & Back Up Lts ...	55-55	72.95
B6A-14405D	BODY WIRE, Pass w/ts & Back Up Lt ...	56-56	82.95

BODY WIRE 48-59 PICKUPS

8C-14405	BODY WIRE, 1/2 ton pickup	48-52	37.95
FAS-14405-A	BODY WIRE, pickup	1953	24.95
B5C-14405	BODY WIRE, pickup, w/ turn signals	53-55	44.95
B6C-14405	BODY WIRE, pickup, W/Turn Sig	56-56	26.95
B6C-14405/M	BODY WIRE, pickup, W/Turn Sig	56-56	39.95
B7C-14405A	BODY WIRE, pickup, No/Turn Sig	57-59	29.95

MISCELLANEOUS WIRE

TAILIGHT CROSS OVER WIRE

7RC-14424	TAIL LIGHT CROSS OVER WIRE, pickup trucks	48-52	9.95
B5C-14424A	TAIL LIGHT CROSS OVER WIRE, pickups 45"	53-55	9.95

COIL WIRE

7RA-14302	COIL TO DIST WIRE, V8, 47-53 Pass 47-54 Pickup	47-54	3.95
-----------	--	-------	------

HORN WIRE

7RC-14308	HORN WIRE, PUP	48-51	3.95
8A-14308	HORN WIRE, Pass	49-50	5.95
1A-14308	HORN WIRE, Pass	51-54	4.95
FAB-14308A	HORN WIRE, P/UP	48-55	4.95
FAB-14308A/WP	HORN WIRE, PICKUPS w/rivit and washer 72"	48-55	6.95
2C-14308	HORN WIRE, PICKUP	52-52	3.95
68-14436-A	HORN MOTOR WIRE, 1936-37 pass, 1938-50 pickup	36-50	5.50
1A-14440	HORN TO RELAY WIRE passenger	51-51	3.00
1C-14440A	HORN TO RELAY WIRE, pickup	51-52	6.95
FAA-14440/MU	HORN TO RELAY WIRE, passenger	52-52	7.95
FAF-14440A	HORN TO RELAY WIRE, pickup	53-54	10.95
B5C-14440/MU	HORN TO RELAY WIRE, pickup	55-55	7.95
B6C-14436	HORN TO HORN WIRE P/UP	56-56	5.95

GENERATOR TO REGULATOR HARNESS

FDB-14305A	GENERATOR TO REGULATOR WIRE, V8, passenger	54-54	13.95
8C-14305	GENERATOR TO REGULATOR WIRES, 8 & 6 cyl P/Up 60 amp gen	48-51	68.95
FAA-14439A	STARTER SOLENOID TO JUNCTION BOX, pickups, 6 & 8 cylinder	53-54	18.95
FDE-14305A	GENERATOR TO REGULATOR WIRES, V8 pickups	54-54	9.95
B5A-14305S	GENERATOR TO REGULATOR WIRE, passenger	55-55	10.95
B6A-14305C/M	GENERATOR TO REGULATOR WIRE	56-56	9.95
B6A-14305D	GENERATOR TO REGULATOR WIRE	56-56	18.95

LICENSE LIGHT WIRE

0A-14415	LICENSE LIGHT WIRE	50-51	4.50
8A-14415	LICENSE LIGHT WIRE, pass cars	49-49	3.95

TEMPERATURE SENDER CROSS OVER WIRE

51A-14432	TEMP SENDER WIRE, passenger, pickup & 46-48 Mercury	40-50	3.95
7RA-14432	TEMP SENDER WIRE, passenger & pickup, V8	48-53	3.50
0A-14432B	TEMP SENDER WIRE, Pass v8	51-51	2.50

FUEL TANK SENDER WIRE

7RC-14406A	FUEL TANK SENDING UNIT FEEDER WIRE, pickup, 110"	48-52	6.95
8A-14406	FUEL TANK SENDING UNIT FEEDER WIRE, passenger cars	49-50	7.95
7RA-14406	FUEL TANK SENDING UNIT FEEDER WIRE, wagons	49-51	6.95
1A-14406/MU	FUEL TANK SENDING UNIT FEEDER WIRE, passenger	51-51	3.50

TAILIGHT SOCKET REPAIR

8A-13410B	TAILIGHT SOC REP, W/SOC, Pass	49-51	22.95
1A-13410-A	TAIL LIGHT SOCKET	51-54	5.00
FDH-13410A	TAIL LIGHT SOCKET REPAIR	55-55	8.95
FDR-13410A	TAIL LIGHT SOCKET REPAIR	56-56	9.95

DASH SOCKETS & CLOCK WIRE & SOCKET

8A-15026CS/MU	CLOCK LITE SOC, Pass	49-50	10.95
---------------	----------------------------	-------	-------

HEATER MOTOR WIRE

51A-18457	HEATER MOTOR WIRE	46-49	14.75
-----------	-------------------------	-------	-------

OVERDRIVE WIRES:

8M-6917	OD SWITCH WIRES, Ford/Mercury	49-50	3.95
8M-14396	OD FUSE WIRE	49-51	4.50
8M-14382	OD HARNESS	49-50	24.50
1A-14382A	OD WIRE, PASS	51-51	22.95
FAA-14382A	OD WIRE, Pass & Mercury	52-53	18.95
FAC-14382A	OD WIRE, P/Up & Pass	52-54	18.95
B6C-14382A/M	OD WIRE, P/UP 6& 8	56-56	23.95

WIRING SUPPLIES:

B-14486	WIRE TIPS for custom work (bullet shape), per package of 10	2.95
B-14487	WIRE CONNECTORS, double female sleeve, sold each35
59A-14487	CONNECTOR, double splice	32-53 2.00
81A-14487	CONNECTORS, large	32-53 1.25
B-14586	FRAME CLIP	32-53 .35
B-14585-H	FRAME CLIPS, extra height35
B-14597	HOLLOW FABRIC LOOM to cover wires, sold per foot60
B-14500	WIRE, 14 gauge, for custom wiring, has that old time look (not plastic). Choice of black or green, per foot price60

MASTER DISCONNECT SWITCH

A-14300-MS	MASTER DISCONNECT SWITCH	19.95
------------	--------------------------------	-------

HEADLAMP SOCKETS with pigtails - Refer to Headlamp section of catalog.

BATTERY CABLES Page 25

TURN SIGNAL WIRE

8C-14486B	TURN SIGNAL SWITCH WIRE, pickup	48-50	49.50
1A-14486A	TURN SIGNAL SWITCH WIRE, pass	51-51	15.95
FAC-14486B	TURN SIGNAL SWITCH WIRE, pass	52-54	19.95
FDV-14486A	TURN SIGNAL SWITCH WIRE, pickup	53-53	12.50
FDR-14486A	TURN SIGNAL SWITCH WIRE, pass	56-56	22.95
BE-14492/6V	COMPLETE TURN SIGNAL KIT w/key & instructions	28-56	139.95

HEADLAMP

HEADLAMP BULBS

01A-13007-6V	SEALED BEAM, 6V	40-55	8.95
CODF-13007	SEALED BEAM, 12 VOLT	56-56	7.75
01A-13007-FS6	Ford Script 6V Halogen Sealed Beam	40-55	60.00
01A-13007-FS12	Ford Script 12V Halogen Sealed Beam	40-56	60.00

HEADLAMP HARDWARE:

01A-13018-C	HEADLAMP BULB RETAINER RING, chrome	49-56	15.00
8A-13050-S	HEADLIGHT BUCKET MOUNTING KIT	1949	5.00
0A-13050-S	HEADLIGHT BUCKET MOUNTING KIT	1950	5.00
1A-13050-S	HEADLIGHT BUCKET MOUNTING KIT	1951	5.00

HEADLIGHT BUCKET TO FENDER GASKETS

11A-13044	HEADLAMP BUCKET TO FENDER GASKET, 41-53 car, 42-56 pickup	each	3.50
-----------	--	------	------

HEADLAMP RIMS & HARDWARE

B5C-13064	HEADLIGHT TRIM RINGS, stainless 49-51, passenger, 48-55 pickup	48-55	19.95
B6C-13064-A	HEADLAMP RIM, SS P/UP	56-56	25.00

HEADLAMP SOCKETS & WIRING:

01A-13076-V	SOCKET & PIGTAIL, each	40-72	3.00
51C-13076B	SOCKET & WIRING, 46-50 P/Up 1949 Passenger Cars	46-50	12.95
51C-13076B/G	SAME AS ABOVE W/GROMMET	46-50	14.95
0A-13076	HEADLIGHT BUCKET WIRES 50-51 Pass & 51 Pickup	50-51	12.00
0A-13076/G	HEADLIGHT SOCKETS & WIRE w/grommet, 50-51 Pass. & 51 P/up	50-51	13.95
2C-13076A/G	HEADLIGHT SOCKET WIRE WITH GROMMET, pass. & p/up	52-54	15.00
B5T-13076A	HEADLAMP SOCKET & WIRING, passenger & pickup	52-55	12.95
B5T-13076A/M	HEADLAMP SOCKET & WIRING, passenger & pickup	56-56	15.95
B5T-13706A/G	HEADLIGHT SOCKET & WIRING, passenger & pickup	52-55	12.95
B5T-13706A/P	HEADLIGHT SOCKET WIRE, passenger & pickup	55-56	10.95

DIMMER SWITCH:

A8AZ-13024	DIMMER SWITCH, mounts on floor also 48-56 pickups	49-56	12.95
------------	--	-------	-------

HEADLIGHT SWITCH AND LIGHT SWITCH BODY HOUSING:

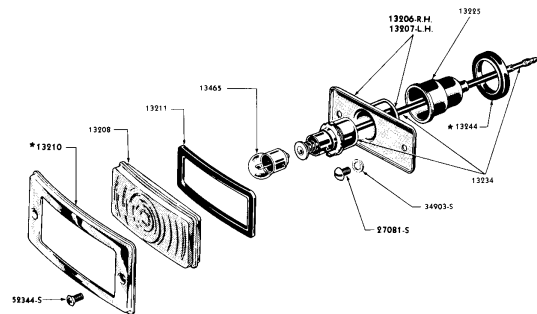
7RA-11654	HEADLIGHT SWITCH, pass 47-48, pickup 42-50	42-50	15.00
7C-11654-R	HEADLIGHT SWITCH with knob, pickups	48-50	30.00
FAA-11654	HEADLIGHT SWITCH	50-54	42.95
B7A-11654	HEADLIGHT SWITCH, passenger, pickup 56-57, 12V	56-57	29.95

DOME LAMP

BAAA-13786-C	DOME LIGHT HOUSING & LENS, chrome, pickup	53-56	45.00
BAAA-13786-P	DOME LIGHT HOUSING & LENS, painted cream	53-56	40.00
8M-13713	DOME LIGHT SWITCH ON DOOR POST, pickup	51-56	6.50
BAAA-13752	DOME LIGHT SWITCH	53-56	15.00
8A-13783-A	DOME LIGHT LENS	49-50	5.00
1A-13783-C	DOME LIGHT LENS (except wagon, convertible)	1951	5.00
8M-13783	DOME LIGHT LENS, pickup	53-56	5.95

TURN SIGNALS

U-13340-TS	TURN SIGNAL KIT (universal application w/instructions)	28-56	23.50
FDV-14486A	TURN SIGNAL WIRE PICKUP	53-53	12.50
A9AZ-13350-X	6 VOLT SIGNAL FLASHER	28-55	6.00
BE-1449/6V	TURN SIGNAL KIT	28-56	139.95



1950 PARKING LAMP

PARKING LIGHTS

8A-13208	PARKING LIGHT LENS, right side	1949	8.50
8A-13209	PARKING LIGHT LENS, left side	1949	8.50
0A-13200-B	PARKING LIGHT ASSY.COMPLETE	1950	75.00
.....			
w/signals-right side			
0A-13201-B	PARKING LIGHT ASSY.COMPLETE	1950	75.00
.....			
w/signals-left side			
0A-13208	PARKING LIGHT LENS, pass. (plastic)	50-50	5.00
1A-13208	PARKING LIGHT LENS, passenger	51-51	5.95
FAA-13208-B	PARKING LIGHT LENS, plastic, pass.	1952	16.00
FAF-13208-A	PARKING LIGHT LENS, plastic, pass.	1953	5.00
FAG-13208	PARKING LIGHT LENS, passenger	1954	8.50
B5A-13208-B	PARKING LIGHT LENS, passenger	1955	15.00
B6A-13208-A	PARKING LIGHT LENS, passenger	1956	14.00
B4AZ-13210-A	PARK LIGHT RIM, PASS CAR	54-54	20.00
0A-13215	PARKING LIGHT BODY, Right Side	1950	29.95
0A-13234B/R	PARKING LIGHT SOCKET REPAIR, with signal LTS	49-50	14.95
0A-13234B/L	PARKING LIGHT SOCKET REPAIR with signal LTS	49-50	14.95
0A-13236	PARKING LIGHT LENS DOOR, right or left	1950	29.95

PARKING LIGHT LENS - PICKUP 1948-56

7RC-13208	PARKING LIGHT LENS, pickups	48-50	6.00
7RC-13208-A	PARK LIGHT LENS AMBER, P/UP	48-50	6.00
IC-13208-A	PARKING LIGHT LENS, F-1 pickups	51-52	8.50
FAE-13208-A	PARKING LIGHT LENS, F-1 pickups	53-54	8.50
B5C-13208-A	PARKING LIGHT LENS, F-1 pickups	55-56	8.50

PARKING LIGHT LENS GASKETS

8A-13211	PARK LIGHT LENS GASKETS, passenger, pair	49-49	3.00
0A-13211	PARKING LIGHT LENS GASKETS, passenger, pair	50-50	3.00
1A-13211	PARKING LIGHT LENS GASKETS, passenger, pair	51-51	3.00
FAA-13211	PARK LIGHT LENS GASKET, Pr	52-52	3.50
FAF-13211-A	PARKING LT LENS GASK, Pr	53-53	3.50
FAG-13211-A	PARKING LT LENS GASK, Pr	54-54	3.50
B5A-13211-A	PARKING LT LENS GASK, Pr	55-55	4.50
B6A-13211-A	PARKING LT LENS GASKET, Pr	56-56	4.50

PARKING LIGHT LENS GASKETS 48-56 PICKUP

7RC-13211	PARKING LIGHT LENS GASKETS, pickup	48-50	3.00
1C-13211	PARKING LIGHT LENS GASKETS, pickup	51-52	3.00
FAE-13211-A	PARKING LIGHT LENS GASKETS, pickup	53-54	3.00
B5C-13211	PARKING LIGHT LENS GASKETS, pickup	55-56	3.00

PARKING LIGHT TO FENDER PADS

8A-13217-B	PARKING LIGHT ASSEMBLY TO FENDER PADS, passenger	49-49	9.00
0A-13244	PARKING LIGHT TO FENDER SEAL, passenger, pair	50-50	3.50
1A-13244	PARKING LIGHT TO FENDER SEAL, passenger, pair	51-51	3.50

PARKING LIGHT SOCKET RUBBER BOOT

6A-13225	PARKING LIGHT BOOT, Pair 42-51 Pass & 42-47 Pickup Trucks	42-50	10.00
----------	--	-------	-------

PARKING LIGHT ASSEMBLY, PASSENGER

1A-13200	PARKING LIGHT ASSEMBLY, complete, passenger cars	51-51	34.95
----------	---	-------	-------

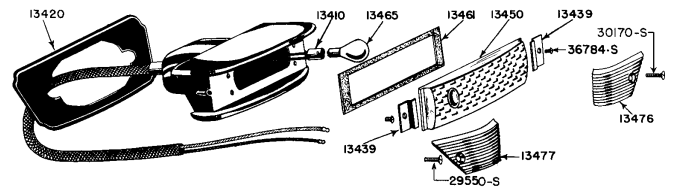
PARKING LAMP ASSEMBLIES, PICKUPS 48-56

7RC-13200	PARKING LAMP ASSEMBLY, pickups	48-50	29.95
1C-13200-A	PARKING LAMP ASSEMBLY, F-1 pickups	51-52	34.95
1C-13200-SS	PARKING LAMP ASSEMBLY, F-1 pickup, stainless	51-52	39.95
FAD-13200-A	PARKING LAMP ASSEMBLY, F-1 pickup, painted cream	53-54	34.95
FAD-13200-SS	PARKING LAMP ASSEMBLY, F-1 pickup, stainless	53-54	39.95
B5C-13200-A	PARKING LAMP ASSEMBLY, F-1 pickup	55-55	34.95
B5C-13200-SS	PARKING LAMP ASSEMBLY, F-1 pickup, stainless	55-55	39.95
B6C-13200-A	PARKING LAMP ASSEMBLY, F-1 pickup	56-56	34.95
B6C-13200-SS	PARKING LAMP ASSEMBLY, F-1 pickup, stainless	56-56	39.95

PARKING LIGHT SOCKETS:

0A-13234-A	PARKING LIGHT SOCKET	49-50	23.50
BAAA-13410	PARKING LIGHT SOCKET & WIRE ASSEMBLY, passenger, pickup 48-56 (pickups use this socket when you have signal lights or are adding signal lights)	48-56	4.50

TAIL LAMP



**1949-50 REAR LAMP
(EXCEPT STATION WAGON)**

LAMPS:

01C-13402-DR	TAIL LAMP, black, pickup & station wagon, fits right	46-52	25.00
01C-13403-DL	TAIL LAMP, black, pickup & station wagon, fits left	46-52	25.00

1953-1956 PICKUP TAIL LAMP ASSEMBLY - SHIELD STYLE

BAAA-13404-BR	TAIL LAMP ASSEMBLY, pickups, right side, Black	53-56	25.00
BAAA-13405-BL	TAIL LAMP ASSEMBLY, pickups, left side, Black	53-56	25.00
BAAA-13404-SSR	TAIL LAMP ASSEMBLY, pickups, right side, stainless steel	53-56	35.00
BAAA-13405-SSL	TAIL LAMP ASSEMBLY, pickups, left side, stainless steel	53-56	35.00

Note . . . for \$8.00 additional we will provide blue dot lens instead of red.

TAIL LAMP SOCKETS & REPAIR KITS

8A-13410-B	TAIL LAMP SOCKET, Pass & Merc	49-51	23.95
8M-13410-A	SOCKET REPAIR, Pass, No Socket	49-53	5.00
1A-13410	TAIL LAMP SOCKET W/wire	51-54	3.95
FDH-13410-A	TAIL LAMP SOCKET, Pass w/wire	55-55	8.50
FDR-13410A	TAIL LAMP SOCKET, Pass w/wire	56-56	8.50

TAIL LAMP BODY 49-50 PASS

8A-13434	TAIL LAMP BODY, Pass Cars	49-50	20.00
----------	---------------------------------	-------	-------

TAIL LAMP CROSS OVER WIRE

7RC-14424	TAIL LIGHT CROSSOVER WIRE, pickup trucks	48-52	10.95
B5C-14424A	TAIL LIGHT CROSSOVER WIRE, pickups 45"	53-55	8.95

TAIL LAMP GASKETS:

40-13460	GASKETS for red lens,	33-52	3.00
	1945-1952 Pickup Trucks		
8A-13461	GASKETS for red lens, pair	49-50	4.00
1A-13461	GASKETS for red lens pair	1951	3.00
FAA-13461-C	TAIL LIGHT LENS TO HOUSING GASKETS, passenger	52-52	5.00
FAE-13461-A	TAIL LIGHT LENS TO HOUSING GASKETS, passenger	53-54	4.50
B5A-13461-A	TAIL LIGHT LENS TO HOUSING GASKETS, passenger	55-55	4.50
B6A-13461-A	TAIL LIGHT LENS TO HOUSING GASKETS, passenger	56-56	4.50

TAIL LAMP LENS:

40-13450	TAIL LAMP LENS RED 33-36 Pass & 45-52 P/Up	33-52	6.00
8A-13450	TAIL LAMP LENS RED	49-50	8.95
1A-13450	TAIL LAMP LENS RED	1951	12.00
FAA-13450-C	TAIL LIGHT LENS, pass. cars, plastic	52-52	10.00
FDA-13450	TAIL LIGHT LENS, pass., red, no chrome	53-54	10.00
B5A-13450-A	TAIL LIGHT LENS, passenger	55-55	12.00
B6A-13450-A	TAIL LIGHT LENS, passenger, red	56-56	22.50
B7A-13450-C	TAIL LAMP LENS, passenger	57-57	10.00
B8A-13450-A	TAIL LAMP LENS, passenger	58-58	12.00
BAAA-13450	TAIL LAMP LENS RED, pickup	53-56	6.00

REAR LICENSE PLATE BRACKETS

A-13406-B	REAR LICENSE PLATE BRACKET, black 1932-56 pickup	28-56	15.00
A-13406-SS	REAR LICENSE PLATE BRACKET, stainless steel 1932-56 pickup	28-56	23.00

TAIL LAMP LENS - BLUE DOTS

40-13450-BD	TAIL LAMP LENS W/BLUE DOT	33-52	12.00
	33-36 Pass & 45-52 Pickup		
8A-13450-BD	TAIL LAMP LENS W/BLUE DOT	49-50	14.00

TAIL LAMP LENS 53-56 PICKUP SHIELDED LAMPS

BAAA-13450	TAIL LAMP LENS RED	53-56	6.00
BAAA-13450-BD	TAIL LAMP LENS W/BLUE DOT,	53-56	12.00
BAAA-13450-S	TAIL LAMP LENS W/FORD SCRIPT, ...	53-56	15.00
BAAA-13450-BDS	TAIL LAMP LENS W/FORD SCRIPT & BLUE DOT	53-56	18.50
BAAA-13450-BL	TAIL LAMP LENS w/FORD letters	53-56	11.00
BD-13450-G	BLUE DOTS, glass with chrome rims	28-53	7.00

TAIL LIGHT RIMS:

8A-13448	TAIL LAMP BEZEL, chrome plated	49-50	40.00
FAA-13448-A	TAIL LIGHT RIM, passenger	52-52	35.00
1A-13448-A	TAIL LIGHT RIM, chrome	51-51	25.00

TAIL LAMP BULBS:

11A-13465	BULB, double contact, mfg #1154	37-54	1.00
78-13466	BULB, parking lamp, 37-40 car & 38-41 truck, also used for instrument panel 41-48 and radio 46-48	37-40	2.00
78-13466-12V	SAME AS ABOVE 12 VOLT	37-56	1.00

HALOGEN TAIL LIGHT BULBS

Install in existing socket.

B-13466-Q12	HALOGEN TAIL LIGHT BULB, single filament, 12V	28-55	10.00
11A-13466-Q12	HALOGEN TAIL LIGHT BULB, double filament, offset pins, 12V	28-56	12.50
B-13466-Q6	HALOGEN TAIL LIGHT BULB, single filament, 6 volt	28-55	12.50
11A-13466-Q12	HALOGEN TAIL LIGHT, double filament, offset pins, 6 volts	28-55	15.00

TAIL LAMP BRACKETS:

91C-13471	TAIL LAMP BRACKET for pickup with no rear bumper	38-56	9.95
91C-13471-SS	TAIL LAMP BRACKET for pickup, no bumper, stainless steel	38-56	15.00
81Y-13471	TAIL LAMP BRACKET for pickup with rear bumper	38-56	9.95
81Y-13470-SS	TAIL LAMP BRACKET, stainless steel, pickup with bumper, RH	38-56	15.00
81Y-13471-SS	TAIL LAMP BRACKET, stainless steel, pickup with bumper, LH	38-56	15.00

For 81Y-13471 specify if drivers side (left) or passenger side (right).

B-13467	WEATHERSHIELD, mounts behind bracket on trucks & wagon	29-56	6.00
B-13467-SS	WEATHERSHIELD, tail lamp wire shield, stainless steel, pickup & wagon	29-56	8.00

STOP LAMP SWITCH:

11A-13480	STOP LAMP SWITCH for all with hydraulic brakes, mounts on m/cylinder ..	39-66	6.50
-----------	--	-------	------

LICENSE PLATE WHITE LENS, on lower deck lid:

40-13445	TAIL LAMP LICENSE PLATE LIGHT LENS, 33-36 Pass, 45-52 P/Up	33-52	5.00
----------	---	-------	------

TAIL LAMP TO FENDER RUBBER PADS:

8A-13420-A	PADS, pair	49-50	6.00
1A-13420-A	PADS, pair	1951	3.00
FAA-13420	TAIL LIGHT TO BODY PADS, passenger, pair	52-54	8.00
B6A-13420-A	TAIL LIGHT TO BODY PADS, passenger, pair	55-56	8.00
1A-13453	HOUSING TO BODY GASKET		4.00

TAIL LIGHT SCREWS:

1A-13499-S	TAIL LAMP RIM SCREWS	1951	4.95
------------	----------------------------	------	------

HORN

HORN RELAY

FAA-13853	HORN RELAY, 6 volt.....	37-56	7.95
2Q-13853	HORN RELAY, 12 volt	56-56	7.95
0A-3672	HORN BUTTON Pass	49-56	3.00

HOOD & RADIATOR LACING KITS

COWL LACING KITS:

21C-16740	1942-56 pickup trucks	15.00
8A-16740-B	49-51 passenger	8.95
BA-16740-B	1952-54 passenger, Ford & Mercury	8.95
B5A-16740	1955-56 passenger	8.95
8M-16740	49-51 Mercury	8.95

All kits include installation hardware.

FIREWALL COVERS

New ABS plastic firewall covers with insulation attached. Molded to fit the original firewall with holes precut and the correct patterns.

BA-7001670	FIREWALL INSULATOR, Pass	52-54	159.00
BA-7001670-HD	HEAT DUCT COVER, Pass	52-54	69.00
B5A-7001670	FIREWALL INSULATOR, Pass	55-56	159.00
B5A-7001670-HD	HEAT DUCT COVER, Pass	55-56	69.00
8A-700770-HP	HEATER PLENIUM	49-51	69.00

FIREWALL INSULATOR 1948-1956 PICKUP TRUCKS

BAAA-8101670	FIREWALL INSULATOR, pickup	53-55	149.00
B6C-8101670	FIREWALL INSULATOR, pickup	56-56	139.95

48-7001670-CLIP	SPECIAL CLIP TO FASTEN FIREWALL COVER TO FIREWALL, each	ALL	3.00
-----------------	--	-----	------

FIREWALL/FLOOR INSULATION

Jute padding material with a space age relective foil bonded to one side. Used in kick panels, rumble seat panels, in doors, under carpeting etc. 48"x72"x 5/16 thick.

HR-700770	HOT ROD INSULATION	ALL	25.00
-----------	--------------------------	-----	-------

FIREWALL GROMMETS

8A-14603-B	MAIN WIRING LOOM GROMMET	49-50	3.00
1A-14603-B	MAIN WIRING LOOM GROMMET	1951	3.00
8A-14608	MAIN WIRING GROMMET RETAINER	49-59	8.50

SEE PAGE 22 FOR CHOKE & THROTTLE RODS THRU FIREWALL & THRU INSTRUMENT PANEL

FENDERS

PICKUP TRUCK FRONT FENDERS:

7C-16005-FG	RIGHT FRONT FENDER, p/up, Fiberglass	48-50	275.00
7C-16006-FG	LEFT FRONT FENDER, p/up, Fiberglass	48-50	275.00
7C-16432-FG	LOWER FRONT FENDER APRON, right, fiberglass	48-50	85.00
7C-16433-FG	LOWER FRONT FENDER APRON, left, fiberglass	48-50	85.00
1C-16005-FG	RIGHT FRONT FENDER, p/up,		

	Fiberglass	51-52	275.00
1C-16006-FG	LEFT FRONT FENDER, p/up, Fiberglass	51-52	275.00
1C-16432-FG	LOWER FRONT FENDER APRON, right, fiberglass	51-52	75.00
1C-16433-FG	LOWER FRONT FENDER APRON, left, fiberglass	51-52	75.00
B6C-16005-FG	RIGHT FRONT FENDER, p/up,	53-56	275.00
	Fiberglass		
B6C-16006-FG	LEFT FRONT FENDER, p/up,	53-56	275.00
	Fiberglass		
7C-16040/1	FRONT FENDER EXT, PR.	48-52	14.95

NOTE: Front fenders can only be shipped by truck, they're too large for UPS. Save money by arranging to pickup at one of the swap meets we attend. (Swap meet schedule listed on inside of front cover.)

PICKUP TRUCK REAR FENDERS:

7C-16312-FG	RIGHT REAR FENDER, p/up, F glass	48-50	260.00
7C-16313-FG	LEFT REAR FENDER, p/up, F glass	48-50	260.00
8C-16312-FG	RIGHT REAR FENDER, p/up, F glass	51-52	260.00
8C-16313-FG	LEFT REAR FENDER, p/up, F glass	51-52	260.00
B6C-16312-FG	RIGHT REAR "WIDE", p/up, F glass	53-72	260.00
B6C-16313-FG	LEFT REAR "WIDE", p/up, F glass	53-72	260.00
B7C-16312-FG	RIGHT REAR "STEEL"	53-72	395.00
B7C-16313-FG	LEFT REAR REAR "STEEL"	53-72	395.00

FENDER MOUNTING HARDWARE

10265	REAR FENDER TO BED BOLT	31-66	1.15
	Steel W/Large Flat Head for Pickups		

FENDER BRACES:

BAAA-16340-A	REAR FENDER BRACK, pickup	53-72	10.00
--------------	---------------------------------	-------	-------

INNER FENDER PANELS & APRONS

91A-16084-S	FRONT FENDER INNER APRON BOLT SET 39-40 Pass, 40-41 P/Up, 48-52 P/Up	39-52	12.50
-------------	---	-------	-------

FENDER HARDWARE

91A-16084-S	FRONT INNER SPLASH APRON TO FENDER BOLTS, pickups, set of 8	48-52	12.50
-------------	--	-------	-------

FRONT FENDER TO COWL SEAL

7C-16068	FRONT FENDER TO COWL SEAL, pickup truck	48-52	12.50
BAAA-16126	BACK OF FRONT FENDER TO COWL SEAL, pickups	53-56	12.50
7RC-16153-A	TOP OF FRONT FENDER BRACE TO FENDER SUPPORT, rubber, pickup truck, pair	48-52	4.00
IC-16028	FRONT FENDER PLATE OPENING FLANGE GASKET, pickup truck, pair	51-52	3.00
8A-16254-S	FRONT SPLASH APRON TO RADIATOR SEAL, passenger cars	49-51	3.00

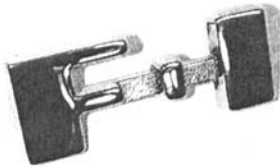
FENDER SKIRTS:

8A-2797415-70	FENDER SKIRT WITH RIBS, steel, pair ..	49-51	139.95
---------------	--	-------	--------

FENDER MOLDINGS:

8A-7020938-B	FRONT DOOR MOLDING, right, coupe, tudor, conv't	49-50	55.95
8A-7020939-B	FRONT DOOR MOLDING, left, coupe, tudor, conv't	49-50	55.95
8A-7320938-B	FRONT DOOR MOLDING, right, fordor ..	49-50	49.95
8A-7320939-B	FRONT DOOR MOLDING, left, fordor	49-50	49.95
8A-7029038-B	REAR QUARTER MOLDING, right, coupe, tudor, conv't	49-50	75.00
8A-7029039-B	REAR QUARTER MOLDING, left, coupe, tudor, conv't	49-50	75.00
8A-7329038-B	REAR QUARTER MOLDING, right, fordor	49-50	75.00
8A-7329039-B	REAR QUARTER MOLDING, left, 4 dr	49-50	75.00
U-29000-CLAK	UNIVERSAL MOLDING CLIP SET SET OF 10	ALL	10.00

**8C-16605
F-1 EMBLEM**



**91A-16606
FORD SCRIPT**



**B5C-16721-PR
SIDE OF HOOD EMBLEMS**



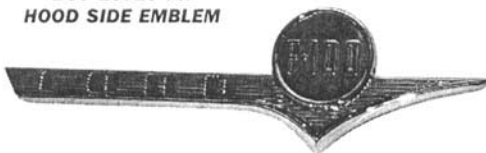
**B5C-8125622-PR
EMBLEMS**



**BAAA-16721-PR
EMBLEMS**



**B6C-16720-PR
HOOD SIDE EMBLEM**



FENDER SHIELDS:

1A-18268	FRONT FENDER GRAVEL SHIELDS, stainless steel	49-51	129.95
----------	---	-------	--------

FENDER EMBLEMS:

IBA-16237-PR	FRONT FENDER EMBLEMS, "V8" pair, passenger cars	51-53	40.00
BM-16237-PR	V8 EMBLEM FOR FENDER SIDE, except 56 Fairlane	54-56	39.95

RUNNING BOARD

21C-16450-FG	RUNNING BRDS, fiberglass, P/UP, pair	42-47	475.00
7C-16450-PR	RUNNING BOARDS, pair, pickup trucks	48-52	550.00
BAAA-16450/1	RUNNING BOARDS, steel, P/UP, pair	53-56	550.00

RUNNING BOARD HARDWARE & SEALS

7C-16455-S	RUNNING BOARD BOLT KIT, 26 bolts, nuts, lock washers, does both boards, pickups ..	48-52	10.00
BAAA-16455-S	RUNNING BOARD BOLT KITS, pickups	53-56	10.00
BAAA-16460-S	BACK OF FRONT FENDER TO RUNNING BOARDS RUBBER SPACER with special bolt, nuts & lock washer, pickups	53-56	3.00
B6C-16540	BOTTOM OF CAB TO RUNNING BOARD SEAL, pickup only, pair	56-56	12.00
BAAA-16540-A	BOTTOM OF CAB TO RUNNING BOARD SEAL, pickup, pair	53-56	18.50
BAAA-8110112-PR	CAB TO RUNBOARD SEAL RETAINER .	53-55	17.50

HOOD

HOOD BUMPER SETS:

Sets include rubber bumpers, hood corners, pads & rivets, just like originally used, as per the year of the car involved.

7C-16761-S	48-52 pickup	8.50
8A-16761-S	1949 passenger	7.00
0A-16761-S	50-51 passenger	9.95
BA-16761	52-54 passenger	16.50
B5A-16761	55-56 passenger	16.50
BAAA-16761-S	53-56 pickup trucks	8.50

HOOD LATCH:

B5C-16700	HOOD LATCH, pickup	53-56	30.00
8A-16916-C	HOOD PULL CABLE, w/chrome pull knob cut to length	49-51	30.00

HOOD EMBLEMS:

BAAA-16637-A	HOOD FRONT EMBLEM, pickup	53-56	55.00
BAAA-16638-S	HOOD EMBLEM PAD FOR ABOVE EMBLEM, pickup BY DRAKE	53-56	7.00
8C-16605	SIDE OF CAB EMBLEM, "F-1", pickup, each	48-50	27.50
2C-16608-A	RADIATOR V8 EMBLEM FOR HOOD, pickup, each	52-52	38.50
0A-16637-B	HOOD EMBLEM	50-51	39.95
0A-16644-B	HOOD EMBLEM BEZEL	50-51	41.00
B5A-16644	HOOD EMB BEZEL FAIRLANE	55-56	40.00
0A-16675	HOOD EMBLEM PAD	50-54	.50
B6C-16720/1	HOOD SIDE EMBLEMS, pickup, Ford F-100, pair BY DRAKE	1956	120.00
BAAA-16721	HOOD SIDE EMBLEMS, pickup, Ford F-100, pair BY DRAKE	53-54	45.00
B5C-16721	HOOD SIDE EMBLEMS, Ford F-100, pair BY DRAKE	1955	65.00
B5C-8120712-PR	DOOR EMBLEM, pair, custom cab	55-56	25.00
8A-16606-S	FORD LETTERS ON HOOD, pass	49-49	47.50

HOOD ORNAMENTS:

0A-16850	HOOD ORNAMENT, passenger, also fits 49	1950	89.95
1A-16850	HOOD ORNAMENT, passenger	1951	99.95

HOOD CENTER STRIPS:

8A-16736	HOOD CENTER STRIP	49-50	35.00
----------	-------------------------	-------	-------

HOOD BOLTS & SPRINGS:

8A-16789	HOOD HINGE SPRING, passenger	49-49	15.00
0A-16789	HOOD HINGE SPRING, passenger	50-50	15.00
8A-16798-S	HOOD TO HOOD HINGE BRACKET SHOULDER BOLT, need 4, passenger 49-53, pickups 53-55	49-55	3.25
B6C-16798-S	HOOD HINGE BOLT ONLY, pickups	56-56	2.00
BF-16812-A	HOOD HINGE SPRING, F-100-F-900	53-56	13.00
BAAA-16921-A	HOOD LATCH RETURN SPRING, pickup	53-54	1.00

HOOD MOLDINGS:

7C-16720	HOOD SIDE MOLDINGS, stainless, pickup, set of 4, no clips, pickup	48-50	89.95
1C-16732-B	HOOD SIDE ENDS/POINTS FOR HOOD SIDE, stainless, each, pickup, Drake	51-51	50.00

SPEEDOMETER

A9A-17260	SPEEDOMETER CABLE & CASE, passenger cars	49-56	12.95
FAA-17262-A	SPEEDOMETER CABLE, (interior) passenger cars	53-56	9.50
B5A-17322-A	SPEEDOMETER DRIVE GEAR, 20 teeth, 51-56 passenger x/station wagon, 53-56 1/2 ton pickup	51-56	29.50
B7C-17260-A	SPEEDOMETER CABLE & CASING, F-1-F-6, pickup 48-52 F-1	48-62	16.95
A9A-17260	SPEEDOMETER CABLE & CASE, pickups	53-62	14.94
B1A-17260	SPEEDOMETER CASE & CABLE 80" pass cars w/fordomatic trans	51-51	28.50

SPEEDOMETER CABLE GROMMETS

8A-17265-S	SPEEDOMETER CABLE GROMMET, passenger	49-51	2.00
7C-17265	SPEEDOMETER HOUSING GROMMET (where it goes through floor boards) pickups	48-50	3.00
7C-17265	SPEEDOMETER HOUSING GROMMET & CHOKE & THROTTLE FIREWALL GROMMET, pickups	51-52	3.00

WINDSHIELD WIPER

WIPER ARMS

8A-17526	WIPER ARM, passenger, right, PASS	49-51	15.00
8A-17527	WIPER ARM, passenger, left, PASS	49-51	15.00
B2AZ-17526-A	WIPER ARM, passenger,	52-56	25.00
WT-17529-SS	WIPER ARM, universal, wrist type	32-56	12.50

1948-56 PICKUP WIPER ARMS

7C-17527	WIPER ARM, pickup trucks	48-52	15.00
B6C-17527	WIPER ARM, pickup trucks	53-55	15.00
B6C-17527	WIPER ARM, left side, pickup	56-60	15.00
B6C-17526	WIPER ARM, right side, pickup	56-60	15.00

WIPER BLADES

8A-17528	WIPER BLADE, passenger 11",	49-51	12.50
7C-17528	WIPER BLADE, pickup 10", P/UP	48-52	15.00
B6C-17528	WIPER BLADE, pickup 12", P/UP	53-60	14.00

WIPER PADS & HOSES

40-18920	WIPER RUBBER HOSE, (pre-cut 6 foot package)		2.95
----------	--	--	------

ELECTRIC WIPER MOTOR CONVERSION KITS:

Designed to bolt in place of the stock vacuum wiper motors. The motor is a heavy duty 12 volt 2 speed unit with automatic park. Kits come with all mounting brackets, dash mount switch, fuse and instructions.

WIPER CONVERSION KITS

7C-17508-HD6	ELECTRIC WIPER CONVERSION KIT, 1948-50 PICKUP, 6 volt	48-50	145.00
1C-17508-HD6	ELECTRIC WIPER CONVERSION KIT, 1951-52 PICKUP, 6 volt	51-52	135.00
7C-17508-HD12	Pickups	48-50	145.00
1C-17508-HD12	Pickups	51-52	139.95
BAAA-17508	WIPER MOTOR KIT, pickups, 12V	53-55	145.00
B6C-17508-RR	WIPER MOPTOR KIT P/UP, 12V	56-56	150.00

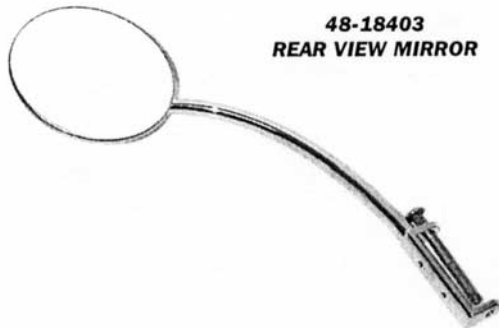
WIPER KNOBS:

1C-17513-A	WIPER ON/OFF KNOB, black, pickup ...	48-52	4.50
2C-17513-A	WIPER ON OFF KNOB, BLK VAC	51-52	5.00
BAAA-17513	WIPER ON/OFF KNOB, pickup	53-56	4.50

WIPER GROMMETS:

7C-17541	WIPER MOTOR SHAFT TO ROOF SEAL, closed cars 48-52 P/UP	37-52	1.50
8A-17545-S	WIPER HOSE GROMMET, passenger	49-51	2.00
BAAA-17541-A	WIPER PIVOT TO COWL P/UP	53-60	1.50
BAAA-17545	WIPER HOSE GROMMET, pickup	53-55	1.00
BAAA-17515-A	WIPERPIVOT SHAFT BEZEL Chrome ...	53-60	8.00
7C-17515	WIPER PIVOT SHAFT BEZEL Chrome	48-52	12.50

MIRRORS



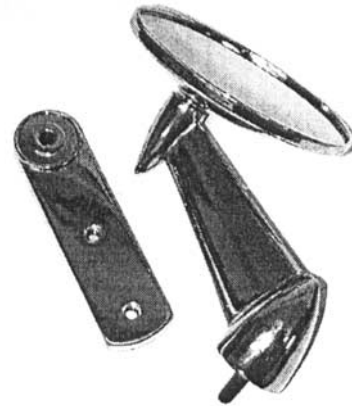
MIRRORS INSIDE THE CAR:

11A-17682-SS	INSIDE MIRROR, SS 41-48 PASS	41-52	45.00
	ALSO 48-52 PICKUP TRUCK		
BAAA-17682-SS	INSIDE MIRROR, pickup truck	53-55	45.00
B6C-176690	INSIDE MIRROR, pickup truck	56-56	45.00

MIRRORS OUTSIDE THE CAR:

68-17741	HINGE MIRROR, foreign made	35-40	39.00
	Pickup Trucks	48-52	39.00
8A-18402-A	OUTSIDE DOOR MOUNT MIRROR passenger	49-51	64.95
8A-17724-R	OUTSIDE REARVIEW MIRROR MOUNTING GASKET, passenger	49-51	3.50
B5AZ-17696-1H	OUTSIDE MIRROR, fender or door mount, one hole mount	55-65	39.95
B5AZ-17696-2H	OUTSIDE MIRROR, 2 hole mt, pass.	54-65	39.95
B5AZ-17724-R	OUTSIDE MIRROR MOUNTING GASKET for above two mirrors	54-65	3.50

BAAA-17696-S REAR VIEW MIRROR



1953-1956 PICKUP OUTSIDE MIRRORS

BAAA-17696	OUTSIDE MIRROR, script, pickup trucks	53-55	55.00
BAAA-17696-S	OUTSIDE MIRROR, non Ford script, pickups	53-55	60.00
B6C-17696-S	OUTSIDE MIRROR, pickups	56-56	50.00
BAAA-17699-S	OUTSIDE MIRROR GROMMET	53-56	2.00
B5A-17724-R	OUTSIDE MIRROR PAD	54-65	4.50

PEEP MIRRORS:

78-18414-FL	ORIGINAL STYLE PEEP MIRRORS, with Ford script by Drake	32-53	45.00
78-18414-FR	ORIGINAL STYLE PEEP MIRRORS, with Ford script by Drake	32-53	45.00
HR-18414-L	PEEP MIRROR, left side, stainless, 3" head Curved Arm	32-53	30.00
HR-18414-R	PEEP MIRROR, right side, stainless, 3" head, Curved Arm	32-53	30.00
B-18414-L	PEEP MIRROR, left side, stainless, 4" head, Curved Arm	32-53	32.00
B-18414-R	PEEP MIRROR, right side, stainless, 4" head Curved Arm	32-53	32.00
A-17741-UL	PEEP MIRROR, straight arm, stainless, 4" head	28-53	32.00
A-17741-UR	PEEP MIRROR, straight arm, stainless, 4" head	28-53	32.00

BUMPERS

We carry a full line of USA made triple chrome plated bumpers in stock. We also carry in stock stainless steel bumpers for certain years.

BUMPERS 1948-1956 PICKUPS

7C-17750-S	STEEL BUMPER, with brackets, front, pickups Plain Steel	* 48-52	125.00
7C-17750-SS	BUMPER, stainless steel, with brackets, front, pickups	* 48-52	280.00

** Note above two bumpers are correct for 48-50 but will also fit 51-52*

TAAA-17750-B	FRONT BUMPER WITH BRACKETS, pickups Plain Steel	53-56	110.00
TAAA-17750-SS	FRONT BUMPER, polished stainless steel, with brackets	53-56	280.00
BAAA-17787-AK	REAR BUMPER BRACKETS, pickup truck, set	48-56	120.00
BBAA-17906-A	REAR BUMPER, pickup	48-56	110.00
BBAA-17906-SS	REAR BUMPER, pickup stainless steel, with bolts	48-56	275.00
BAAA-17787-AK	REAR BUMPER BRACKETS complete (four)	48-56	99.95

FRONT BUMPER ANTI-RATTLERS

8A-17749	BUMPER ARM ANTI-RATTLER KIT, passenger	1949	3.50
----------	--	------	------

**Free Shipping for
Orders Over \$400.00**

BUMPER BOLTS & HARDWARE:

BB-17758	REAR BUMPER BOLT, pickup	48-56	3.00
B9A-17758-A	BUMPER BOLT, PASS	49-59	3.00

REAR GRAVEL DEFLECTOR & SEAL:

8A-17832-A	REAR STONE DEFLECTOR SEAL, passenger	1949	12.00
0A-17832	REAR STONE DEFLECTOR SEAL	50-51	9.00
BA-17832-B	REAR STONE DEFLECTOR SEAL	52-54	17.50
B5A-17832	REAR STONE DEFLECTOR SEAL	55-56	6.50

SHOCK ABSORBER

Call for pricing on quality Rebuilt 1932-48 original shocks.

AW3-18124	FRONT SHOCKS, passenger cars	49-56	49.95
AW1-18124	REAR SHOCK, passenger	49-51	35.00
AW10-18124	REAR SHOCK, passenger	52-56	29.95

PICKUP TRUCK SHOCK ABSORBERS:

AW1-18124	FRONT SHOCK, F-1&2	48-52	29.95
AW5-18124	REAR SHOCK, F-1&2	48-52	31.50
AW5-18124	FRONT & REAR SHOCK, F-1&2	53-54	31.50
AW5-18124	FRONT SHOCK, F-1	55-55	31.50
AW1-18123	REAR SHOCK, F-1	55-55	29.95
AW5-18124	FRONT & REAR SHOCK, F-2	55-55	31.50
AW3-18124	FRONT SHOCK, F-1&2	56-56	29.95
AW64-18124	REAR SHOCK, F-1&2	56-56	31.50

WHEEL TRIM RINGS

6A-18303-14	BEAUTY RINGS, smooth, stainless steel, 14"	40-56	25.00
6A-18303-15	BEAUTY RINGS, smooth, stainless steel, 15"	32-53	25.00
6A-18303-16	BEAUTY RINGS, smooth, stainless steel, 16"	32-53	25.00
01A-18303-15	BEAUTY RINGS, ribbed, stainless steel, 15"	32-53	25.00
01A-18303-16	BEAUTY RINGS, ribbed, stainless steel, 16"	32-53	25.00
8A-18303-15	BEAUTY RINGS, Convex Smooth	32-53	25.00

ANTENNA

6A-18813	ANTENNA, cowl mount, 46-48 Pass	46-52	57.50
	48-52 Pickup Trucks,		
8A-18813	ANTENNA, cowl mount	49-51	57.50
B5A-18813-C	ANTENNA ASSEMBLY, Ford passenger & Mercury 52-54	52-56	65.00
BAAA-18813-A	ANTENNA ASSEMBLY, top of cowl, pickups, as original, 49-51 Merc	53-55	65.00
B6C-18813-B	ANTENNA ASS'Y, top of cowl, p/up	56-56	62.50
6A-18818-S	ANTENNA BASE/FENDER GASK	47-51	3.50
6A-18815-S	ANTENNA MAST ASSEMBLY	48-66	18.50

HEATER PARTS

B5A-18495	HEATER WATER CONTROL VALVE	52-56	95.00
BAAA-18518-R	HEATER & DEFROSTER CABLES WITH KNOBS, recirculating heater, p/u .	53-55	30.00
BAAA-18518-F	SAME AS ABOVE EXCEPT FOR FRESH AIR HEATER	53-55	65.00
B6C-18518-R	RECIRCULATING HTR P/UP	56-56	30.00
B6C-18518-F	FRESH AIR HTR, P/UP	56-56	65.00
BAA-18597-RH	HEATER BRACKET FOR DASH CONTROL CABLES, recirculatin, p/up ..	53-56	35.00
BAAA-18597-FH	SAME AS ABOVE EXCEPT FOR FRESH AIR HEATER, pickup	53-56	35.00
BPA-18572	HEATER HOSE CLAMP	ALL	.75
8C-18595	HEATER TUBE TO FIREWALL	48-56	1.00
	SEAL, Need 2 per truck		
BAAA-18565-S	RECIRCULATING HTR SEAL KIT	53-56	6.00
	Pickups		

HEATER SWITCHES

8C-18578-A	HEATER SWITCH, pickup	48-50	15.00
1C-18578	HEATER SWITCH, pickup	51-55	40.00
1A-18578	HEATER SWITCH, pickup	1956	17.50
1C-18578	HEATER SWITCH, passenger 2 speed	1949	25.00
1A-18578	HEATER SWITCH, passenger	1951	17.50
0A-18623-B	HEATER SWITCH & SOCKET ASSEMBLY, nos	50-51	25.00

PATENT & BODY PLATES

PATENT PLATES w/rivets:

7C-14001	1948-52, pickups	6.00
----------	------------------------	------

WINDSHIELD

WINDSHIELD SEALS 1948-1956 PICKUPS

7C-8103116-A	WINDSHIELD RUBBER, no chrome, pickup	48-52	40.00
1C-8103110	WINDSHIELD RUBBER, with groove for chrome, pickup	51-52	40.00
BAAA-8103110-A	WINDSHIELD RUBBER, pickup	53-55	40.00
B6C-8103110-A	WINDSHIELD RUBBER, no chrome, pickup	56-56	40.00
B6C-8103110-B	WINDSHIELD RUBBER, with groove for chrome, pickups	56-56	40.00
52388-SSGM	GARNISH MOLDING SCREWS, stainless steel, set of 6	53-56	1.50

WINDSHIELD SEALS 1949-1956 PASSENGER CARS

8A-7003110-D	WINDSHIELD SEAL, no chrome, closed cars	49-51	80.00
8A-7003110-E	WINDSHIELD SEAL, single groove for chrome	49-51	80.00
0A-7003110	WINDSHIELD SEAL, double groove for chrome	49-51	85.00
8A-7603110-B	WINDSHIELD SEAL, single groove for chrome, station wagon	49-51	80.00
0A-7603110	WINDSHIELD SEAL, double groove for chrome, convertible 51, Victoria	50-51	85.00
BA-7603110-D	WINDSHIELD RUBBER SEAL, Ford: 60B Crestline Victoria, 60F Crestline Skyliner, 76B Crestline Conv't. Mercury: 60B 6 passenger Monterey Coupe, 60E 6 passenger Sport Coupe, 60F 6 passenger Sun Valley Cpe, 76B Monterey Conv't	52-54	65.00
BA-7003110-E	WINDSHIELD RUBBER SEAL, without groove for stainless molding except across bottom. Ford: 59A Mainline "Ranch Wagon", 70A Mainline 2 door Sedan, 72C Mainline Bus Cpe, 73A Mainline 4 door sedan, 78 Sedan Delivery Courier	52-54	65.00
BA-7003110-F	WINDSHIELD RUBBER SEAL with groove for stainless molding 70B Customline 2 door Sedan, 72B Customline Club Spe, 73B Customline 4 door Sedan, 73C Crestline 4 door Sedan, 79B Customline Wagon, Country Sedan, 79C Crestline Station Wagon, 59B Customline Ranch Wagon (1954) Mercury: 70B 2 door sed, 73B 4 door sed, 73C Monterey 4 door sed, 79B 8 pass. wagon, 79D 6 passenger wagon (52)	52-54	65.00

B5A-7003110-G	WINDSHIELD RUBBER SEAL WITH BELT MOLDING	60.00
Ford:	59A, Mainline 2 Door Ranch Wagon	55-55
	64A, Fairlane Crown Victoria, "Solid Top"	55-55
	64B, Fairlane Crown Victoria, "Transparent Top"	55-55
	70A, Mainline 2 Door Sedan	55-55
	70D, Mainline Business 2 Door Sedan	55-55
	78, Sedan Delivery	55-55
	64, All 2 Door Hardtop Victorias	56-56
	78, Sedan Delivery (Before 6-1-56)	56-56
Mercury:	64A, 6 Pass Montclair Coupe	55-55
	64B, 6 Pass Montclair Sun Valley Coupe	55-55
	All Body Types Except Convertible	56-56
B5A-7003110-H	WINDSHIELD RUBBER SEAL WITH BELT MOLDING with groove for stainless steel molding	60.00
Ford:	59B, Customline Ranch Wagon	55-56
	60, Fairlane Victoria	55-55
	70B, Customline 2 Door Sedan	55-56
	70C, Fairlane Club Sedan	55-56
	73B, Customline 4 Door Sedan	55-56
	73C, Fairlane Town Sedan	55-56
	79, All 4 Door Station Wagons	55-56
	57, Fairlane 4 Door Hardtop, "Victoria" ..	56-56
	59A, Mainline 2 Door Ranch Wagon	56-56
	70A, Mainline 2 Door Sedan	56-56
	70D, Mainline Business 2 Door Sedan	56-56
	73A, Mainline 4 Door Sedan	56-56
	78, Sedan Delivery after 6-1-56	56-56
Mercury:	All Body Types, except Montclair & Monterey Convertible	55-55
B5A-7003110-J	WINDSHIELD RUBBER SEAL without belt molding, no groove for stainless	60.00
Ford:	59A, Mainline 2 Door Ranch Wagon	55-56
	70A, Mainline 2 Door Sedan	55-56
	70D, Mainline 2 Door Business Sedan	55-56
	73A, Mainline 4 Door Sedan	55-56
	78, Sedan Delivery	55-56
B5A-7603110-B	WINDSHIELD RUBBER SEAL with Belt Molding	60.00
Ford:	76B, Fairlane Convertible	55-56
Mercury:	76B, 6 pass Monterey Convertible	55-55
	76B, Montclair Convertible	56-56

TOP

WINDSHIELD HEADER SEALS

11A-7603475	WINDSHIELD HEADER SEAL, to top bow on convertibles	41-50	6.00
0A-7603476	HEADER BOW SEAL, convertibles	49-51	32.50
BA-7651330-B	HEADER BOW SEAL ON TOP	52-54	11.00
BA-7651338-B	HEADER BOW SEAL, top of WS	52-54	11.00
B5A-7651338-A	HEADER BOW SEAL	55-56	8.50

RUMBLE SEAT AND TRUNK

RUBBER SEALS FOR RUMBLE LID & TRUNK LID:

8A-7043720	TRUNK SEAL Ford	49-51	18.00
8M-7043720	TRUNK SEAL, MERCURY	49-51	15.00
BA-7043720	TRUNK LID SEAL	52-59	15.00
8A-7043734	TRUNK RIM SEAL	49-51	10.00

TRUNK HINGES:

8A-7042700-PR	TRUNK LID HINGES, pair	1949	110.00
0A-7042700-PR	TRUNK HINGES, (pair)	1950	110.00
8A-7042707-A	TRUNK HINGE TO BODY PADS (pair)	1949	5.00
0A-7042707-B	TRUNK HINGE TO BODY PADS (pair)	1950	5.00

DECK & RUMBLE LID HANDLES:

0A-7043539	DECK HANDLE (no lock cyl/Linkage)....	1950	75.00
0A-7043500	TRUNK LID HANDLE BASE	50-50	10.00
1A-7043530-B	DECK LID HANDLE chrome	51-51	175.00

TRUNK HANDLE CYLINDER & KEYS

8A-7042505-A	TRUNK HANDLE CYLINDER/KEYS	1949	16.00
0A-7043505-A	TRUNK HANDLE CYLINDER/KEYS	1950	15.00
BA-7043505-A	TRUNK HANDLE CYLINDER/KEYS ...	52-59	9.00

RUMBLE SEAT OR TRUNK LID HANDLE RUBBER PADS AND BUMPERS:

8A-7043531-S	DECK BASE HAND PADS	49-49	6.00
0A-7043531	DECK LID HANDLE & LOCK TO DECK LID PAD, 2 pieces	50-50	5.50
1A-7043531	TRUNK LID HANDLE BASE TO TRUNK LID PAD	51-51	11.00
BA-7043531-D	DECK LID EMBLEM & BEZEL TO DECK LID PAD	52-52	7.00
BF-7043531-A	DECK LID HANDLE TO DECK LID PAD	53-53	7.00
BM-7043531-A	DECK LID HANDLE TO DECK LID PAD	54-54	7.00
B5A-7043531	DECK LID EMBLEM & BEZEL TO DECK LID PAD, Mainline/Customline 2 & 4 Doors	55-55	7.00
B6A-7004541-S	TRUNK EMBLEM PAD	56-56	1.00

RUMBLE/DECK LID BUMPERS

BD-16754-A	DECK LID BUMPERS	52-54	6.50
------------	------------------------	-------	------

DECK LID EMBLEMS:

0A-7042514-B	DECK LID EMBLEM	50-54	40.00
1A-7043500	DECK LID EMBLEM, Bezel	50-51	38.50
0A-16675	TRUNK/HOOD EMB PAD	50-51	.50
B5A-7042514-A	TRUNK EMBLEM, plastic, Fairlane	55-55	19.95
B5A-7042522-A	DECK LID EMBLEM BEZEL, chrome with upper gold bars	55-55	39.95
BF-7043522-A	DECK LID EMBLEM BEZEL rear	53-54	45.00
B6A-7043500-C	FAIRLANE TRUNK EMBLEM "V"	56-56	75.00
BF-7042528-BZ8	"OVER-DRIVE" EMBLEM, 1953-55 pass., 1953-56 pickup	53-56	29.50
BF-7042528-AZ8	EMBLEM "FORDOMATIC" SCRIPT, 53-55 passenger, 53-56 pickup	53-56	20.00
B5A-43516-70A	REAR TRUNK LOCK HOUSING COVER, FITS FULL SIZE & T-BIRD, EX VIC, CONV, CLUB, TN SED	55-56	14.95

COWL AREA

7C-8102330-A	COWL VENT GASKET, pickups	48-52	8.00
BAAA-8102330-A	COWL VENT GASKET, pickups	53-56	8.00

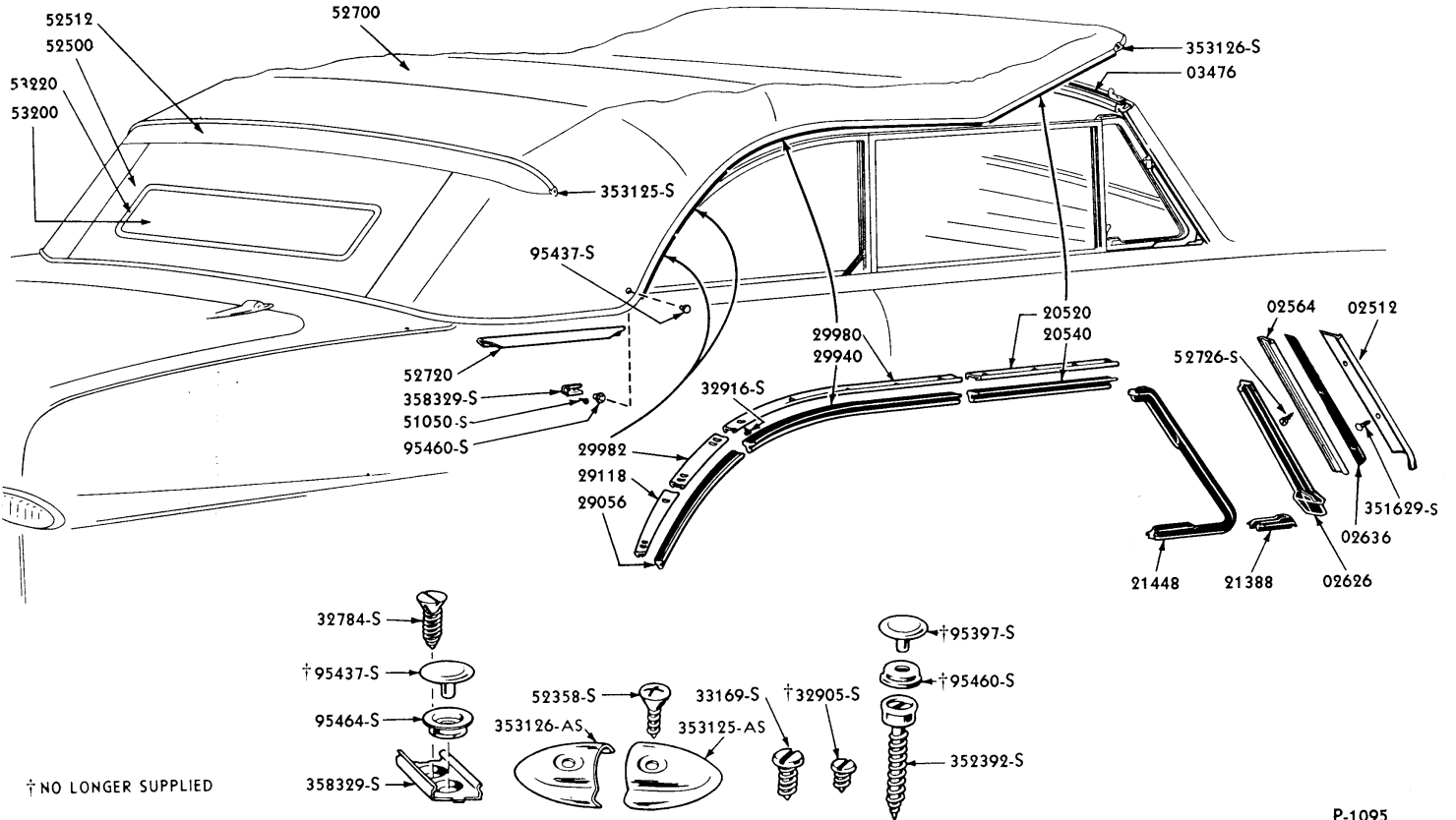
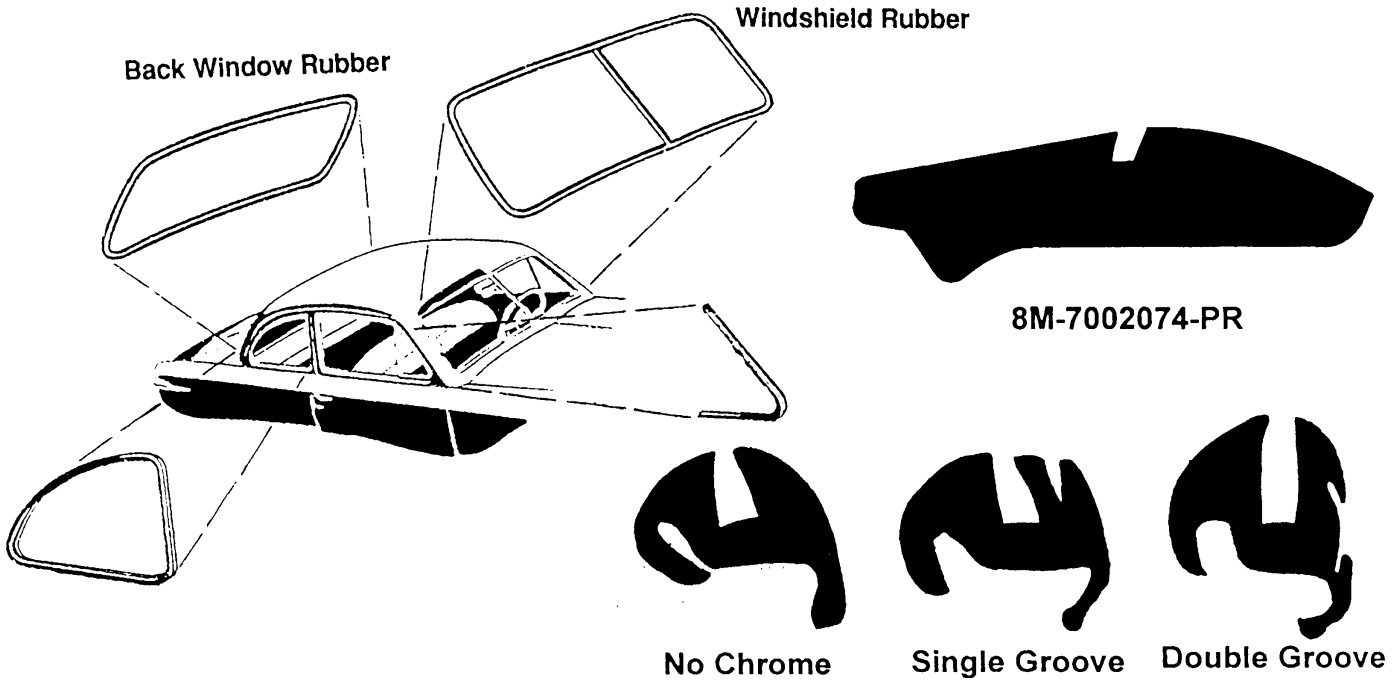
GLOVE BOXES



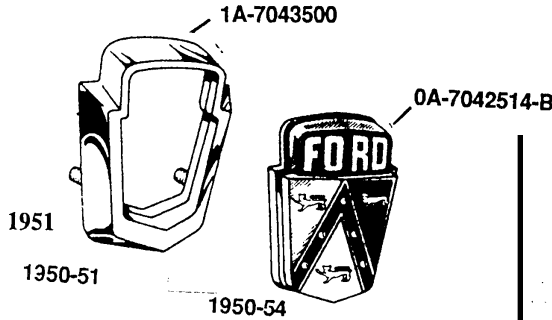
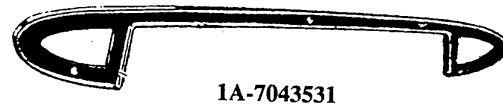
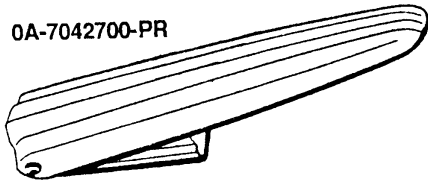
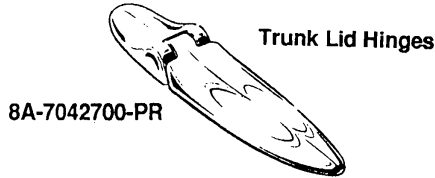
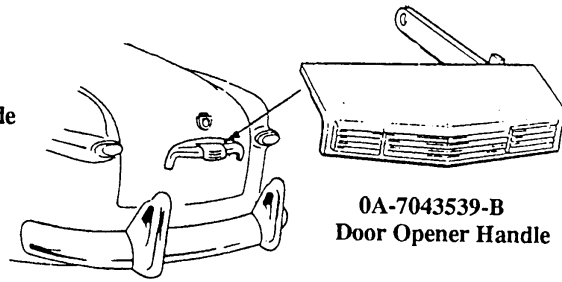
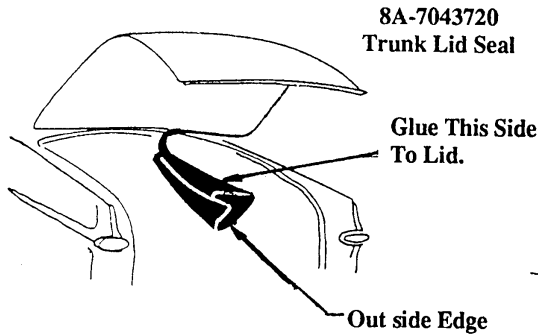
7C-43000	1948-52 pickup		
BAAA-43000	1953-55 pickup		
B6C-43000	1956 pickup	each	15.00

Hardware is included where applicable.

8A-7006010	GLOVE BOX LINER ASSEMBLY, all including 51 wagon	49-50	18.00
1A-7006010	GLOVE BOX LINER ASSEMBLY, all except wagon	51-51	18.00
BA-7006010-A	GLOVE BOX LINER	52-53	18.00
BM-7006010-A	GLOVE BOX LINER	54-54	18.00
B5A-7006010-A	GLOVE BOX LINER	55-55	18.00
B6A-7006010-A	GLOVE BOX LINER	56-56	18.00



1949-50 CONVERTABLE TOP WEATHERSTRIPS AND RELATED PARTS



FLOOR MATS FOR PICKUP TRUCKS 1948-56:

7C-8113000	FRONT FLOOR MAT, pickup	48-52	85.00
BAAA-8113000	FRONT FLOOR MAT, pickup	53-56	81.95

PICKUP TRUCK SEALS

7C-8112125-S	TRANSMISSION COVER TO FLOOR SEAL, pickup, cork & rubber, 3 pieces	48-52	17.50
7C-8112130	TOP OF TRANSMISSION TO COVER SEAL, floor shift only, pickup	48-52	4.50
7C-8112177	ACCELERATOR PEDAL ROD TO FLOOR SEALS	48-52	20.00

STEERING COLUMN & CLUTCH & BRAKE ARM TO FLOOR SEALS: PICKUP TRUCKS

7C-3513	CLUTCH, BRAKE & STEERING COLUMN TO FLOOR SEALS, for column shift (under metal plate at floor), pickups	48-52	3.00
7C-3513-A	CLUTCH, BRAKE & STEERING COLUMN TO FLOOR SEALS, floor shift, p/up	48-52	3.00
7C-3515	STEERING COLUMN TO FLOOR MAT SEAL, column shift, top of mat p/up	48-52	5.00
7C-3515-A	STEERING COLUMN TO FLOOR MAT SEAL, floor shift with hold on clip p/up ...	48-52	5.00
8A-3513	STEERING POST TO FLOOR SEAL, std. transmission, under metal plate	49-51	5.00
1A-3513	STEERING POST TO FLOOR SEAL, fordomatic transmission, under metal plate ..	1951	5.00
BAAA-3513	STEER COLUMN, CLUTCH/BRAKE ARMS TO FLOOR SEAL, column shift under metal plate, pickup trucks	53-56	4.00
BAAA-3513-A	STEER COLUMN, BRAKE/CLUTCH ARMS TO FLOOR SEAL, floor shift	53-56	4.00
7C-3679-S	STEERING COLUMN BRACKET TO DASH, anti-squeak	48-52	1.00

TRANSMISSION FLOOR COVERS:

7C-7012108	TRANS FLOOR COVER, p/up fiberglass	48-52	60.00
7C-7012108-S	TRANS FLOOR COVER, p/up steel	48-52	114.95

GLOVE BOX BUMPERS

8A-7006066	GLOVE BOX DOOR BUMPERS, passenger, pair	49-49	3.10
0A-7006066	GLOVE BOX DOOR BUMPERS, passenger, pair	50-50	3.00
1A-7006066	GLOVE BOX DOOR BUMPERS, passenger & 48-52 pickup trucks	51-51	2.00
0A-16378	GLOVE BOX DOOR BUMPERS, passenger & 53-60 pickup trucks	52-59	2.00
8A-6006122	GLOVE BOX CHECK ARM GROMMET	49-56	3.00

GLOVE BOX SPRINGS

8C-8106068	GLOVE BOX DOOR SPRING, pickup truck	48-52	5.00
------------	---	-------	------

FLOORBOARD AREA

ALL MATS ARE USA MADE

FLOOR/TRUNK MATS FOR 1949-56 passenger:

0A-7013000-A	FRONT FLOOR MAT	49-50	115.00
1A-7013000-B	FRONT FLOOR MAT	51-51	110.00
8A-7045462-2539	TRUNK MAT, except conv and cpe	49-50	110.00
8A-7645462-2540	TRUNK MAT, convt & coupe only	49-50	115.00
1A-7045462-4130	TRUNK MAT, except 2 dr ht	51-51	90.00
BA-7013000	FRONT FLOOR MAT, Ford/Mercury	52-54	70.00
B5A-7013000	FRONT FLOOR MAT, pass cars, Ford & Mercury	55-56	80.00
B5A-7013000	FRONT FLOOR MAT, Ford/Mercury	55-56	70.00
BA-7045455	TRUNK MAT-RUBBER	52-54	95.00
B5A-7045455-AA	TRUNK MAT-Burtex Type	55-56	65.00
B5A-7045455	TRUNK MAT ORG TYPE	55-56	100.00

WINDOW

SUN VISORS:

7C-8104144-P	SUN VISORS, bracket & arm painted brown, pickups, left or right	48-52	22.50
7C-8104144-C	SUN VISOR, bracket & arm, chrome, pickup, left or right	48-52	30.00
7C-8104104-BI	SUN VISOR, pickup, black, pair	48-52	17.00
7C-8104104-BR	SUN VISOR, pickup, brown, pair	48-52	17.00
7C-8104104-GR	SUN VISOR, pickup, gray, pair	48-52	17.00
B6C-8104104-AA	SUN VISOR, p/up	56-56	17.00
BAAA-8104144-P	SUN VISOR, BRACKET, painted p/up ...	53-55	17.50
BAAA-8104144-C	SUN VISOR, BRACKET, chrome p/up ...	53-55	25.00
B6C-8104144-P	SUN VISOR, BRACKET, painted p/up ...	56-60	17.50
B6C-8104144-C	SUN VISOR, BRACKET, chrome p/up ...	56-60	25.00

REAR WINDOW SEALS:

8A-7042084	REAR WINDOW SEAL, no chrome	49-51	60.00
8A-7042084-D	REAR WINDOW SEAL, single groove ...	49-51	60.00
0A-7042084	REAR WINDOW SEAL, double groove, except Victoria	49-51	60.00
8M-7242084-B	REAR WINDOW SEAL MERC	49-50	65.00
1A-6042084-A	REAR WINDOW SEAL, Victoria	1951	140.00
BA-5942084-B	BACK WINDOW SEAL, 59 2 door ranch wagon, #78 sedan delivery	52-54	50.00
BA-6042084-E	BACK WINDOW SEAL, three piece glass crestline 2 door hardtop Victoria	1952	120.00
BA-7042084-E	BACK WINDOW SEAL, no chrome, #70A Mainline 2 door sedan, #72C Mainline business coupe, #73A Mainline 4 door sedan .	52-54	70.00
BA-7042084-F	BACK WINDOW SEAL with groove for stainless molding		
Ford:	#70B Customline 2 door sedan		
	#72B Customline club coupe		
	#73B Customline 4 door sedan		
	#73C Crestline 4 door sedan, 1954		
Mercury:	#70B 2 door sedan, #73B 4 door sedan		
	#73C Monterey 4 door sedan	52-54	60.00
BA-7942084-B	BACK WINDOW SEAL		
Ford:	#79 All 4 door station wagons		
	#59B Customline 2 door ranch wagon, 1954		
Mercury:	#79B 8 passenger station wagon		
	#79D 6 passenger station wagon, 1952	52-54	50.00
BF-6042084-A	BACK WINDOW SEAL		
Ford:	#60B Crestline Hardtop Victoria		
	#60F Crestline 2dr Hardtop Skyliner, 1954	53-54	72.50
BU-6042084-B	BACK WINDOW SEAL		
Mercury:	#60B 6 passenger Monterey coupe		
	#60E 6 passenger sports coupe		
	#60F 6 pass. Mont. Sun Valley Coupe, 1954 .	53-54	72.50
B5A-6442084-C	BACK WINDOW SEAL		
Ford:	#64 Crown Victoria		
Mercury:	#64A 6 passenger Montclair coupe		
	#64B 6 pass. Montclair Sun Valley Coupe 1955		72.50
B6A-6442084-H	BACK WINDOW SEAL		
Ford:	#64A Crown Victoria - solid top		
	#64B Crown Victoria - transparent top		
	#64C Fairlane 2-door hardtop - Victoria		
	#64D Customline 2 door hardtop - Victoria		
Mercury:	#64 A Montclair 2 door hardtop	1956	72.50
B5A-7042084-D	BACK WINDOW SEAL with groove for stainless molding		
Ford:	#60 Fairlane 2 door hardtop - Victoria, 1955		
	#70B Customline 2 door sedan		
	#70C Fairlane club sedan		
	#73B Customline 4 door sedan		
	#73C Fairlane town sedan		
	#70A Mainline 2 door sedan, 1956		

	#70D Mainline business 2 door sedan, 1956		
	#73A Mainline 4 door sedan, 1956		
	#57A Fairlane 4 door hardtop - Victoria, 1956		
Mercury:	#60B 6 passenger Monterey coupe, 1955		
	#60E 6 passenger sports coupe, 1955		
	#70B 2 door sedan, 1955		
	#73B 4 door sedan, 1955		
	#73C Monterey 4 door sedan, 1955		
	#70 2 door sedan, 1956		
	#73 4 door sedan, 1956	55-56	72.50

B5A-7042084-E	BACK WINDOW SEAL without moldings		
Ford:	#70A Mainline 2-door sedan		
	#70D Mainline business 2 door sedan		
	#73A Mainline 4 door sedan	55-56	72.50

PICKUP REAR WINDOW SEALS 1948-1956:

7C-8142084-A	REAR WINDOW RUBBER, pickup truck	48-50	22.50
1C-8142084	REAR WINDOW RUBBER, pickup truck	51-52	25.00
BAAA-8142084	BACK WINDOW RUBBER (use without wrap around glass), pickup	53-56	25.00
B6C-8142-84-A	BACK WINDOW RUBBER (use with wrap around back glass), pickup	53-56	40.00

QUARTER WINDOW SEALS:

8A-7229905-PR	QUARTER WINDOW SEAL, for stationary window	49-51	27.50
0A-7229904-PR	QUARTER WINDOW SEAL, push out window, club coupe only, pair	49-51	120.00
BA-7229904-PR	QUARTER WINDOW SEAL, #72C coupe with stationary windows	52-54	30.00
8A-7030248-PR	REAR VENT WINDOW SEAL, 2 door sedan, pair	49-51	100.00
8A-7030238-PR	REAR VENT WINDOW TO DIVISION BAR SEAL, 2 door sedan, pair	49-51	20.00
BA-7229904-PR	QUARTER WINDOW SEAL COUPE W/STA WINDOW	52-54	32.50

VENT WINDOW SEALS 1949-1956 PASSENGER CARS

8A-7021448-PR	VENT WINDOW SEAL, 2 door sedan, club coupe & 4 door	49-51	80.00
8A-7621448-PR	VENT WINDOW SEAL, convertible, Incl: 8A-7623038-PR foot (front of vent window foot)	49-50	100.00
0A-7621448-PR	VENT WINDOW SEAL, late50-51 convertible VicInc: 8A-7623038	late 50-51	100.00
8A-7030248-PR	REAR VENT TO DIVISION BAR SEAL, 2 door sedan, pr	49-51	16.50
8A-7326894-PR	REAR VENT WIN SEAL, 4dr sed	49-51	100.00
BA-7021448-PR	VENT WINDOW SEALS, closed cars & wagons	52-54	95.00
BA-7621448-PR	VENT WINDOW SEALS, convertible & Victoria	52-54	95.00
B5A-7621448-PR	VENT WINDOW SEALS, Crown Victoria, convertible & 56 2 door HT	55-56	95.00
B5A-7021448-PR	VENT WINDOW SEALS, ranch & station wagon, 2 & 4 door sedan, sedan delivery .	55-56	95.00

VENT WINDOW SEALS 1948-1956 PICKUP TRUCKS

7C-8121448-PR	VENT WINDOW RUBBER SEAL, pickup trucks, USA	48-52	60.00
BAAA-8121448-PR	VENT WINDOW SEALS, pickup, pair	53-55	60.00
B6C-8121448-PR	VENT WINDOW SEALS, pickup, pair ...	56-56	60.00

BACK EDGE OF VENT WINDOW SEALS

7C-8121450-PR	BACK EDGE OF VENT WINDOW SEAL (rubber molded over metal)	48-52	17.50
BAAA-8121450-PR	BACK EDGE OF VENT WINDOW SEAL, rubber only, pair, pickup truck	53-56	17.50
B6C-8121450-PR	BACK EDGE OF VENT WINDOW SEAL, pair, pickup	1956	15.00

8A-7021450-PR	BACK EDGE OF VENT WINDOW SEAL, 2 & 4 door sedan, coupe with rivets	49-51	20.00
8A-7621450-PR	BACK EDGE VENT WINDOW SEAL, convertible & Victoria, with rivets	49-51	20.00
8A-7030238-PR	BACK EDGE VENT WINDOW SEAL, rear vent	49-51	16.50
*BA-7021450-PR	BACK EDGE OF VENT WINDOW SEAL, 2 & 4 door sedan & wagon, pair	52-54	16.50
*BA-7021450-PR	BACK EDGE VENT WINDOW, convertible & hardtop, pair	52-54	16.50
*B5A-7021450-PR	BACK EDGE VENT WINDOW, 2 & 4 door sedan, pair	55-56	16.50
*B5A-7621450-PR	BACK EDGE VENT WINDOW, Crown Victoria, convertible, 56 2 door HT	55-56	16.50

CONVERTIBLE PARTS/SEALS

8A-7602626-PR	WINDSHIELD POST TO DOOR SEAL, convertible, pair	49-50	27.50
OA-7602626-PR	WINDSHIELD POST TO DOOR SEAL, CONVT & 2 DR HT	49-51	30.00
48-762232	WINDOW GLASS TO WINDOW FRAME SEAL, per window	35-50	5.00
CVT-3Q	WINDOW GLASS TO WINDOW FRAME SEAL, quarter window	42-49	5.00

WINDOW CHANNEL KITS

Kits contain pre-shaped channels, felt strips, and all hardware as needed for your particular car or pickup. Available kits are front door kits for two doors; tudor sedan rear side kits for two windows; fordor sedan rear door kits for two doors. For 1934 only, advise location (front or center) of inside door handle. For 1935-36 advise if felt strips or rubber bumpers fit on garnish molding. For 1941-42 coupes/sedan advise if vertical large metal channel on front doors has lower bracket slotted or threaded. Also 1941-48 coupe measure the door window opening (not including vent window) and advise if 26" or 17 1/2".

FRONT DOOR WINDOW CHANNEL KITS:

8A-45983-5W/4D	COUPE & FORDOR	49-51	85.00
8A-45983-2D	TUDOR SEDAN	49-51	90.00
1A-45983-2D	TUDOR & COUPE, late 50-51	50-51	85.00
1A-45983-4D	FORDOR, late 50-51	50-51	85.00

TUDOR SEDAN REAR QUARTER WINDOW CHANNEL KITS:

8A-56786	1949-51 TUDOR	49-51	87.50
1A-56786	1950-51 TUDOR SEDAN	50-51	87.50

FORDOR SEDAN REAR DOOR WINDOW CHANNEL KITS:

8A-56791	FORDOR SEDAN	49-51	85.00
1A-56791	FORDOR SEDAN	50-51	87.50

COUPE BACK ROLL DOWN WINDOW CHANNEL KIT:

BA-7023240-A	WINDOW REGULATOR ROLLER KIT	53-65	4.00
WRK-48105-D	WINDOW REGULATOR REPAIR KIT	40-50	19.95

PICKUP TRUCK WINDOW CHANNEL KITS:

7C-45983-PUX	PICKUP TRUCK	48-52	110.00
BAAA-45983-PUD	WINDOW CHANNEL KIT vintage pickup	120.00	
BAAA-45983-PUX	WINDOW GLASS CHANNEL KIT, pickup	53-55	110.00
B5C-8121458-A	WINDOW LIFT CHANNEL, pickup, F-1 to F-8, fits right or side	53-55	20.00
B6C-45983-PUD	WINDOW GLASS CHANNEL KIT, pickup	56-56	120.00

DOOR GLASS ANT-RATTLERS 1948-1956 PICKUPS

These are the one sided Cats Wiskers that the glass rides against at the bottom of the window opening. 1940-1952 sets do both doors and have black beads. 1953-1956 sets do one door and have stainless beads. attaching clips are included. USA made

7C-8121452-SET	48-52	23.50
BAAA-8121452-PR	53-55	12.50
B6C-8121452-PR	56-56	15.00
B7C-8121452-PR	DOOR GLASS ANTI-RATTLERS, p/up	57-60	15.00

WINDOW CHANNEL FASTENERS:

U-45983-7	WINDOW CHANNEL STICK, 96"	32-56	22.50
U-45983-2	WINDOW CHANNEL STICK, one sided, stainless steel bead, 96"	32-56	12.50

DOOR HANDLES & WINDOW CRANKS

8A-7022614-A	INSIDE DOOR HANDLE	1949	16.75
0A-7022614-B	INSIDE DOOR HANDLE	1950	15.00
B5A-7022600-A	INSIDE DOOR HANDLE	51-53	24.00
7C-8122600	INSIDE DOOR HANDLE, p/u trucks	48-52	14.00
BAAA-8122600	INSIDE DOOR HANDLE, pickup	53-55	14.00
B6C-8122600	INSIDE DOOR HANDLE, pickup	56-56	13.00

WINDOW RISERS

8A-7023342-C	INSIDE WINDOW RISER, chrome knob.	1949	17.50
8A-7023342-D	INSIDE WINDOW RISER, gray knob	1949	17.50
0A-7023342-B	INSIDE WINDOW RISER, ivory knob	1950	17.50
0A-7023342-C	INSIDE WINDOW RISER, black knob	1950	17.50
B5A-7023342-A	INSIDE WINDOW RISER, front & quarter windows	51-51	37.50
7C-8123342	INSIDE WINDOW RISER, pickup trucks	48-52	16.50
BAAA-8123342	INSIDE WINDOW RISER, pickup	53-55	17.00
B6C-8123342	INSIDE WINDOW RISER, pickup	56-56	17.50
357550-S	DOOR & WINDOW HANDLE RETAINERS	51-59	.50
B-7022624-A	DOOR HANDLE & WINDOW CRANK SPRING	49-51	.90
A-46250-P	ROLL PIN SET (for mounting inside handles)	32-53	.25

VENT WINDOW HANDLES & ESCUTCHEONS:

A9AZ-7022916-A	VENT WINDOW HANDLE WITH BUTTON, chrome, right side	49-56	40.00
A9AZ-7022917-A	VENT WINDOW HANDLE WITH BUTTON, chrome, left side	49-56	40.00
8A-7022938-B	VENT WINDOW BRACKET & HANDLE SHAFT ASSEMBLY, right side	49-56	15.00
8A-7022939-B	VENT WINDOW BRACKET & HANDLE SHAFT ASSEMBLY, left side	49-56	15.00

WINDOW REGULATORS - PICKUP TRUCKS

7C-702700/1-PR	WINDOW REGULATORS, pickup truck, pair, left & right	48-52	150.00
----------------	--	-------	--------

VENT WINDOW - PICKUP TRUCKS:

7C-7022938	VENT WINDOW HANDLE SHAFT, where handle mounts	48-50	15.00
01A-7022938	VENT WINDOW HANDLE SHAFT, where handle mounts	51-55	15.00
78-7022916	VENT WINDOW HANDLE, right side ...	48-50	24.95
78-7022917	VENT WINDOW HANDLE, left side	48-50	26.95
8M-7022916	VENT WINDOW HANDLE, right side ...	51-52	24.50
8M-7022917	VENT WINDOW HANDLE, left side	51-52	24.50
8M-7022916-PR	VENT WINDOW HANDLES, right & left, pair	51-52	42.50
BAAA-8122916	VENT WINDOW HANDLE, right side ...	53-55	29.95
BAAA-8122917	VENT WINDOW HANDLE, left side	53-55	29.95
A9AZ-7022916-A	VENT WINDOW HANDLE W/BUTTON, right side	56-60	32.00
A9AZ-7022917-A	VENT WINDOW HANDLE W/BUTTON, left side	56-60	32.00
8A-7022920-S	VENT WINDOW HANDLE BUTTON KIT (does one handle)	51-60	5.00
01A-7022938	VENT WINDOW BRACKET & HANDLE SHAFT ASSEMBLY	51-55	15.00

8A-7022938-B	VENT WINDOW HANDLE SHAFT, right, where handle mounts	56-60	15.00
8A-7022939-B	VENT WINDOW HANDLE SHAFT, left, where handle mounts	56-60	15.00

ESCUTCHEONS:

7C-8122618	ESCUTCHEON, pickup truck	48-52	7.80
B7A-7023370-B	ESCUTCHEON, window & door handle ..	51-62	3.00
BAAA-8122618	DOOR HANDLE & RISER ESCUTCHEON, pickup	53-55	7.00
B6C-8122618	DOOR HANDLE & RISER ESCUTCHEON, pickup	56-56	6.00
BAAA-8122916	INSIDE WINDOW CRANK & DOOR HANDLE ESCUTCHEON, 2 pieces, rubber & stainless for one handle, pickups	53-55	7.00
B6C-8122618	INSIDE WINDOW CRANK & DOOR HANDLE ESCUTCHEON, stainless steel, pickups	56-56	6.00

DOOR AREA

DOVETAILS & STRIKERS:

11A-35577-A	MALE DOVETAIL, 1941-48 all bodies, 1942-52 pickup, cad plate	41-52	3.00
11A-35577-ASS	MALE DOVETAIL, 1941-48 all bodies, 42-52 pickup, stainless steel	41-52	6.95

DOVETAIL REPAIR KITS:

11A-702574-RK	FEMALE DOVETAIL REPAIR KIT	41-52	6.00
	Also for 48-52 Pickup		

STRIKER PLATES:

81A-702340	STRIKER PLATE, 1935-39 passenger, 1935-52 pickup	35-52	6.50
81A-702340-SS	STRIKER PLATE, stainless steel, 35-39 passenger, 35-52 pickup	35-52	8.00
8C-8122010	STRIKER PLATE for door post p/up	48-52	10.50
BA-7022008-A	STRIKER PLATE, right side pass	50-54	20.00
BA-7022009-A	STRIKER PLATE, left side pass	50-54	20.00
B5A-702340-L	STRIKER PLATE, left, passenger cars	1955	20.00
B5A-702340-R	STRIKER PLATE, right, passenger cars ..	1955	20.00
B6A-702340-L	STRIKER PLATE, left, passenger cars	1956	20.00
B6A-702340-R	STRIKER PLATE, right, passenger car	1956	20.00
BAAA-8122008-A	STRIKER PLATE, right, pickup	53-55	20.00
BAAA-8122009-A	STRIKER PLATE, left, pickup	53-55	20.00
B6C-8122008	STRIKER PLATE, right, pickup	56-56	20.00
B6C-8122009	STRIKER PLATE, left, pickup	56-56	20.00
B6C-8122058-A	STRIKER PLATE SHIMS, pickup	53-56	3.00
BA-7022058-A	STRIKER PLATE SHIMS	50-54	3.00
353382-S	STRIKER PLATE ASSEMBLY BOLT, pass & p/up	50-56	.60

PADS FOR OUTSIDE DOOR HANDLES:

0A-7022428	PADS, 50-51 all pass		6.00
BA-7222428	OUTSIDE DOOR HANDLE PADS, passenger, pair	52-56	6.00
7C-8122428	OUTSIDE DOOR HANDLE PADS, pickups, pair	48-52	3.50
BAAA-8122428	OUTSIDE DOOR HANDLE PADS, pickup, 4 pieces	53-60	5.50
BAAA-8122478-A	DOOR HANDLE BUTTON SEAL, outside, pickups	53-60	4.00

OUTSIDE DOOR HANDLES:

0A-7022400	OUTSIDE DOOR HANDLE, right	50-51	65.00
0A-7022401	OUTSIDE DOOR HANDLE, left	50-51	65.00
0A-7022454	OUTSIDE DOOR HANDLE BUTTON ...	50-51	18.50
BA-7022400-C	OUTSIDE DOOR HANDLE, right, pass ..	52-56	55.00
BA-7022401-C	OUTSIDE DOOR HANDLE, left, pass ...	52-56	55.00
BA-7022400-PR	OUTSIDE DOOR HANDLES, right & left, passenger, pair	52-56	100.00
BA-7022454-B	RH DOOR HANDLE BUTTON	52-56	20.00
	pass. cars		
BA-7022455-B	LH DOOR HANDLE BUTTON	52-56	20.00
	pass. cars		

BA-22455-70B	DOOR HAND BUTTON, LEFT	52-56	15.00
BA-22454-70B	DOOR HAND BUTTON, RIGHT	52-56	15.00

OUTSIDE DOOR HANDLES 48-56 PICKUP TRUCK

7C-8122400-A	OUTSIDE DOOR HANDLE, right, pickup truck	48-52	50.00
7C-8122401-A	OUTSIDE DOOR HANDLE, left, pickup truck	48-52	50.00
B5C-8122400-A	OUTSIDE DOOR HANDLE, right, with push button, pickup	53-56	60.00
B5C-8122401-A	OUTSIDE DOOR HANDLE, left, with push button, pickup	53-56	60.00
BAAA-8122405-S	OUTSIDE DOOR HANDLE SHIELDS, stainless, pickup, pair	53-56	25.00

DOOR RUBBER BUMPERS:

B-46440	DOOR BUMPER, 32-36 except Victoria/B-400 (pickup 32-56)		1.00
---------	--	--	------

DOOR HARDWARE & LOCK CYLINDER:

8A-7021985-S	DOOR LOCK RUBBERS, 53-56 comm. .	49-56	3.00
8M-7221999	DOOR LOCK BUTTON GROMMET	49-51	2.00
8A-7021850-B	DOOR LOCK BUTTON	49-51	6.00

HINGE PINS

A-46250	PIN for inside window or door handle (except 40 Deluxe) each30
---------	---	--	-----

DOOR BOTTOM RUBBER WEATHERSTRIP SEAL:

91C-8120706	SEAL, pickup, pair	32-34 & 37-51	7.00
	<i>Seals prices at \$5.00 are sold each and are 40 inches long. Order one per front door, and order one for two rear doors.</i>		

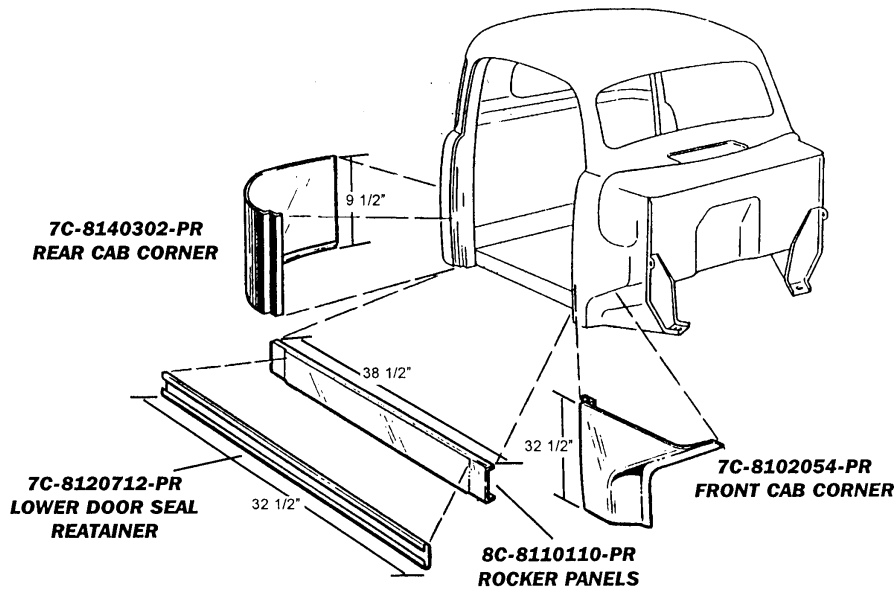
LOWER DOOR SEAL RETAINERS FOR 48-56 PICKUPS

7C-8120712-PR	LOWER DOOR SEAL RETAINER, pair, pickup, mounts on rockers	48-52	6.00
BAAA-8120712-PR	LOWER DOOR SEAL RETAINER ON DOOR, pickup	53-56	8.00
8A-7020712-PR	LOWER DOOR SEAL RETAINER STRIPS. PAIR-FORD/MERC	49-51	8.00

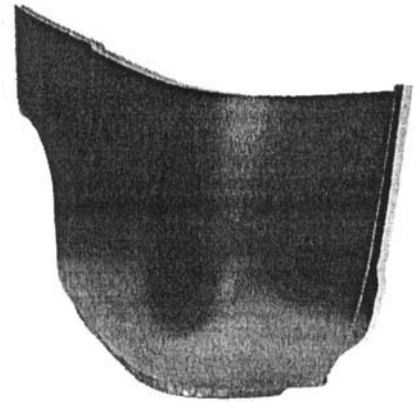
DOOR SEALS -1949-56 passenger cars, USA made:

Door seal kits are exactly like the originals. They consist of front top, back and bottom sides of door with special molded corners. Instructions are included.

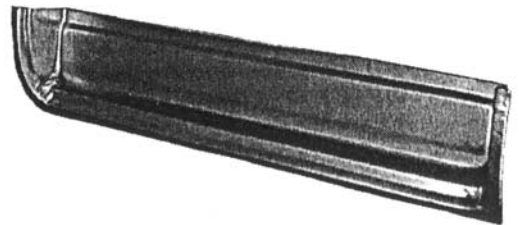
8A-7020530-PR	DOOR SEALS, closed car 2 doors (pair)	49-51	90.00
8A-7320530-SET	DOOR SEALS, closed cars 4 door, (complete set)	49-51	190.00
8A-7620530-PR	DOOR SEALS, convertible & 1951 Victoria, pair	49-51	110.00
8A-7920530-PR	DOOR SEALS, station wagon	49-51	100.00
BA-7020530-PR	DOOR SEAL KIT, sedan, pair	52-54	90.00
BA-7620530-PR	DOOR SEAL KIT, convertible, Victoria & hardtop, pair	52-54	90.00
B5A-7020530-PR	DOOR SEAL KIT, 2 door sedan, pair	1955	82.50
B6A-7020530-PR	DOOR SEAL KIT, 2 door sedan, pair	1956	82.50
BA-7320530-SET	DOOR SEAL KIT, 4 door sedan	52-54	200.00
B5A-7320530-SET	DOOR SEAL KIT, 4 door sedan	1955	165.00
B6A-7320530-SET	DOOR SEAL KIT, 4 door sedan	1956	165.00
B5A-6020530-PR	DOOR SEAL KIT, 2 door hardtop, Fairlane & Victoria, pair	1955	82.50
B5A-7620530-PR	DOOR SEAL KIT, convertible & Crown Victoria, pair	1955	82.50
B6A-7620530-PR	DOOR SEAL KIT, convertible, Crown Victoria & 2 door hardtop, pair	1956	82.50
B6A-7620565-PR	TOP REAR OF DOOR SEAL, late 1955 hardtops, Crown Victoria & convertibles (Not included in Door Seal Kit), pair	1955	20.00
B5A-7621382-PR	TOP OF VENT WINDOW CORNER SEAL convertibles only (Not included in Door Seal Kit), pair	1956	8.00
A-19952-2.0	WEATHER STRIP ADHESIVE	1932-53	6.95



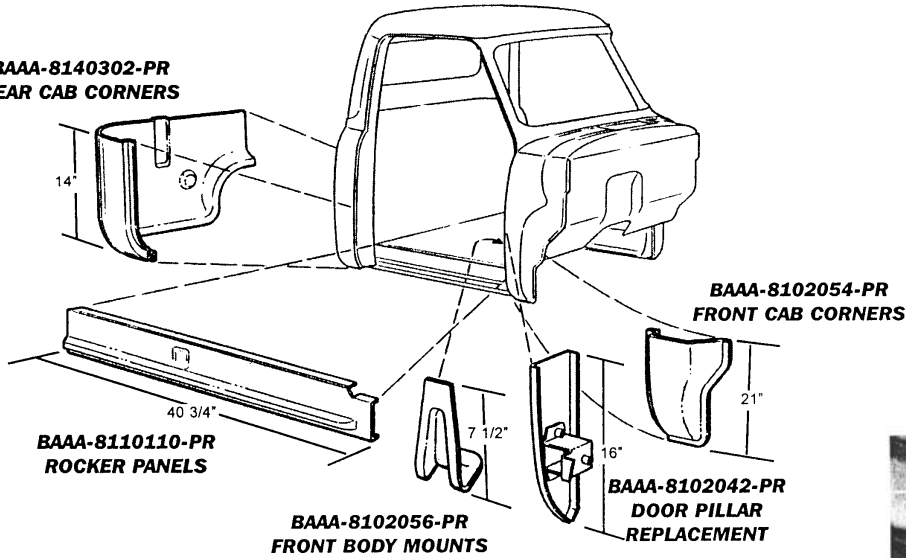
BAAA-8140303-S
REAR CAB CORNER



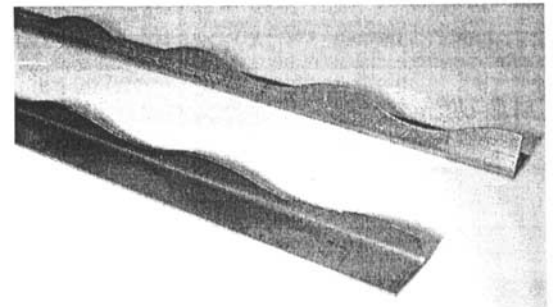
BAAA-8120124
INNER DOOR BOTTOM



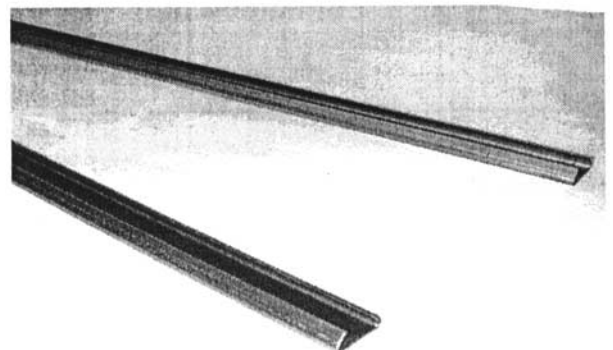
BAAA-8140302-PR
REAR CAB CORNERS



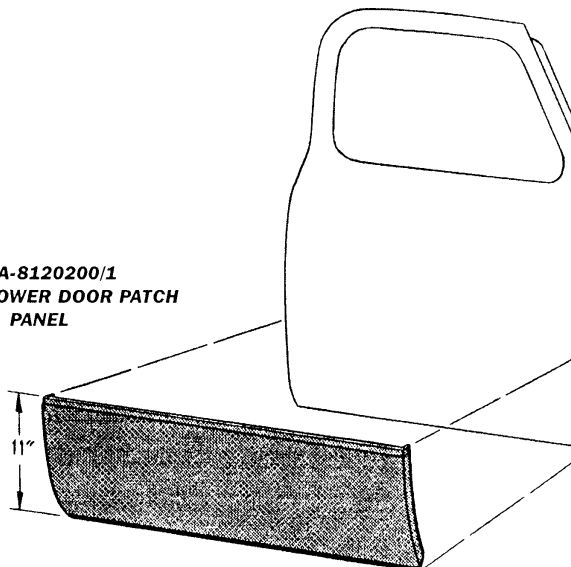
BAAA-8120712-PR
LOWER DOOR SEAL RETAINER



BAAA-8110112-PR
CAB SKIRT CHANNEL



BAAA-8120200/1
1953-56 LOWER DOOR PATCH
PANEL



1948-56 PICKUP TRUCKS, USA made:

8C-8120530-PR	DOOR SEALS, pickup trucks	48-52	60.00
BAAA-8120530-PR	DOOR SEALS, both doors, top, bottom & sides, pickup truck	53-55	60.00
B6C-8120706	DOOR SEALS, pickup, both doors, top, sides & bottom	56-56	60.00

ARM REST:

8C-8124141	ARM REST, PICKUP	48-50	50.00
BAAA-8124141	ARM REST	51-56	55.00

DOOR EMBLEMS, CUSTOM CAB:

B5C-8125622-A	DOOR EMBLEMS, "Custom Cab" pair for pickups	55-56	25.00
---------------	---	-------	-------

DOOR SCUFF PLATES:

Listed below is a sample of scuff plates available. Please inquire for those not listed.

8A-7013208-PR	DOOR SCUFF PLATES, 2 door sedan, coupe & convertible	1949	95.00
0A-7013208-PR	DOOR SCUFF PLATES, 2 door sedan, coupe & convertible	1950	110.00
8A-7313228-PR	DOOR SCUFF PLATES, 4 door, rear	1949	95.00
8A-7313208-PR	DOOR SCUFF PLATES, 4 door sedan, front	1949	95.00
0A-7313208-PR	DOOR SCUFF PLATES, 4 door, front	1950	95.00
0A-7313228-PR	DOOR SCUFF PLATES, 4 door, rear	1950	95.00
1A-7013208-PR	DOOR SCUFF PLATES, 2 door, except station wagon	1951	115.00
BA-7013208-PR	SCUFF PLATES, 2 door sedan & 2 door wagon	52-54	95.00
B5A-7313208-PR	SCUFF PLATES, 4 door sedan & 4 door wagon	55-56	95.00

SHEET METAL

1949-1951 SHEET METAL:

8A-7010130-PR	ROCKER PANEL QUICK ON REPAIR PANELS, 2 door, pair	49-51	75.00
8A-7310130-PR	ROCKER PANEL QUICK ON REPAIR PANELS, 4 door, pair	49-51	76.00
8A-7027816-PR	QUARTER PATCH PANELS, pair	49-51	40.00
8BA-93R	QUARTER PATCH PANEL from door to top of wheelwell, right side	49-51	145.00
8BA-93L	QUARTER PATCH PANEL from door to top of wheelwell, left side	49-51	145.00
8BA-94R	REAR FENDER PATCH PANEL from top of wheelwell to rear of fender, right side	49-51	145.00
8BA-94L	REAR FENDER PATCH PANEL from top of wheelwell to rear of fender, left side	49-51	145.00
EF-10	TAIL PAN - OEM STYLE, Original Style	49-51	96.00
EF-35-R	FRONT FENDER lower rear repair section right side, passenger cars	49-51	60.00
EF-35-L	FRONT FENDER lower rear repair section left side, passenger cars	49-51	60.00
EF-89-R	ROCKER PANEL, right side	49-51	99.00
EF-89-L	ROCKER PANEL, left side	49-51	99.00
EF-92	LOWER TAIL PAN, All Bodies, Below truck lid	49-51	185.00
EF-96	TRUNK FLOOR - REAR SECTION FROM UNDER TRUNK PANEL FORWARD 8"	49-51	130.00

1948-1956 PICKUP TRUCK SHEET METAL:

7C-8102054	COWL PATCH PANEL, right side, p/up ..	48-52	55.00
7C-8102055	COWL PATCH PANEL, left side, p/up ...	48-52	55.00
BAAA-8102054	COWL PATCH PANEL, right side, p/up ..	53-56	50.00
BAAA-8102055	COWL PATCH PANEL, left side, p/up ...	53-56	50.00
7C-8140302	REAR CAB CORNERS, right side, p/up ..	48-52	45.00
7C-8140303	REAR CAB CORNERS, left side, p/up ...	48-52	45.00

BAAA-8140302-S	REAR CAB CORNERS, right side, p/up ..	53-56	48.00
BAAA-8140303-S	REAR CAB CORNERS, left side, p/up ...	53-56	48.00
1C-8188-FG	LOWER GRILL PANEL, pickup, fiberglass	51-52	135.00
7C-8188	LOWER RADIATOR SPLASH APRON below grille, behind bumper, USA made, steel, pickup	48-50	99.95
B6C-8188-A	LOWER GRILL PANEL, pickup, fiberglass	55-56	135.00
	steel	48-50	89.95
7C-8310	AIR DEFLECTOR BEHIND GRILLE, right side, pickup	48-50	42.50
7C-8311	AIR DEFLECTOR BEHIND GRILLE, left side	48-50	42.50
1C-8310	AIR DEFLECTOR BEHIND GRILLE, right side, pickup	51-52	44.00
1C-8311	AIR DEFLECTOR BEHIND GRILLE, left side, pickup	51-52	44.00

FLOOR PANS 48-56 PICKUPS

EF-85	ONE PIECE FLOOR PAN 18GA. Steel, F-1, F-6	48-52	165.00
7C-8111106	FLOOR PANS, front right side, pickup ...	48-52	100.00
7C-8111107	FLOOR PANS, front left side, pickup	48-52	100.00
7C-8111106-PR	FLOOR PANS, front left & right side, pickup	48-52	200.00
BAAA-8111106	FLOOR PANS, right side, pickup	53-55	100.00
BAAA-8111107	FLOOR PANS, left side, pickup	53-55	100.00
BAAA-8111106-PR	FLOOR PANS, right & left sides, pickup	53-55	200.00
B6C-8111106	FLOOR PANS WITH BATTERY HOLD, right side, pickup	56-56	100.00
B6C-8111107	FLOOR PANS, left side, pickup	56-56	100.00
B6C-8111106-PR	FLOOR PANS, right/left, pickup	56-56	200.00

ROCKER PANELS 48-56 PICKUPS

8C-8110110-PR	ROCKER PANELS, pair, pickup	48-52	45.00
BAAA-8110110-PR	ROCKER PANELS, pr, p/up	53-56	100.00
8A-7010128-PR	ROCKER PANELS, 2 door complete units, pair	49-51	165.00

DOOR PILLAR & BODY MOUNTS 48-56 PICKUPS

BAAA-8102042	DOOR PILLAR REPLACEMENT, right side, pickup	53-56	45.00
BAAA-8102043	DOOR PILLAR REPLACEMENT, left side, pickup	53-56	45.00

Door Pillar Replacements include Door Hinge Bucket Installed.

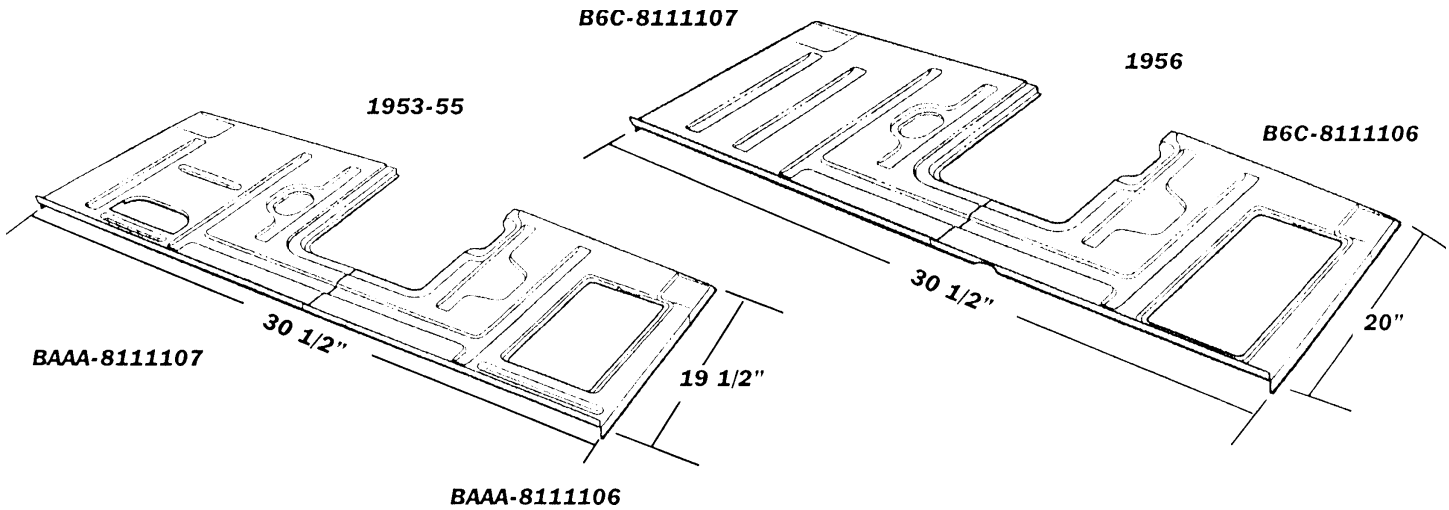
BAAA-8102056	FRONT BODY MOUNTS, right side, pickup	53-56	30.00
BAAA-8102057	FRONT BODY MOUNTS, left side, pickup	53-56	30.00

DOOR SKINS 53-56 PICKUPS

BAAA-8120200	OUTER DOOR SKINS, right door, p/up ..	53-56	45.00
BAAA-8120201	OUTER DOOR SKINS, left door, p/up ...	53-56	45.00
BAAA-8120124	INNER DOOR BOTTOM, right door, p/up ..	53-56	55.00
BAAA-8120125	INNER DOOR BOTTOM, left door, p/up ...	53-56	55.00

E-mail: EARLYFORD@prodigy.net
Website: www.EARLYFORD.COM

Free Shipping for
Orders Over \$400.00



DASH AREA

11A-15055	CIGAR LIGHTER WELL REPLACEMENT, 6V	35-55	20.00
8A-9273-CC	CLOCK COVER, die cast chrome plated, USA made	49-50	40.00

DASH PLASTIC

PICKUP TRUCK DASH:

7C-8104352	RADIO SPEAKER GRILLE, beige plastic with screws, pickup trucks	48-50	20.00
7C-8104371	RADIO HOLE COVER, beige plastic, pickup trucks	48-50	15.00
7C-8104371-CC	RADIO HOLE COVER, chrome plated, pickup trucks	48-50	30.00
7C-81-4352-CC	RADIO SPEAKER GRILLE, chrome, pickup trucks	48-50	30.00

DASH KNOBS

OA-9270-BS	DASH KNOB SET FI	50-50	45.00
------------	------------------------	-------	-------

ts all except convt & crestline

INDIVIDUAL KNOBS

91C-7213	GEAR SHIFT KNOB for floor shift	39-52	6.00
7C-7213	GEAR SHIFT LEVER KNOB for column shift, ball shape	48-55	5.00
7C-9700	HEATER BLOWER MOTOR, air, defrost & temperature control	48-50	5.00
7C-9708	CHOKE KNOB	48-50	4.50
7C-9778	THROTTLE KNOB	48-50	4.50
7C-11661	HEADLIGHT SWITCH KNOB with shaft	48-50	7.00
7C-15052	CIGAR KNOB	48-50	5.00
11A-15055	CIGAR LIGHTER ELEMENT & WELL ASSEMBLY, 6 V	48-55	20.00
1C-9700	HEATER BLOWER MOTOR, air, defrost & temperature control	51-52	4.50
1C-9703-A	THROTTLE KNOB	51-52	4.50
1C-9778-A	THROTTLE KNOB	51-52	4.50
1C-11661-A	HEADLIGHT SWITCH KNOB with shaft	51-52	7.00
1C-15052-A	CIGAR KNOB	51-52	5.00
1C-17513-A	WIPER KNOB - on/off	51-52	4.50
7C-9700-U	CHOKE OR THROTTLE CABLE - no knob	48-up	7.00
7C-8101656	ASHTRAY KNOB	48-50	4.00
BAAA-8101656	GLOVE BOX DOOR KNOB	53-56	4.00
BAAA-8101656	ASH TRAY KNOB	53-56	4.00
BAAA-15052	CIGAR KNOB	53-56	4.50
BAAA-17513	WIPER KNOB	53-56	4.50

B6C-11661	HEADLIGHT SWITCH KNOB with shaft	55-56	7.00
BAAA-11661	HEADLIGHT SWITCH KNOB with shaft	53-54	7.00
BAAA-9700	CHOKE KNOB	53-56	4.00
BAAA-9700	THROTTLE KNOB	53-56	4.00
BAAA-9700	DEFROSTER KNOB - fits recirculating & fresh air	53-56	4.00
BAAA-9700	HEATER BLOWER SWITCH KNOB - fits recirculating & fresh air	53-56	4.00
BAAA-9700	HEATER TEMPERATURE CONTROL KNOB -fits fresh air	53-56	4.00
BAAA-9700	AIR PULL KNOB - pull knob for fresh air heater	53-56	4.00
1A-13305	TURN SIGNAL LEVER KNOB	48-56	4.00
2C-11500	START BUTTON ASSEMBLY	53-55	5.00
11A-15055	CIGAR LIGHTER ELEMENT & WELL ASSEMBLY - 6V	48-55	20.00
B6C-15055	CIGAR LIGHTER ELEMENT & WELL ASSEMBLY - 12V	56-66	12.00
B6C-7213	GEAR SHIFT LEVER KNOB for column shift, sphere shape	56-60	4.00
BAAA-8102145	COWL VENT KNOB	53-56	4.00
6A-11500-C	STARTER BUTTON, chrome plated button, 6 & 8 cylinder	37-50	3.75

All knobs and buttons above are by Carpenter except for 1939 which are usually by Bob Drake. Not all available knobs are listed. Please inquire if you do not see what you need.

DASH BEZELS PICKUPS:

BAAA-10852-K	DASH KNOB BEZELS, 5 piece set pickup trucks	53-55	32.50
B6C-10852-K	DASH KNOB BEZELS, 5 piece set	56-56	30.00

TRIM CLIPS & FASTENERS

Below is a sample of clips available. Other year trim clip sets are available - Please inquire.

U-29000-CLAK	UNIVERSAL CLIPS TO MOUNT BODY MOLDINGS, set of 10	ALL	10.00
B-353037	DOOR PANEL CLIP SET	ALL	8.00
352362-S	BODY SIDE MOLDING CLIP need 30 per car	49-50	3.00
356761-S	T-BOLT CLIP REAR OF QTR MOLDING need 2 per car	49-50	2.50

FRAME AND UNDERBODY COMPONENTS

NUT CAGES & CAGE NUTS

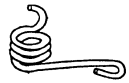
PC-55	NUT CAGES, for 1/4 sq. nuts	ALL	1.00
PC-56	NUT CAGES, for 5/16 sq. nuts	ALL	1.15
PC-57	NUT CAGES, for 3/8 sq. nuts	ALL	1.15
PC-58	SQUARE NUTS, 1/4-20	ALL	.15
PC-59	SQUARE NUTS, 5/16-18	ALL	.15
PC-60	SQUARE NUTS, 5/16-24	ALL	.30
PC-61	SQUARE NUTS, 3/8-16	ALL	.25
PC-62	SQUARE NUTS, 3/8-24	ALL	.35

PICKUP TRUCK BED PARTS



B-78438

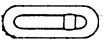
B-78438 TAILGATE HOOK, primed 38-52 6.00



46-830824

B-78438-SS TAILGATE HOOK, stainless steel 38-52 10.00

46-830824 RETAINER SPRING/ TAILGATE HOOK 33-50 4.00



10208

10205 TAILGATE CHAIN, 13 links 38-56 4.00

B-78420 CHAIN COVER, black, pair 26-52 8.00

10208 CHAIN TOP LINK 38-50 8.00



10213

10209 CHAIN TOP LINK 51-52 3.00

10213 TAILGATE CHAIN BRACKET 38-50 6.00



81C-830860

81C-830860 TAILGATE HINGE 37-52 8.50

81C-830860-SS TAILGATEHINGE 37-52 17.50
STAINLESS STEEL

BED STRIPS, ALL HOLES PUNCHED:

7C-8112605-CR	BED STRIPS, steel, 76 3/4, set of 7	48-56	75.00
	Each Piece Separately		9.00
7C-8112605-SS	BED STRIPS, stainless, 76 3/4, set of 7 ...	48-56	175.00
	Each Piece Separately		17.50
7C-8112605-SSP	BED STRIPS, polished stainless steel	48-56	240.00

BED STRIPS, NO HOLES PUNCHED:

7C-8112605-CRU	BED STRIPS, steel, 76 3/4,	48-56	50.00
7C-8112605-SSU	BED STRIPS, stainless, 76 3/4,	48-56	95.00
7C-8112605-SSUP	STAINLESS BEDSTRIPS polished, no holes	32-56	120.00

BED STRIP HARDWARE:

7C-8112610-SSS	BED STRIP BOLTS, 49 piece, unpolished, for 6 1/2' bed	48-56	40.00
7C-8112610-SSP	BED STRIP BOLTS, 49 piece, polished stainless steel, for 6 1/2' bed	48-56	65.00

BED STRIP AND WOOD BOLT KITS:

7C-8112615-SS	BED STRIP & WOOD BOLT KITS, unpolished	48-56	55.00
7C-8112615-SSP	BED STRIP & WOOD BOLT KIT, polished	48-56	85.00

BED MOUNTING HARDWARE:

10328	BED MOUNT BOLT, 3 3/4"	32-50	3.00
10329	BED MOUNT BOLT, 8"	35-50	4.50
10330	BED BOLT, carriage	35-50	6.00

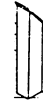
7C-8144440-SS COUNTERSUNK WASHER
Need 4 per bed 48-72 2.50



81C-830522

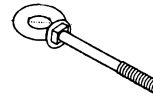
7C-8144150-S BED WOOD 48-56 6.00
EDGE SEAL RUBBER P/UP

7C-8144155-S BED TO FRAME PADS 48-52 7.00



10271

BAAA-8144155-S BED TO FRAME PADS 53-56 7.00



10272-L

81C-830522 BED STAKE POCKETS, front & rear 38-50 29.50

10271 BED STAKE POCKETS, front & rear 50-72 20.00



10273-R

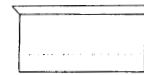
10272-L REAR STAKE POCKET BRACE, left 38-50 18.00

10273-R REAR STAKE POCKET BRACE, right 38-50 18.00



60601

60601 EYE BOLT 50-79 4.00



8C-8300124

8C-8300124 BED FRONT PANELS, 49" wide 50-72 150.00

PICKUP BED SIDES:

Complete bed sides are available for Ford pickups years 1932-72. Please inquire as to current pricing.

PICKUP BED WOOD:

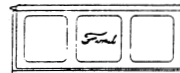
88017	BED FLOORING WOOD, oak	42-50	265.00
88018	BED FLOORING WOOD, oak	50-72	265.00

CUSTOM FLOOR WOOD KITS: Kit includes, Red Oak Boards,

Stainless Bed Strips & Stainless Hardware. Same Kits Available With Steel Strips And Steel Hardware @ \$290.00.

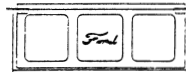
88025/1 CUSTOM FLOOR WOOD KIT 42-50 365.00

Steel bed floor covering available, please inquire.



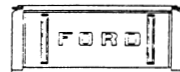
21C-8340700

21C-8340700 TAILGATE, 49 3/4 wide 42-50 300.00



8C-40700

8C-40700 TAILGATE, 49 3/4 wide 50-52 300.00



B7C-8340700-A

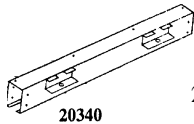
B7C-8340700-A TAILGATE, 50" wide 53-72 325.00



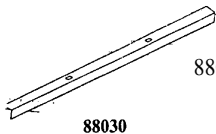
10315

10315 TAILGATE END 38-50 8.00

21C-83106610	FRONT CROSS MBR .. 42-50	40.00
22016	CEN CROSS MBR ... 42-50	50.00
22017	CEN CROSS MBR ... 42-50	50.00



20340	BED REAR CROSSMEMBER	51-72	69.95
-------	----------------------------	-------	-------



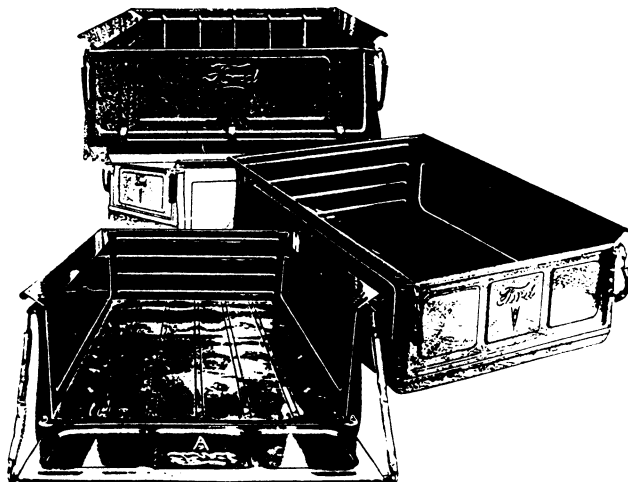
88030	REAR CAP	51-72	20.00
-------	----------------	-------	-------

	SPECIAL FENDER TO BED BOLT, flat head	31-66	.75
--	---	-------	-----

88030-SS	REAR CAP, stainless steel	51-72	35.00
----------	---------------------------------	-------	-------

PICKUP BED RIVITS & TOOLS

99017	RIVIT SET, all rivits to restore bed	31-56	24.50
99022	RIVIT TOOL MANUAL, 3/8	31-56	12.00
99023	RIVIT TOOL MANUAL, 1/4	31-56	12.00
99020	RIVIT TOOL AIR, 3/8	31-56	12.00
99021	RIVIT TOOL AIR, 1/4	31-56	12.00



PICKUP BEDS

Complete pickup beds available 1932-1956. Individual component parts also available. Beds may be purchased as kits or completely assembled units. Call us for prices. Shipped via truck.

7C-8151968-BR	HEADLINER KIT, brown	48-52	150.00
7C-8151968-BL	HEADLINER KIT, black	48-52	150.00
7C-8151968-RD	HEADLINER KIT, red	48-52	150.00
7C-8151968-GR	HEADLINER KIT, green	48-52	150.00

NOTE: Above headliner kits will fit the 51-52 by cutting the back window area larger. Kits include headliner, left & right sides of back window, below back window center, left & right sides of below back window, pair of under dash kick panels, with screws, washers & clips necessary to install. Shipped via commercial truck.

B5C-8151968-AA	HEADLINER-ROOF ONLY, grey	53-55	80.00
B6C-8151968	HEADLINER-ROOF ONLY, grey	1956	80.00
B6C-8251968-BW	HEADLINER-ROOF ONLY FOR LARGE BACK WINDOW, grey	1956	80.00

7C-8102340-RD	UNDER DASH COWL PANELS, red, pair	48-52	15.00
7C-8102340-BL	UNDER DASH COWL PANELS, black, pair	48-52	15.00
7C-8102340-BR	UNDER DASH COWL PANELS, brown, pair	48-52	15.00
7C-8102340-GR	UNDER DASH COWL PANELS, grey, pair	48-52	15.00

Above cowl panels with 6 mounting clips.

BAAA-8102340-PR	UNDER DASH COWL PANELS, grey, pair	53-55	15.00
B6C-8102340-PR	UNDER DASH KICK PANELS, COWL, grey, pair	1956	15.00

1C-8123890-BR	DOOR PANELS, brown, pair	51-52	18.00
1C-8123890-BL	DOOR PANELS, black, pair	51-52	18.00
1C-8123890-RD	DOOR PANELS, red, pair	51-52	18.00
1C-8123890-GR	DOOR PANELS, grey, pair	51-52	18.00
BAAA-8123890-PR	DOOR PANELS, gr, pair	53-55	29.95
B6C-8123890-PR	DOOR PANELS, grey, pair	1956	29.95
BAAA-8120018	CLIPS TO HOLD DOOR PANELS ON, set	53-56	6.00
BAAA-8142414	SPECIAL PIECES BELOW BACK WINDOW ON CUSTOM CABS BEHIND SEAT	53-56	39.50

ROOF HEADLINER RUBBER PARTS:

BAAA-8150956	SEAL TO HOLD ROOF HEADLINER, 176"	53-56	16.50
BAAA-8150960-S	CLIPS TO HOLD HEADLINER, set of 16	53-56	6.00

FLATHEAD PERFORMANCE PARTS

OFFENHAUSER CYLINDER HEADS - INTAKE MANIFOLDS:

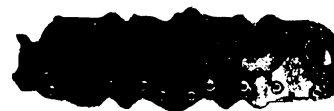
EF-1069	FINNED ALUMINUM HIGH COMPRESSION CYLINDER HEADS, pair	49-53	550.00
---------	---	-------	--------

Specify Compression Ration Desired

EF-48	STAINLESS HEAD WASHERS	32-53	25.00
-------	------------------------------	-------	-------

GASKETS

8BA-6051-BB	BIG BORE HEAD GASKET	49-53	29.95
8BA-6083-BB	BIG BORE HEAD GASKET	49-53	29.95
EF-1180	OFFY INTAKE MANIFOLD GSKT	32-53	10.00
EF-1075	STANDARD DUAL INTAKE	49-53	239.00



FINNED ALUMINUM HIGH COMPRESSION CYLINDER HEADS

Super Dual Intakes: Include fan bracket if applicable. Correct generator bracket (by year), thermostat & water elbow (49-53).

EF-1076	SUPER DUAL INTAKE	49-53	294.95
---------	-------------------------	-------	--------

TRIPLE INTAKE - SAME ACCESSORIES AS SUPER DUAL:

EF-1077	TRIPLE INTAKE	49-53	339.00
---------	---------------------	-------	--------

FOUR BARREL INTAKE:

EF-1078	FOUR BARREL INTAKE	49-53	265.00
---------	--------------------------	-------	--------

EF-HOLLY MT	HOLLY MOUNT PLATE FOR FOUR BARREL		35.00
-------------	---	--	-------

CARBURETOR LINKAGE (PASSENGER SIDE):

EF-1001	SINGLE END 3 1/2"	10.95
EF-1002	SINGLE END 7 "	14.94
EF-1003	SINGLE END 9 "	14.95
EF-1004	STANDARD DUAL 3.5" BALL TO BALL	22.95
EF-1005	DUAL 7" BALL TO BALL	19.95
EF-1006	DUAL 9" BALL TO BALL	25.95
EF-1007	LINKAGE SLEEVE 1/4"	4.95

CARBURETOR LINKAGE (DRIVERS SIDE)

Must Have Extended Throttle Shaft On Left Side

EF-2864	STANDARD DUAL	28.95
EF-2865	SUPER DUAL	34.95
EF-6271	TRIPLE/PROGRAM	69.95
EF-2866	TRIPLE/UNISON	38.95

We have in stock a good supply of professionally rebuilt carburetors. Model 97 Strombergs and model 94's. Sold exchange or outright.

97-9510-REB	STROMBERG MODEL 97 REBUILT CARBURETOR. CORE CHARGE \$75.00	195.00
94-9510-REB	MODEL 94 REBUILT, CORE CHARGE \$30.00	115.00

MALLORY IGNITION SYSTEMS

EF-2527502	MALLORY DUAL POINT W/GEAR49-5275.000	
EF-5027502	MALLORY ELECTRONIC W/GEAR 49-53	395.00

**MALLORY COILS & TUNE UP & SERVICE PARTS
AVAILABLE INQUIRE**

EF-12107	POINTS, MALLORY DIST	32-53	10.00
EF-400	MALLORY CONDENSOR	32-53	4.95
EF-309	ROTOR, 8BA DIST	49-53	5.75
EF-29217	MALLORY COIL/DUAL POINT	32-53	39.95
EF-29216	MALLORY COIL/ELECTRONIC	32-53	36.95

ISKENDERIAN CAM:

EF-817700	CAM SHAFT (STATE GRIND CHOICE)	49-53	289.95
-----------	---	-------	--------

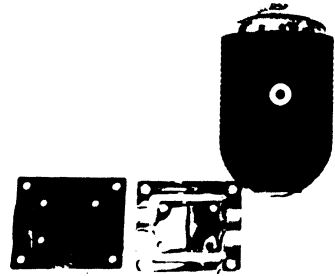


ENGINE HEADERS:

EF-7101	FENTON CAST IRON HEADERS, pair	299.95
EF-7102	ECONO HEADERS, plain	129.95
EF-7103	ECONO HEADERS, nickel plate	149.95

SMITHY MUFFLERS

EF-5120	SMITHY MUFFLERS	EA	35.00
---------	-----------------------	----	-------



FLATHEAD ACCESSORIES:

EF-BHIVE	BEEHIVE OIL FILTER	225.00	
EF-5	STANDARD BEEHIVE BRACKET	12.95	
EF-6	CHROME BEEHIVE BRACKET	21.95	
EF-3494	OIL FILTER MOUNTING SPACER (Gets filter above cylinder fins)	12.95	
EF-1081	OFFY POL. ALUMINUM FUEL BLOCK	35.95	
EF-3495	CARB COVER, SMALL 4 BOLT	15.95	
EF-3497	CURVED WATER TUBE (for offset gen. clearance on 49-54)	23.95	
EF-1097	FINNED ALUMINUM CARB BLANK OFF	15.95	
EF-3496	OFFSET THERM. HSG. FOR GENERATOR CLEARANCE	36.95	
EF-5265	FUEL PUMP BLOCK OFF PLATE	15.95	
EF-5248	LARGE CARB BLOCK OFF PLATE	19.95	
EF-6180	CARB ARM LEFT SIDE	3.95	
EF-1209	CHROME OIL CAP	49-53	6.00
EF-1208	CHROME OIL FILLER PIPE	49-53	15.00
EF-11001	CARB. VELOCITY STACK	24.95	



STAINLESS STEEL GENERATOR & STARTER COVERS:

EF-7	SS GENERATOR COVER, 2 piece	49-53	29.95
------	-----------------------------------	-------	-------

GENERATOR FAN BRACKETS FOR DUAL & TRIPLE INTAKES

EF-1096	GENERATOR BRACKET, drivers side ..	49-53	44.95
EF-1095	GENERATOR BRACKET, pass. side	49-53	44.95
EF-3499	FAN CARRIER BRACKET	35.95	

12 VOLT CONVERSION ACCESSORIES:

EF-90502	WIDE BELT ALTERNATOR PULLEY	29.95
----------	-----------------------------------	-------

We also have available completely rebuilt starters & generators converted to 12 volts. Please inquire as to availability & price

ALTERNATOR BRACKETS:

EF-67910	ALTERNATOR BRACKET, plain	46-53	54.90
EF-67909	ALTERNATOR BRACKET, chrome	46-53	84.95
EF-9120	ALTERNATOR , 6 volt pos. ground	32-53	129.95

BOOKS ABOUT FORD

EARLY FORD V8

V-1	Restorer's Guide 1932 Ford, 4 and 8 Cyl	\$8.00
V-2	Service Instruction, 4 and V8, 1932	12.00
V-3	Restorer's Guide 1933 Ford, 4 and 8 Cyl	8.00
V-4	Ford Service Instructions 1933	12.00
V-5	Restorer's Guide for 1934	7.00
V-6	Ford Service Bulletins, 1934	11.00
V-7	Restorer's Guide for 1935	8.00
V8	Restorer's Guide for 1936	8.00
V-9	Ford Maintenance Manual 1932 to 1948	4.50
V-10	Repair Manual, Ford-Mercury, 1937-48	8.00
V-11	Instruction Book, 1934 Ford V8	8.00
V-13	1932 to 1936 Mechanics Repair Manual	20.00
V-14	1937 to 1938 Mechanics Repair Manual	20.00
V-15	1939 and 1940 Ford-Mercury Repair Manual	20.00
V-16	Reference Book for 1940 Ford	8.00
V-17	Reference Book for 1936 Ford	8.00
V-18	Instruction Book, 4-Cylinder, 1932-33-34	8.00
V-19	Instruction Book, V8 Cylinder, 1932-33	8.00
V-20	Reference Book for 1937 Ford	8.00
V-21	Reference Book for 1938 Ford	8.00
V-22	Owner's Reference Book for 1939 Ford	8.00
V-23	Owner's Reference Book for 1941 Ford	8.00
V-24	Manual, Ford-Mercury-Lincoln, 1946-48	23.00
V-28	Ford Service Manual, 1949-50, Car and Truck	14.00
V-32	Body Parts List, 1932 Model B Ford	14.00
V-33	Body Parts List, 1933 and 1934 Ford	8.00
V-34	Chassis Parts List, 1928 to 1937 Ford	30.00
V-35	Body Parts List, 1935 and 1936 Ford	11.00
V-37	Body Parts List for 1937 and 1938 Ford	11.00
V-38	Chassis Parts List, 1938-41 Ford	20.00
V-39	Body Parts List for 1939 and 1940 Ford	11.00
V-40	Operator's Manual "F" Series Truck 1951-52	8.50
V-41	Commercial Car and Truck 1932-37	10.00
V-42	Owner's Reference Book for 1942 Ford	8.00
V-43	Commercial Car and Truck, 1938-41	9.00
V-44	Ford Body Part Manual 1944-52	38.00
V-46	Operator's Manual 1946 Ford V8	7.00
V-47	Operator's Manual 1947 Ford V8	7.00
V-48	Operator's Manual 1948 Ford V8	7.00
V-49	Mechanic's Handbook, 1949, V8 and 6 Car	7.00
V-50	Operator's Manual 1950 Ford V8	6.00
V-51	Operator's Manual 1951 Ford V8	6.00
V-53	Ford Body Parts List 1953-1957	34.00
V-55	Ford Shop Manual 1955	28.00
M-1	Mercury Reference Book for 1939	5.00
P-10	Ford V8 Service Bulletins, 1932-1937	25.00
P-14	Ford Service Bulletins, 1938-40	25.00
P-15	Ford 1946-48 Sales-Data-Access'y	18.00
C-11	Ford Owner's Handbook, Repair and Maint.	12.00
P-17	Ford Service Bulletins 1941-48	25.00
P-18	Ford Shop Manual 1949-51	40.00
P-52	Ford Shop Manual 1952-54	40.00
TR-53	Truck Operator's Manual	6.00
TR-54	Truck Operator's Manual	6.00
TR-55	Truck Operator's Manual	6.00
TR-56	Truck Operator's Manual	6.00
P-23	Ford Pickups 1932-52 Pictorial	20.00
P-24	Ford in the Thirties	5.00
P-25	Ford Flathead	20.00
P-27	California Bill's Ford Speed Manual 32-53	15.00

HARDWARE, TRIM & PAINT

RMB	Antique Ford Repaint Manual, 1928-1936	16.00
PF-2	Hardware and Trim Catalog, Ford 1928-38	12.00
P-26	EARLY FORD 32-42 ALBUM	20.00
V-25	Early V8 Refurbish Manual 1937-48	16.00
V-91	1935-36 Columbia Instructions	5.00
V-92	1937 Columbia Instructions	5.00
V-93	1940 Columbia Instructions	5.00
V-94	1935-40 Columbia Parts List	5.00
V-95	1941-48 Columbia Parts List	5.00
V-96	1941-48 Columbia Instructions	5.00
V-124	REBUILDING THE FAMOUS FLATHEAD 1932-53	15.00

FORD SHOP MANUALS

SM-1	1932-41 Service Handbook, 240 pages, 102 illustrations, wiring diagrams, passenger & commercial, 8 1/2 x 11	25.00
SM-2	1939-48 Ford & Mercury Shop Manual, passenger & commercial, covers all phases of repair, 475 pages, 550+ illustrations	33.50
SM-3	1949-1952 F Series Truck Shop Manual, 480 pages, 900+ illustrations, 8 1/2 x 11. Great Manual for the restorer or owner	35.00
SM-4	1953-54 F Series Truck Shop Manual, 550 pages, 900+ illustrations, 8 1/2 x 11 Great for the restorer or owner	35.00
SM-5	1949-51 Lincoln/Mercury Shop Manual, 8 1/2 x 11", 860 pages with Auto Transmission Supplement. The Most Complete Shop Manual available for Lincoln/Mercury Cars	39.95
SM-6	1956 Ford F100 Shop Manual, 432 pages	35.00
SM-7	1956 Ford T-Bird Shop Manual, 367 pages	30.00
SM-8	1954-55 Ford Truck Shop Manual, 416 pages	35.00
PM-1	Chassis Parts & Accessories Manual 49-53, Illustrated 496 Pgs, Pass Cars	40.00
PM-2	Chassis Parts & Accessories Manual 48-54, Pickup Trucks, Illustrated 656 pgs	50.00
PM-3	Mercury Chassis Parts Catalog 39-48, 243 pages	35.00
PM-4	Mercury Chassis Parts Catalog 49-52, 399 pages Illustrated	55.00
PM-5	Mercury Body Parts Catalog 46-48	20.00
PM-6	Mercury Body Parts Catalog 1950	20.00

P-13 THE EARLY FORD V8 AS HENRY BUILT IT. \$39.95

With 220 pages, 300 photos, mostly from Ford archives, this book covers 1932-38 in great, great detail. Body color data, interior trim data, design and development facts. No true 1932-38 hobbyist should be without this book.

ACTUAL COLOR PAINT CHIPS

*1928-36 order book RMB at left.
1937-48 order book V-25 at left.*

