

\$ 4.00

1928-1931
Model "A" Parts

EARLY FORD VS SALES, INC.

— 2012 Catalog —



*Visit our Website & Order from our
Complete On-Line Catalog*

www.earlyford.com

Fax Your Order 24hrs a day: 1-864-845-7886

Information Line: 1-864-845-7878

E-mail: earlyfordsouth@msn.com

Toll Free Order Line: 1-800-417-3347

Genuine Parts and Quality Reproductions

Providing Quality Service Since 1993

Early Ford V8 Sales Inc. was founded in 1993 and has been providing quality Ford auto parts and accessories to customers ever since. To date we have grown into a 12,000 square foot warehouse with over 10,000 items.

We are a full line provider of reproduction and original parts for 1928-1966 Ford passenger and pickup trucks.

Our entire catalog is now available online for your convenience. Search our extensive database of Ford products and accessories!

Our web site will help you learn more about our company, find answers to your most common questions, and order any of our over 4,500 parts and accessories.

If you don't see what you are looking for call us and ask. Our staff is always ready to assist you with technical questions.

Early Ford V-8 Sales, Inc. is a full line supplier of 1928 through 1966 Early V-8 parts as well as Quality Model "A" Ford parts. We publish four catalogs as follows:

Early Ford Model "A"

1928-1931 Model "A" Parts

Early Ford V-8 Catalog

1932-1948 Passenger & 1932-1947 Pickup

Early Ford V-8 Catalog

1949-1956 Passenger & 1948-1956 Pickup

Early Ford V-8 Catalog

1957-1966 Pickup Trucks



*When you call during
business hours you
will always speak
to knowledgeable
personnel,
no phone menus,
no automated responses.*

Contact Information

OFFICE HOURS (Eastern Time):

Monday - Friday, 8 a.m. - 5 p.m.

Store sales during the above listed hours and by appointment at mutually convenient times on the weekends. Please call ahead to make sure we will be available.

TOLL FREE ORDER:800-417-3347

CUSTOMER SERVICE: 864-845-7878

FAX: 864-845-7886

ORDER ON-LINEEARLYFORD.COM

Call before 4:00 pm for same day shipping. You may also fax your order using our convenient order form located in the back of the catalog.

Fax service is available 24 hours.

Early Ford V-8 Sales, Inc.

101 Hollow Drive
Piedmont, SC 29673

Contact Information



Early Ford V-8 Sales, Inc.

101 Hollow Drive
Piedmont, South Carolina 29673

We are a full line supplier of Quality Model "A" Ford parts. As well as Early V-8 parts 1932 through 1964. We publish four catalogs as follows:

- | | | |
|---|---|-------------------------------|
| 1 | 1928-1931 Passenger & Pickup | <i>Model "A" Parts</i> |
| 2 | 1932-1948 Passenger
1932-1947 Pickup | <i>Early Ford V-8 Catalog</i> |
| 3 | 1949-1956 Passenger
1948-1956 Pickup | <i>Early Ford V-8 Catalog</i> |
| 5 | 1957-1966 Pickups | <i>Trucks 1957-66 Catalog</i> |

The above catalogs are also available on-line at www.earlyford.com.

Phone: 864-845-7878

Fax: 864-845-7886

Orders: 800-417-3347

E-Mail: earlyfordsouth@msn.com

Website: www.earlyford.com

TELEPHONE ORDER SERVICE – 864-845-7878 & 800-417-3347

E-mail: earlyfordsouth@msn.com

We are available for telephone orders Monday through Friday, 8 a.m. - 5 p.m. You may also fax your order using our convenient order form located in the back of the catalog. Fax service is available 24 hours, 864-845-7886.

STORE SALES

Store sales during the above listed hours and by appointment at mutually convenient times on the weekends. Please call ahead to make sure we will be available. Orders may also be placed using our on-line catalog order at WWW.EARLYFORD.COM

PAYMENT

We accept check, money orders, VISA, Mastercard and Discover. We will also ship UPS COD, however, there is an additional \$9.00 charge. There is a \$20.00 charge for any returned check.

SHIPPING

Most orders are shipped VIA UPS and U.S. Mail. Large items, such as front fenders are shipped via truck, freight collect. * **FREE SHIPPING** on orders over \$400.00, **except fenders and oversize items.** Continental US only.

DAMAGE

Should a parcel be received with contents damaged or evidence that it had been opened and something is missing, notify UPS. Keep the parcel at the delivery address and do not destroy the carton. UPS will have a claims person come to view the package or have a driver pick it up and return it to their claims department. UPS will process your claim and contact us to arrange for another shipment.

GUARANTEE

All of our parts are guaranteed to satisfy if used as originally intended. All parts are guaranteed to be free of manufacturing defects. In any and all cases our liability shall not exceed the cost of the part purchased.

RETURN POLICY

Parts may be returned for any reason providing they have not been used or damaged by you, within 60 days of shipment for exchange, credit or refund. When returning a part please include a copy of the original invoice with a brief explanation as to why the part is being returned. Please contact us first before returning a part. COD returns will not be accepted.

PRICE CHANGES

Because our suppliers change prices throughout the year it may be necessary for us to change a price accordingly. If the new price is not acceptable to you please return the part for a complete refund.

PARTS

We buy as many American made parts as possible. We always put quality first when selecting any part and do our utmost to provide complete customer satisfaction. In addition to our reproduction parts we have a good selection of used and NOS parts. Please call or write with your needs. Our inventory is constantly expanding to better serve our customers and we are always interested in hearing from you as to how we can provide better service.

Your business is greatly appreciated and we thank you.

Lou & Carole Grosso

**CALL BEFORE 3:00 PM FOR SAME DAY SHIPPING
FAX YOUR ORDER 24 HRS A DAY 864-845-7886**

Index

A

Accessories	6
Ammeter	24

B

Bezels & Escutcheons	36
Body To Frame Wood Block Sets	13
Brakes	7
Bumper Arms From Frame	33
Bumper Installation Hardware	33
Bumpers	33

C

Carburetor	22
Center Bumper Clamp	33
Choke And Mixture Adjusting Rod	23
Closed Cab Pickup	40
Closed Car Top Area	38
Clutch	18
Coil	25
Commercial Running Boards	31
Control Rods	23
Cooling System	18
Cowl & Firewall Area	31
Cowl Lamps	27
Cranks	35
Crankshaft Area	16
Cutout & Ammeter	24
Cylinder Head	16

D

Dash & Engine Wiring	29
Distributor	25
Dome Lamp	29
Door Area Closed Cars	37
Door Area Open Cars	37
Door Bumper Kits	38
Door Check Straps	37
Door Hardware	37
Door Header Metal Strips	37
Door Hinge Pins	37
Door Latch	37
Door Misc.	37
Door Sill Plates	37
Door Top Cover Plates	37
Door Weatherstrip	38
Dust Caps	7

E

Emergency Brake	8
Engine Area	15
Engine Area	18
Engine Enamel	16
Engine Gaskets	16

F

Fan & Fan Belt	20
Fender Braces	39
Fender Wells	39
Fender Welt & Gas Tank Welt	39
Fenders	39
Floor Mats	35
Floorboards and Mats	34
Flywheel Area	16
Front Axle	9
Front Motor Mount	15
Front Spring Area	15
Fuel System	20
Fuel Valves	21

G

Gas Caps and Gaskets	21
Gas Gauge	22
Gas Lines	21
Gas Tank Area	20
Generator	24
Glass Bottom Metal Channel	36
Glass Style Sediment Bowl	21
Grease Fittings	38

H

Headlamp	26
Headlamp Switch	31
Hood	32
Horn	29
Hub Caps	7

I

Ignition Switch	24
Inside Door Handles	37
Inside Mirrors	33
Instrument Panel	24
Iron Sediment Bowl	21
Iron Style Sediment Bowl	21

L

Lacing	31
Large Bumper Clamps	33
Light Switch & Horn Rod	12

M

Manifolds	22
Mirrors	33
Model A Books	41, 42
Motormeters & Flip Top Radiator Caps	6
Mounting Hardware & Braces	31
Muffler	15

Index

O

Oil Pump & Oil Pan Area	16
Other Harnesses	29
Outside Door Handles	37
Outside Mirrors	33

P

Patent Data Plates	34
Pedals & Pads	23
Pickup Bed	40
Pickup Truck	40
Pistons, Rings, Connecting Rods	16

Q

Quail Radiator Cap	6
--------------------------	---

R

Radiator Caps, Petcocks & Installation Items	18
Radiator Hoses	20
Radiator Shell Area	20
Radiator Splash Apron	31
Radiator Stone Guard	6
Radius Rod	11
Rear Axle	12
Rear Crossbar & Spare Wheel Guard	34
Rear Motor Mount Area	15
Rear Spring Area	15
Rebuilt Engines	15
Rumble Seat	38
Rumble Seat Hardware	38
Running Board Mat And Trim	31
Running Board Splash Apron	31
Running Board Step Plates	6
Running Boards	31
Running Boards & Related Stuff	31

S

Shims	16
Shock Absorbers	34
Side Channels & Regulator Gears	36
Socket Repair Wires	30
Spare Tire Covers	6
Spare Wheel	7
Spark Plugs	26
Speedometer	33
Spring Cover Set	15
Springs	15
Starter	24
Steering	11
Steering Wheel	11
Stop Lamp Switch	30

T

Tail Lamp	28
Tail Lamp Mounting Brackets	29
Terminal Box	31
Tillotson Carburetor	23
Timing Cover	16
Timing Gear	16
Tires & Tubes	6
Top	38
Transmission	18
Trunk Rack	6
Turn Signals	28

V

Valves	16
--------------	----

W

Water Inlet (Side Of Engine) & Lower Drain Pipe	20
Water Outlet (Gooseneck) Area	20
Water Pump Area	20
We Buy And Sell Passenger Cars & Pickups.	29
Wheel Area	6
Wheel Bearings, Front & Rear	7
Wheel Grease Seals	7
Wheel Nuts & Bolts	6
Window Channel Kits	35
Window Garnish Moldings, Pair	36
Window Gasket Rear Window	36
Window, Coupe Quarter	36
Windows Side & Rear	35
Windshield Wiper	32
Windshield/Closed Car	35
Windshield/Open Car	35
Windwing Brackets	6
Wire Clips	29
Wiring	29

Z

Zenith Carburetor	22
-------------------------	----

ACCESSORIES

Items listed here were accessory items that were available from your ford dealer when your model a was brand new (Except the thermo-quail). All are fully authentic for use today.

SPARE TIRE COVERS

A-1395-A1	SPARE TIRE COVER, black, Ford script, 21 tire size	28-29	29.95
A-1395-A2	SPARE TIRE COVER, tan, Ford script, 21 tire size	28-29	29.95
A-1395-B1	SPARE TIRE COVER, black, Ford script, 19 tire size	30-31	29.95
A-1395-B2	SPARE TIRE COVER, tan, Ford script, 19 tire size	30-31	29.95

RUNNING BOARD STEP PLATES

A-16400	RUNNING BOARD STEP PLATES, polished aluminum, with Ford insignia. Sold per pair	28-31	50.00
A-1090-S	BOLT & NUT SET to install above step plates	28-31	1.40
NE-16400-DLX	RUNNINGBOARD STEP PLATES w/o insignia	38-31	45.00

WINDWING BRACKETS

A-18200-A	WINDWING BRACKET SET w/glass pattern, open cars	28-29	69.95
A-18200-B	WINDWING BRACKET SET w/glass pattern, open cars	30-31	69.95
A-18200-C	WINDWING BRACKET SET w/glass pattern, closed cars, of any year having a vertical windshield	28-31	69.95

A chrome plated, die cast, bracket set with all hardware & pads.

MOTORMETERS & FLIP TOP RADIATOR CAPS

A-18352-AR	MOTORMETER w/wreath rim, on FLIP TOP CAP	28-29	69.95
A-18352-B	MOTORMETER w/wreath rim, on FLIP TOP CAP	30-31	69.95
A-18353-AR	MOTORMETER w/cap.plain	28-29	69.95
A-18353-B	MOTORMETER w/cap.plain	30-31	69.95
A-18354-W	MOTORMETER only, wreath style chrome rim	28-31	59.95
A-18354-RKSS	MOTORMETER REPAIR KIT (2 beveled glass lenses, 2 lens gaskets, 8 screws for rim)	28-31	12.50
A-18355-B	FLIP TOP CAP only, chrome	30-31	39.95
A-18360-W	WINGS, 6 1/2 span, chrome	28-31	22.50
A-18360-WB	WINGS, 6 1/2 span, brass	28-31	22.50
A-18361-N	MOTORMETER NUT (brass stem jam only)	28-31	0.75
A-18361-MM	MOTORMETER STEM GASKET	28-31	0.75
A-18361-R	GASKET, red, between halves of flip top cap	28-31	1.00
A-18361-W	GASKET, black, lower part of flip top cap to radiator	28-31	1.00
A-18354-WR	MOTORMETER WREATH RIMS, a pair for replacement use	28-31	8.95
A-18355-TQ	THERMOMETER UNIT FOR QUAIL ...	28-31	19.95

QUAIL RADIATOR CAP

A-18385-A	QUAIL CAP	28-29	59.95
A-18386-A	THERMO-QUAIL CAP	28-29	69.95
A-18385-B	QUAIL CAP	30-31	59.95
A-18386-B	THERMO-QUAIL CAP	30-31	69.95

The beautiful flying quail radiator cap lends the final touch to your restoration. It is well detailed, highly chromed, and an exact copy of an original Ford accessory. The thermo-quail adds a built-in temperature gauge.

RADIATOR STONE GUARD

A-18700-A	STONEGUARD (Stainless Steel) w/mounting hardware	28-29	139.95
A-18700-B	STONEGUARD (Stainless Steel) w/mounting hardware	1930	139.95
A-18700-C	STONEGUARD (Stainless Steel) w/mounting hardware	1931	139.95
A-18700-SK	STONEGUARD HARDWARE KIT only	28-31	15.00

A stainless steel stoneguard will enhance the appearance of your car while protecting your radiator and its fins from stone damage.

TRUNK RACK

A-18575	TRUNK RACK, chrome plated with wood trim	28-31	125.00
A-18576-A	ADAPTOR BRACKETS, required to mount a trunk rack on a car with a rear mounted spare tire, pair	28-29	13.50
A-18576-B	ADAPTOR BRACKETS, required to mount a trunk rack on a car with a rear mounted spare tire, pair	30-31	13.50

TIRES & TUBES

We can supply FIRESTONE, UNIVERSAL or LESTER brand tires. Please call to discuss.

TU-1	TUBE with rubber stem, 21	28-29	15.95
TU-1M	TUBE with metal stem, 21	28-29	22.95
TU-2	TUBE with rubber stem, 19	30-31	15.95
TU-2M	TUBE with metal stem, 19	30-31	22.95
TU-3	TUBE with rubber stem, 20 truck		17.95
TU-3M	TUBE with bent metal stem, 20 truck		22.95
TU-F	FLAP for 20 truck tube		11.95
A-1024	RIM LINER, 19 OR 21	28-31	1.95
A-1500-SC	DUST COVER (short nickle)	30-31	8.50
A-1500-SJ	DUST COVER (long nickle)	28-29	8.50
A-1511-A	BRIDGE WASHER	28-29	1.65
A-1511-B	BRIDGE WASHER	30-31	1.95
A-1512	TIRE STEM LOCK NUT	28-31	1.50
A-1500-W	VALVE CAP ORIGINAL STYLE	30-31	2.95

WHEEL AREA

WHEEL NUTS & BOLTS

A-1012-B	WHEEL NUT, cadmium plated, each	28-31	1.25
A-1012-C	WHEEL NUT, chrome plated, each	28-31	1.50
A-1012-WC	WHEEL WASHER	28-31	0.75
A-1012-WS	HUB NUT WASHER, stainless steel	28-31	0.50
A-1107	BOLT for front hub, each	28-31	1.00
A-1107-R	BOLT for front hub (repro hubs only), each	28-31	1.00
A-1118	BOLT for rear hub, standard size, each ...	28-31	1.00
A-1118-OS*	BOLT for rear hub, oversize, each	28-31	1.00

*Bolts are heat treated over-sized shank to accommodate wear in used hub/drums, will press fit a 21/32 inch hole.

A-1118-R	BOLT for rear hub (repro hubs only), each	28-31	1.00
A-1109-T	BOLT TOOL for swedging new hub bolts into place	28-31	9.95

We can special order AA dual wheel inner nuts & outer nuts.

HUB CAPS

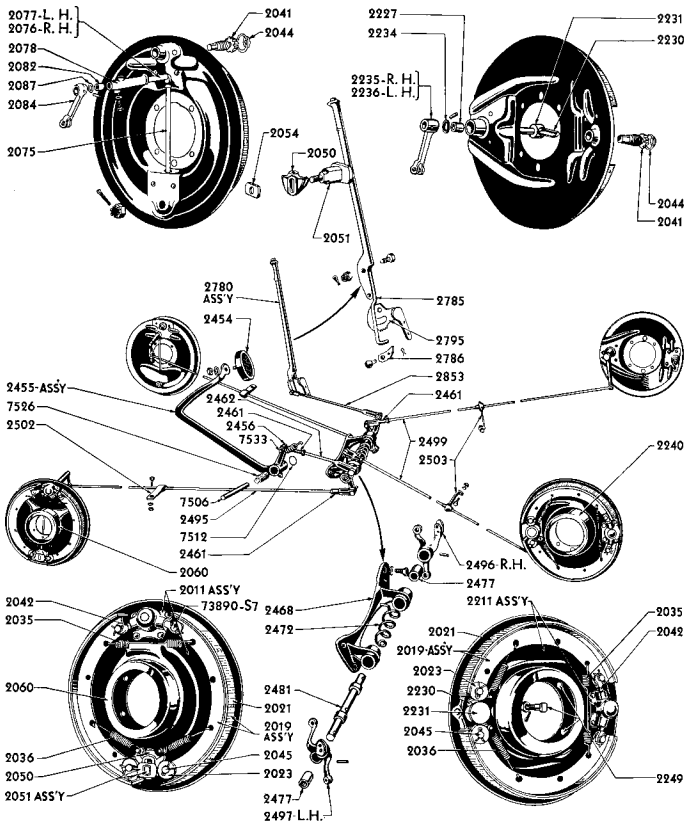
A-1130-AR	HUB CAP for the early AR wheel	1928	16.95
A-1130-BSS	HUB CAP, stainless	28-29	10.95
A-1130-DC	HUB CAP, chrome plated, script	30-31	8.95
A-1130-DS	HUB CAP, stainless steel, script	30-31	9.95
A-1130-DL	HUB CAP, stainless steel with liner, as original	30-31	10.95

DUST CAPS

A-1138	DUST CAP for front hub, press on style .	28-31	2.25
A-1139	DUST CAP for front hub, screw on style	28-31	2.95

WHEEL GREASE SEALS

B-1175	GREASE SEAL, rear hub	28-31	3.95
BB-1175	GREASE SEAL, rear hub AA	30-31	7.95
B-1180	SNAP RING for A-1175 seal	28-31	1.25
B-1183	FIBRE GASKET, under axle nut at rear drum	28-31	0.85
B-1190	SEAL, metal, front wheel inner	28-31	5.95



A-1195	WASHER, metal, front wheel hub grease retaining	28-31	1.50
--------	--	-------	------

WHEEL BEARINGS, FRONT & REAR

B-1201	BEARING, front wheel inner, Timken	28-31	16.95
B-1202	RACE, front wheel inner, Timken	28-31	11.95
B-1216	BEARING, front wheel outer, Timken	28-31	15.95
B-1217	RACE, front wheel outer, Timken	28-31	8.95
B-1225	BEARING, rear wheel	28-31	29.95
A-1193	NUTS, pair, front axle outer	28-31	1.50
B-4242	NUTS, pair, rear axle outer	28-31	4.25

AA Truck bearings available on special request.

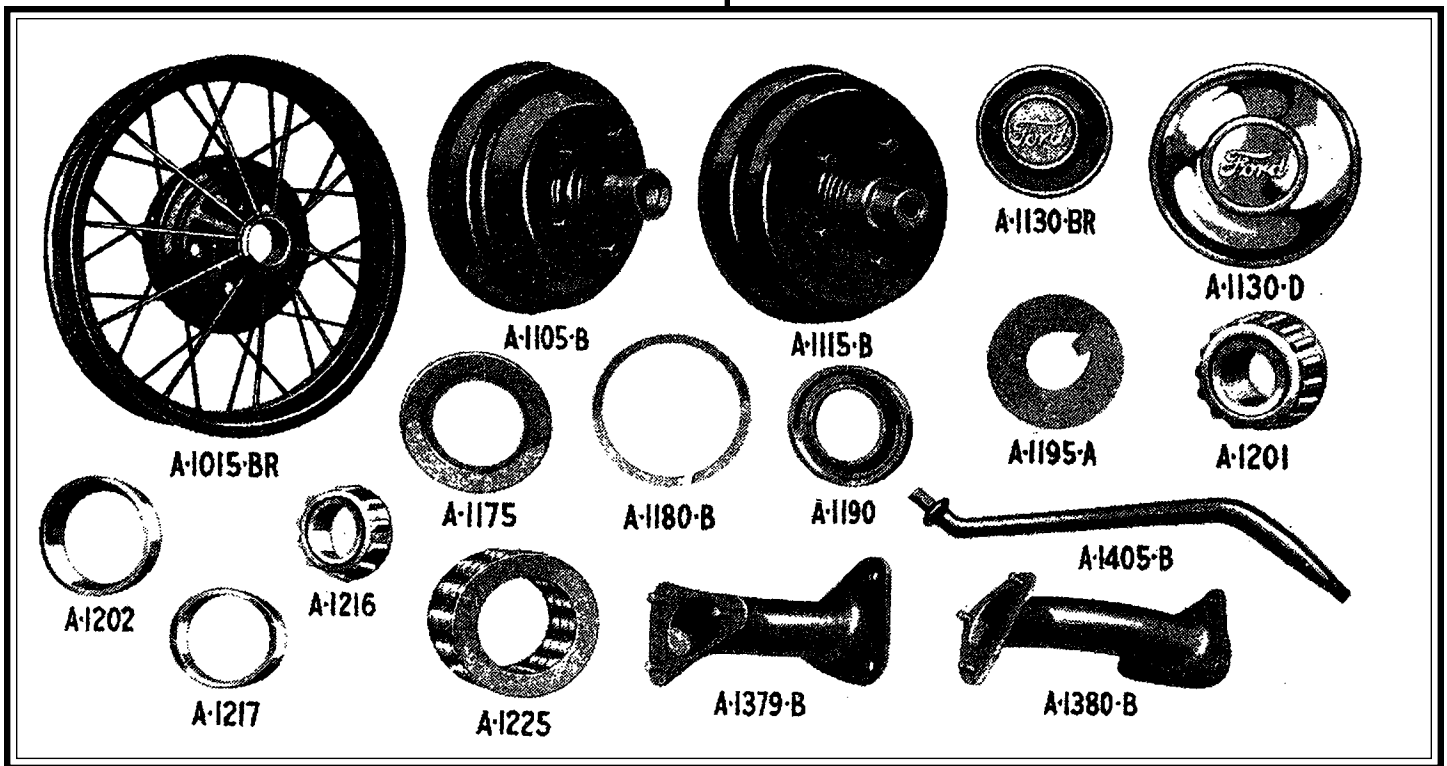
SPARE WHEEL

A-1379-B	SPARE TIRE CARRIER, REAR MOUNT coupe/roadster	30-31	59.95
A-1380	SPARE TIRE CARRIER BLANK OFFSET (when carrier is not USA)	28-31	7.50
A-1400-A	SIDEMOUNT SPARE WHEEL PLATE .	28-29	13.95
A-1400-B	SIDEMOUNT SPARE WHEEL PLATE (specify Right or Left)	30-31	13.95
A-1401	INNER SUPPORT BRACKET for A-1379-B carrier	30-31	8.10
A-1405-A	SIDEMOUNT ARM, FRAME BRACKET & WHEEL PLATE set	28-29	48.95
A-1405-L	SIDEMOUNT ARM, FRAME BRACKET & WHEEL PLATE set, LEFT	30-31	48.95
A-1405-R	SIDEMOUNT ARM, FRAME BRACKET & WHEEL PLATE set, RIGHT	30-31	48.95
A-1450-MB	SIDE MOUNT TO FRAME MOUNTING BOLTS	28-29	3.50
A-1410	GROMMET for above thru apron	28-31	1.25
A-1448	BOLT for repair on sidemount spare wheel plate	28-31	1.40
A-1449	STUD, rear spare bracket to car body	28-31	1.90
A-1450	REAR SPARE TIRE STUD NUT (to adjust angle of tire)	28-31	0.95

BRAKES

A-1125-BB	BRAKE DRUM REINFORCING BANDS, 4 pce.	28-31	125.00
A-1125	FRONT BRAKE DRUMS, cast iron	28-31	94.00
A-1126	REAR BRAKE DRUMS, cast iron	28-31	94.00
X-2000	HYDRAULIC BRAKE ADAPTOR SET, 4 spacers to adapt 39-48 backing plates to 28-36 spindles	28-31	23.95
A-2001-M	RELINED BRAKE SHOES, molded lining - 2 wheels, core chrg \$40 ..	28-31	40.00
A-2001-W	RELINED BRAKE SHOES, woven lining - 2 wheels, core chrg \$40 ...	28-31	50.00
40.00A-2010	ROLLER TRACK SET w/rivets, front	28-31	34.95
A-2011	ROLLER TRACK SET w/rivets, rear, also included 2 A-2230 and A-2231	28-31	90.00
A-2011-MB	BOLT KIT for front backing plates	28-31	13.95
A-2013	RIVET SET only, for roller tracks	28-31	2.95
X-2018	RIVET TOOL	28-31	33.95
A-2021-H	BRAKE LINING SET, woven, 4 pce w/rivets, 2 wheels	28-31	30.95
A-2021-MH	BRAKE LINING SET, molded with rivets for use on repro drums, 2 wheels	28-31	18.95
A-2022	RIVET SET, 80 pce, if you need extras ...	28-31	3.00
A-2023	ROLLER, brake shoe, 16 per set	28-31	14.40
A-2027	PIN, adjusting shaft, 8 per set	28-31	3.95
A-2035	BRAKE SPRING LONG, 4 per set	28-31	7.00
A-2036	BRAKE SPRING SHORT, 8 per set	28-31	7.00
A-2035/36-S	BRAKE SPRING SET, 4 Long 8 Short ...	28-31	12.95
A-2041	ADJUSTING WEDGE, each (need 4 per car)	28-31	8.95
A-2041-C	COVER for above wedge	28-31	1.25
A-2042	BRAKE ADJUSTING SHAFT	28-31	5.45
A-2045	PIN, brake shoe roller, 8 per set	28-31	3.25
A-2050	OPERATING WEDGE, front, each	28-31	19.95
A-2051	WEDGE STUD, front, each, w/washer	28-31	7.95
ACC-2001	BRAKE FLOATER KIT, allows shoes to equalize to give 100% contact, pair	28-31	28.95
A-2051-MB	FRONT BRAKE WEDGE STUD NUT ...	28-31	1.75

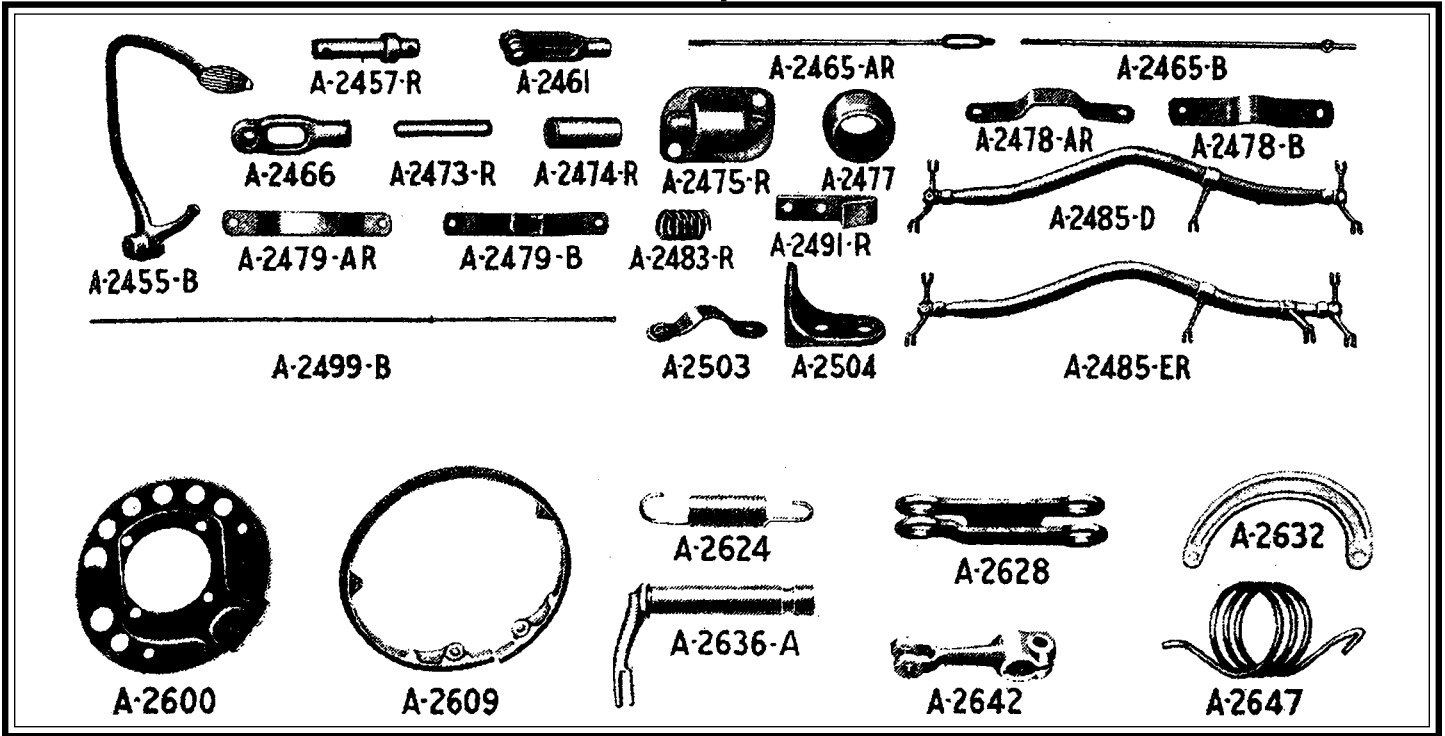
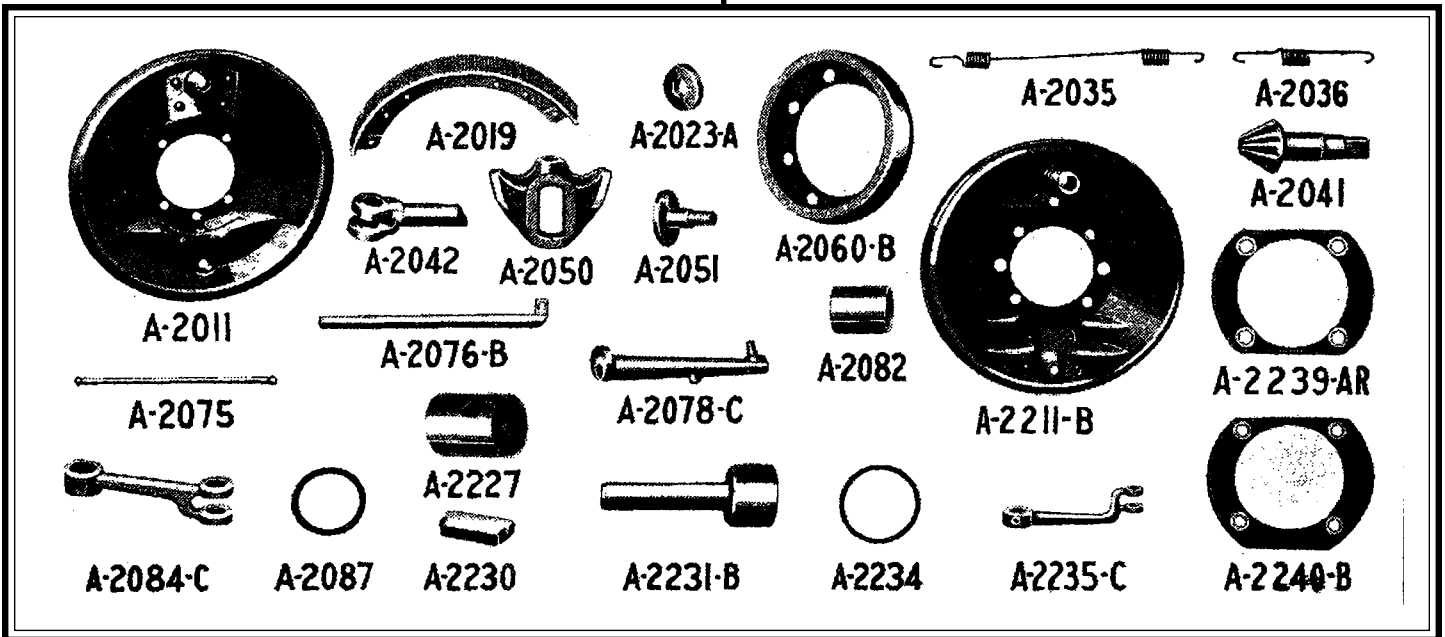
**E-mail: earlyfordsouth@msn.com
Website: WWW.EARLYFORD.COM**



A-2052	SHIMS, pair, to lengthen operating pins (Pills)	28-31	0.95
A-2075	OPERATING PIN, front brake, each	28-31	2.00
A-2082	BUSHING, front brake shaft, set of 4	28-31	2.95
A-2084	FRONT BRAKE LEVER	28-31	14.95
A-2085	PIN, front brake lever, pair	28-31	1.00
A-2087	DUST RING, front brake lever, pair	28-31	1.75
A-2227	BUSHING, rear brake camshaft and e/brake toggle lever, set of 4	28-31	6.95
A-2230	CAM, rear brake, each	28-31	7.95
A-2231	CAMSHAFT, rear brake, each	28-31	10.95
A-2234	RING, rear brake camshaft, pair	28-31	0.95
A-2238	LEVER PIN, rear brake, pair	28-31	0.85
A-2248-S	BOLT/NUT SET for one rear backing plate	28-31	15.95
A-2454	RUBBER PADS FOR CLUTCH AND BRAKE PEDAL	28-31	4.50
A-2457	STOP LINK PIN	28-31	2.25
A-2461	CLEVIS, 2 prong brake pedal to cross shaft (each)	28-31	3.00
A-2462	CLEVIS PIN, standard size	28-31	.50
A-2463	CLEVIS PIN, oversize	28-31	.50
A-2465	ROD, brake pedal to cross shaft	28-31	12.50
A-2466	EYE, clevis-eye type, for service brake rods	28-31	3.95
A-2469	LOCK NUT SET, 7 pce, for brake rod ends	28-31	0.95
A-2478/9	CROSS SHAFT BRACKETS, set of 4	28-31	10.95
A-2478-B	BOLT SET for above brackets	28-31	4.50
A-2477	BUSHINGS for cross shaft, bronze, pair	28-31	10.50
A-2477-S	SPLIT BUSHINGS for cross shaft, bronze, each	28-31	5.00
A-2477-N	NYLON BUSHING CROSS SHAFT, pr.	28-31	3.95
A-2499	BRAKE ROD, front or rear, each	28-31	14.00
A-2503-BS	BRAKE ROD ANTI RATTLE SET, spring type, 6 pce	Late 31	10.50
A-2504-AR	BRAKE ROD ANTI RATTLE SET, 6 pce (flat)	28-31	12.95
A-2504-MB	BOLT SET to install above	28-31	2.00

EMERGENCY BRAKE

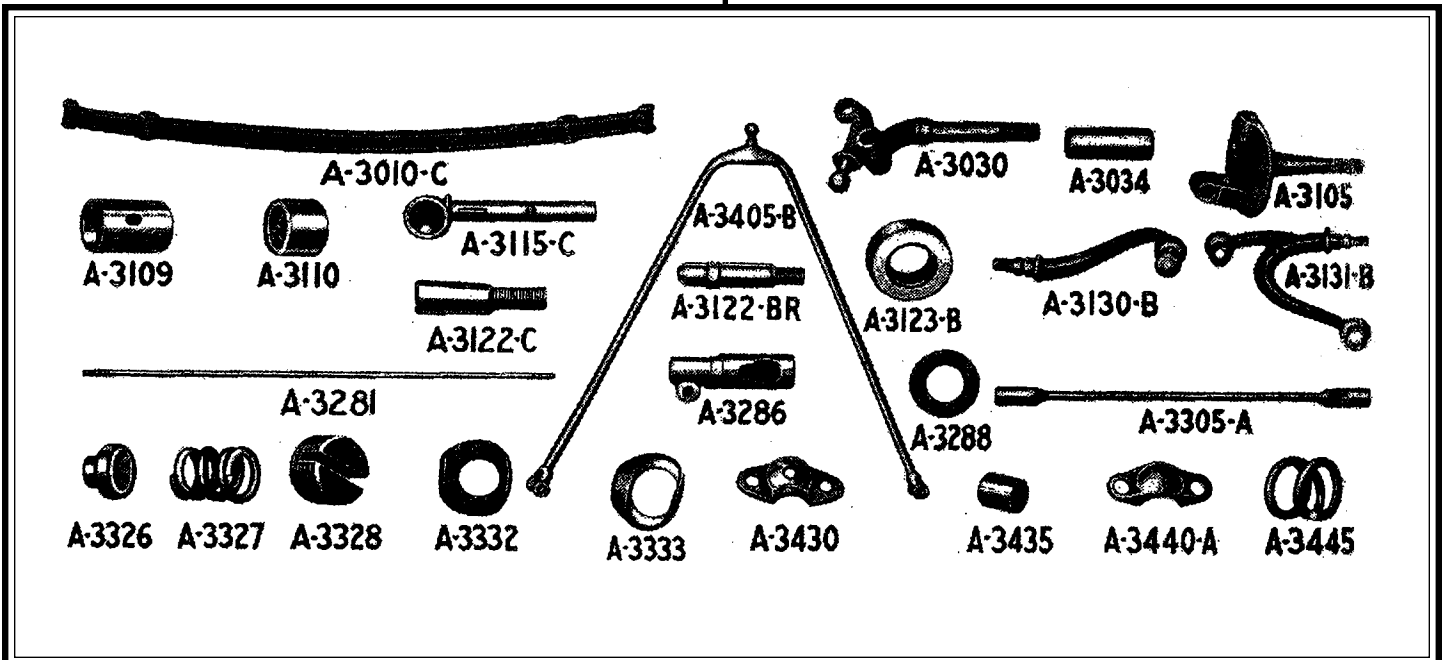
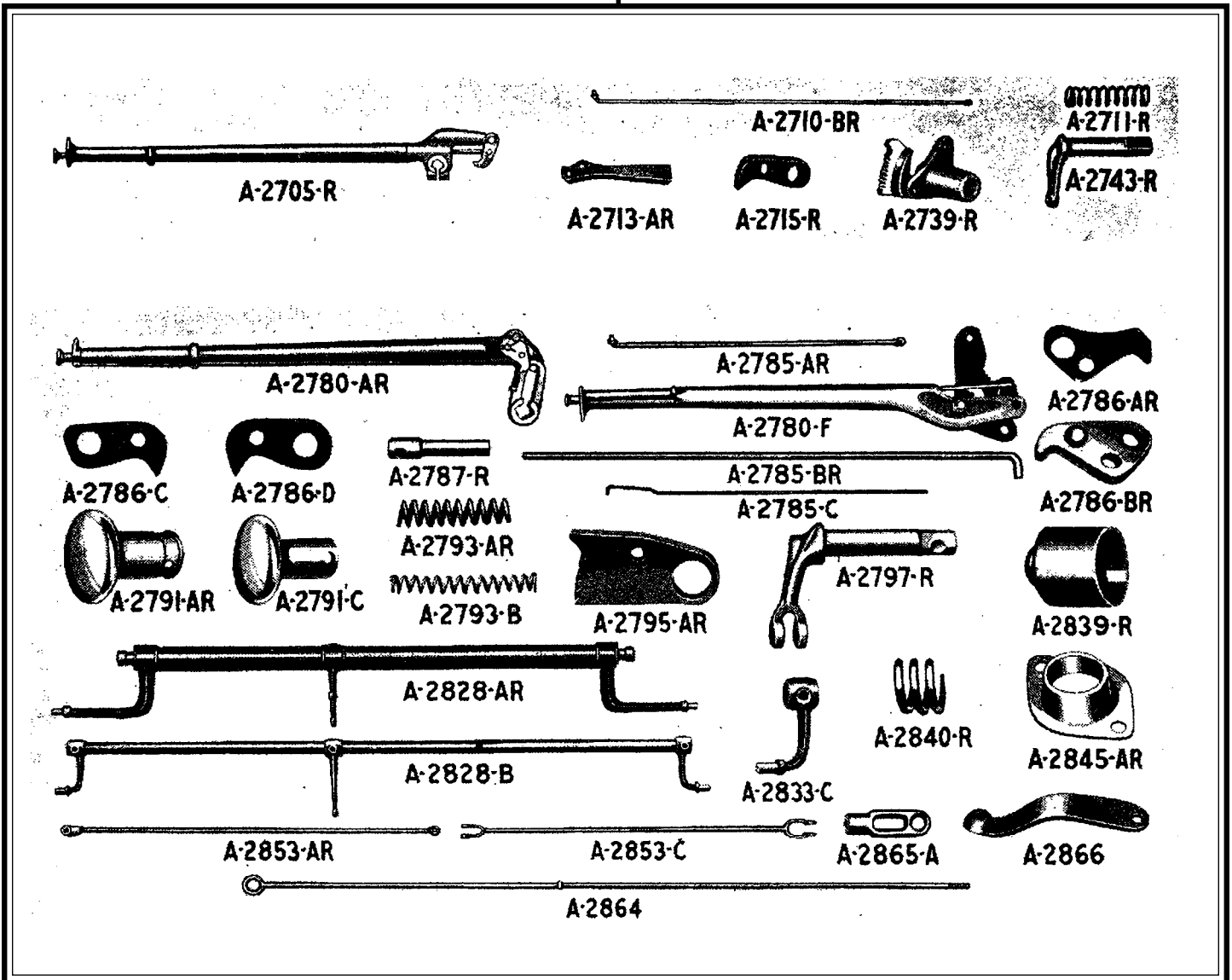
A-2609	EMERGENCY BRAKE BAND	28-31	29.95
A-2609-L	EMERGENCY BRAKE BAND	28-31	49.95
	relined-ready to install		
A-2620	LINING SET w/rivets	28-31	29.95
A-2624	RETURN SPRING SET, 4 pce.	28-31	2.95
A-2628	TOGGLE LINK, each	28-31	7.95
A-2632	EMERGENCY BRAKE LINK	28-31	17.95
A-2636	TOGGLE LEVER, each	28-31	24.95
A-2633-S	TOGGLE LEVER MNTG PIN SET	28-31	2.80
A-2642	EMERGENCY BRAKE ARM, Right (w/bolts and key)	28-31	15.95
A-2643	EMERGENCY BRAKE ARM, Left (w/bolts and key)	28-31	15.95
A-2644-S	MOUNTING SET, bolts and keys to mount e-brake arm	28-31	1.95
A-2646/7	LEVER SPRINGS, pair (1 right, 1 left) ...	28-31	2.00
A-2780-A	EMERGENCY BRAKE HANDLE chrome, push button	28-29	89.95
A-2780-B	EMERGENCY BRAKE HANDLE, squeeze style for 1928 and early 1929, front of shift	28-29	89.95
A-2780-C	EMERGENCY BRAKE HANDLE, push button, for right of shift	29-31	89.95
A-2785	EMERGENCY BRAKE PAWL ROD	28-31	8.95
A-2786	PAWL, for above handle	29-31	8.95
A-2791	BUTTON & PIN set for handle push button	29-31	3.10
A-2793	SPRING for handle	29-31	0.65
A-2794	EMERGENCY BRAKE / PAWL / ROD CLEVIS PIN	28-31	0.70
A-2795	RATCHET, with fine teeth	29-31	23.95
A-2853-A	ROD, handle to cross shaft, fork end & eye end style	28-29	11.95
A-2853-B	ROD, handle to cross shaft, fork at each end style	30-31	29.95
A-2839-R	BEARING, e/brake cross shaft, 28-early 29, pair	28-30	29.95
A-2864	EMERGENCY BRAKE ROD, each	28-31	14.95
A-2865	END for above rod, each	28-31	3.00
A-2845-MB	EMERG. CROSS SHAFT BOLT KIT	28-31	1.75

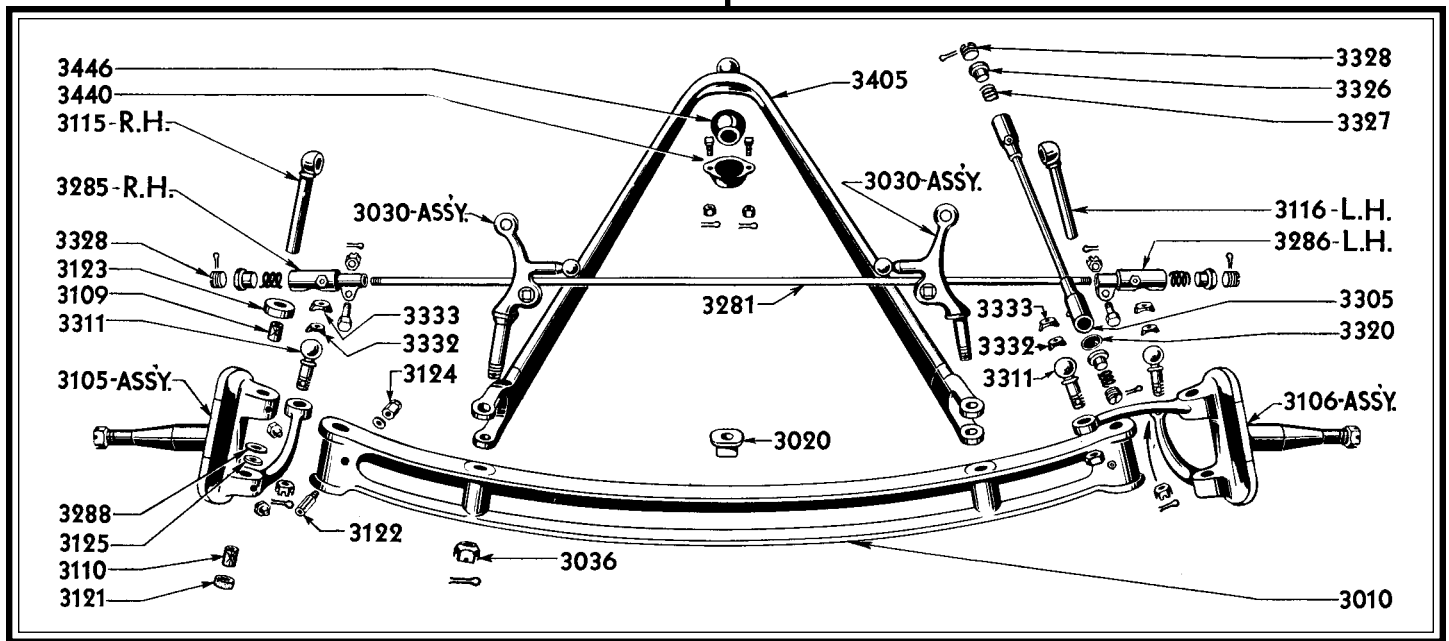


FRONT AXLE

A-3030	PERCH, w/nut & shackle bushing	28-31	57.50
A-3034	PERCH BUSHING for shackle	28-31	1.55
A-3036	PERCH NUT	28-31	1.95
A-3107	KING PIN SHIM, each	28-31	0.75
A-3110	BUSHING for spindle bolt (kingpin), each	28-31	1.70
A-3111	SPINDLE BOLT (KINGPIN) SET including kingpins, bushings, bearings, felts, washers, etc. complete for one car	28-31	95.00
X-3111	SPINDLE BOLT (KINGPIN) parts set. Full set for one car except the kingpins themselves	28-31	22.95
BB-3111	SPINDLE BOLT (KINGPIN) SET for AA truck	30-31	99.95

A-3121	FELT GREASE RETAINER small for brake pin	28-31	0.35
A-3123	BEARING FOR SPINDLE BOLT fits at top	28-31	3.50
A-3125	FELT GREASE RETAINER large for spindle bolt	28-31	0.50
A-3222	KINGPIN LOCKING BOLT & NUT	28-31	3.35
A-3281	TIE ROD, 44 rod, USA	28-31	17.50
A-3285	TIE ROD END, no internals, right	28-31	17.95
A-3286	TIE ROD END, no internals, left	28-31	17.95
A-3305	DRAG LINK	28-31	74.95
A-3305-S	TIE ROD and DRAG LINK INTERNAL PARTS KIT	28-31	12.95
A-3305-SE	TIE ROD and DRAG LINK INTERNAL PARTS KIT, teflon	28-31	36.95
A-3320	DRAG LINK SPACER	28-31	1.00
A-3332	SEAL SET, rubber, 4 piece, tie rod/drag link	28-31	2.95





A-3333	SEAL RETAINER SET, metal, 4 piece, for above seal	28-31	2.95
A-3311-T	BALL STUD, threaded	28-31	3.95
A-3311-W	BALL STUD, to be welded in place	28-31	3.75

RADIUS ROD

A-3425	FELT PACKING	28-31	0.95
A-3435	BUSHINGS, pair, for original style kit	28-31	1.75
A-3441	RETAINER PIN thru bell housing	28-31	0.95
A-3442	BOLTS, pair, for either style kit	28-31	6.95
A-3443	NUTS, pair, large ones for original style kit	28-31	2.00
A-3445	SPRING, pair, for original style kit	28-31	1.35
A-3446	BUSHING, RUBBER BALL STYLE, for replacement style kit	28-31	1.75
A-3429	RADIUS ROD KIT, REPLACEMENT style using rubber ball. A 9-piece set inc. cap, socket, bolts, nuts.	28-31	7.95
A-3439	RADIUS ROD KIT, ORIGINAL style. A 15 piece set with cap, socket, bolts, nuts, bushings, springs, pin, felt, etc.	28-31	15.95

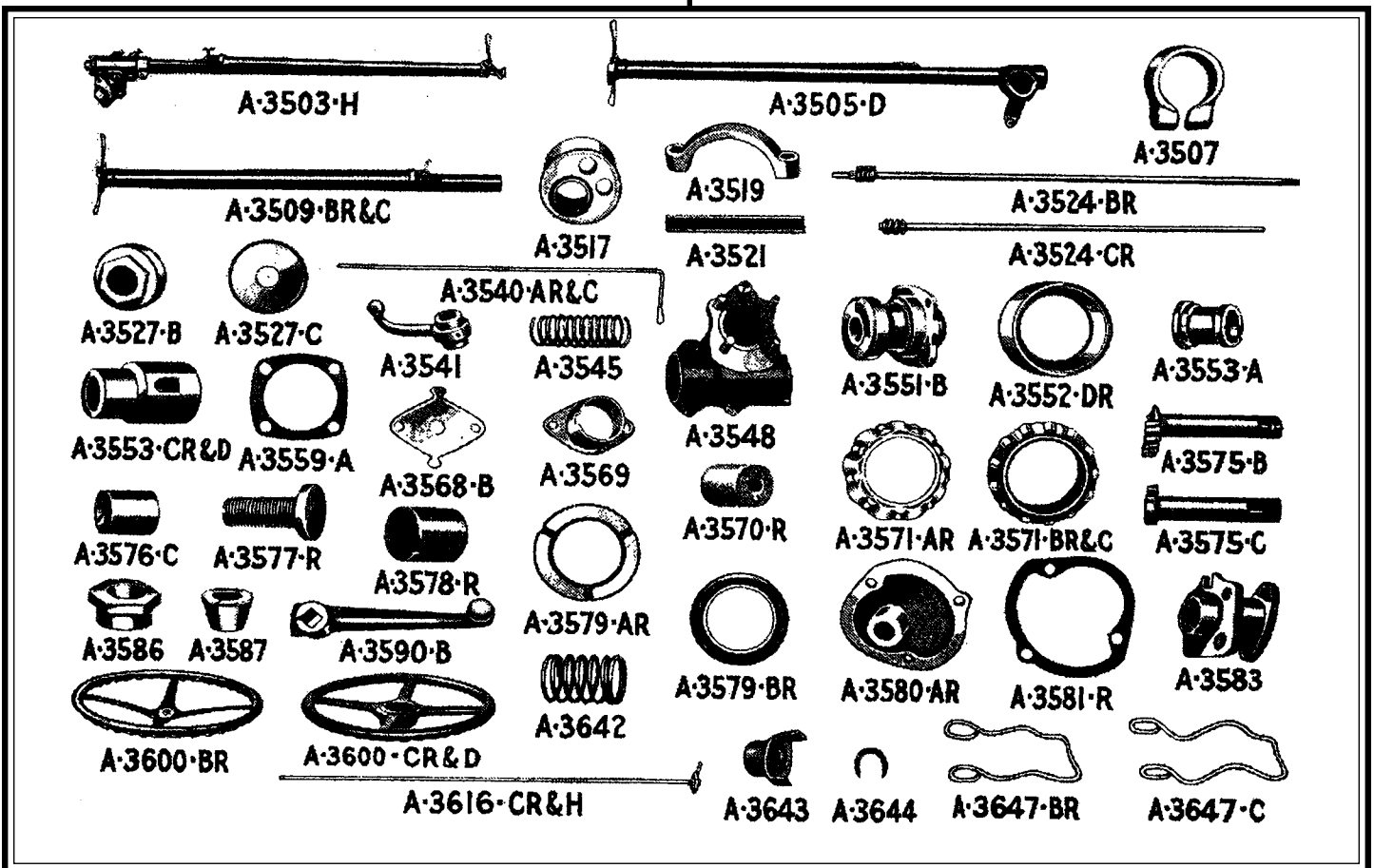
STEERING

A-3517-MB	UPPER BUSHING SCREWS, pr.	28-28	.50
A-3517	BUSHING, chrome, upper shaft	28-31	12.95
A-3519	LOWER BRACE for gas tank column bracket	28-31	12.95
A-3519-BT	BOLTS, special for above brace , pair	28-31	1.50
A-3521	RUBBER ANTI-RATTLE GASKET for above brace	28-31	0.95
A-3524-A	WORM GEAR, 7 tooth	28-29	52.95
A-3524-C	WORM GEAR, 2 tooth	29-31	64.95
A-3528	CORK SEAL, 2 tooth, not in gasket set	29-31	0.95
A-3529	BUSHING, for horn rod	28-31	2.25
A-3540-A	SPARK & THROTTLE RODS, 30 pair, chrome	28-29	40.00
A-3540-B	SPARK & THROTTLE RODS, 31 pair, chrome	30-31	40.00
A-3540-AN	SPARK & THROTTLE RODS, nickle	28-29	21.95
A-3540-BN	SPARK & THROTTLE RODS, nickle	30-31	21.95
A-3540-F	ANTI RATTLES, for rods above	28-31	0.70

A-3541	LEVERS for above rods, pr.	28-31	10.95
A-3542	PINS for above rods	28-31	.50
A-3545	SPRINGS for above rods	28-31	.85
A-3547-MB	BOLT SET, steering column to frame	28-31	8.95
A-3549	STEERING SECTOR TO FRAME SEAL (bore sector end .250 deep x 1.625)	28-31	2.75
A-3552	BEARING CUP, 2 tooth	28-31	13.95
A-3553-D	UPPER RACE, 2 tooth	28-31	34.95
A-3568	SPECIAL SEAL, 2 tooth, a lower housing plate with tube, prevents oily light switch ..	29-31	6.95
A-3569	LIGHT SWITCH BRACKET, die stamped cad plated	29-31	4.25
A-3569-MB	STEERING COLUMN PLATE BOLTS (Light Switch Bracket Bolts) 2-Tooth Sector, 2 bolt set	28-31	1.25
A-3571	WORM BEARING, 7 tooth (need 2)	28-29	11.50
BB-3571	WORM BEARING, 2 tooth (need 2)	29-31	10.95
A-3574-S	NEEDLE BEARING & O RING SET, (machine work is required), eliminates bushing and has seal to prevent oil leaks	29-31	15.95
A-3575-B	SECTOR, 7 tooth, USA made	28-29	89.95
A-3575-C	SECTOR, 2 tooth	29-31	99.95
A-3576	BUSHINGS, pair, for 7T or 2T	28-31	3.85
A-3577	SECTOR THRUST SCREW	29-31	3.50
A-3578	JAM NUT	28-31	.85
A-3579	SECTOR THRUST WASHER, 2 Tooth ..	28-31	1.95
A-3581-A	GASKET SET, 7 tooth	28-29	4.00
A-3581-B	GASKET SET, 2 tooth	29-31	4.00
A-3581	HOUSING GASKET only, is in above set 2T	29-31	0.50
A-3586	ECCENTRIC ADJUSTING SLEEVE	29-31	2.95
A-3587	STEERING ECCENTRIC ADJUSTING CONE	29-31	3.50
A-3590	PITMAN ARM	28-31	47.50
A-3590-MB	PITMAN ARM MOUNTING BOLT/NUT	28-31	3.95

STEERING WHEEL

A-3600-AF	STEERING WHEEL, red (import)	1928	140.00
A-3600-BK	STEERING WHEEL, black, key mount ...	1929	140.00
A-3600-BS	STEERING WHEEL, black, spline mount	1929	135.00
A-3600-C	STEERING WHEEL, black (import), excellent quality	30-31	175.00
A-3609	KEY to install key type wheels	29-31	0.90
A-3610	NUT to install wheel	28-31	0.85



LIGHT SWITCH & HORN ROD

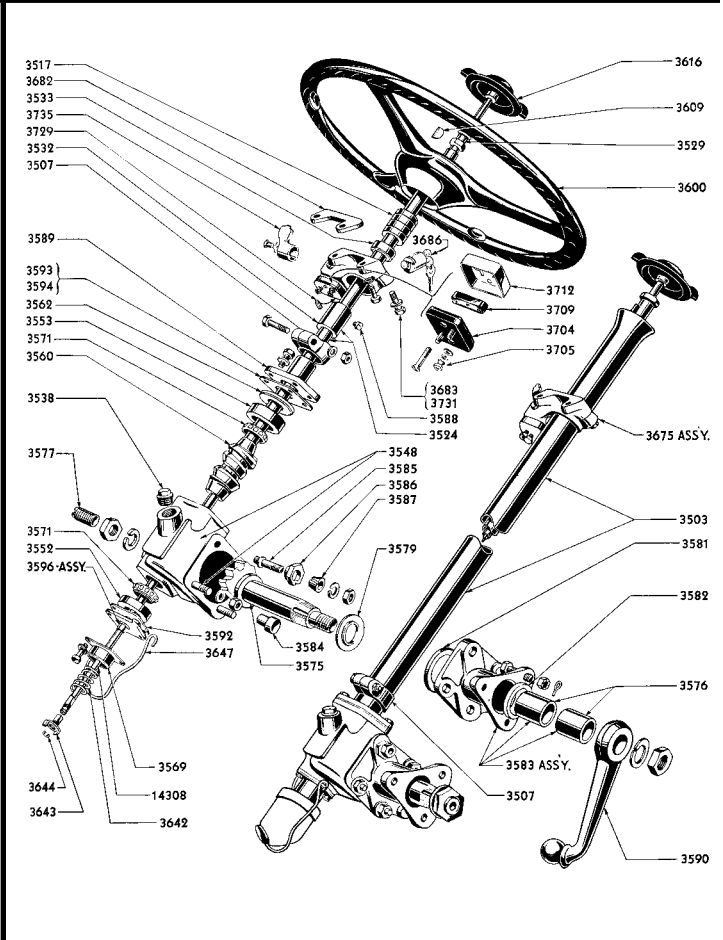
A-3616-B	LIGHT SWITCH & HORN ROD 45 3/4	28-29	65.00
A-3616-C	LIGHT SWITCH & HORN ROD 45	28-29	65.00
A-3616-F	LIGHT SWITCH & HORN ROD 45 3/4	1930	65.00
A-3616-G	LIGHT SWITCH & HORN ROD 44 31/32	1930	65.00
A-3616-H	LIGHT SWITCH & HORN ROD 45 31/32	30-31	47.00
A-3618	HORN BUTTON REPAIR	30-31	14.00

Measure from base of head to keeper groove!

A-3617	HORN BUTTON REPAIR KIT	28-29	14.00
A-3616-K	REPAIR KIT for your present switch/horn rod	28-31	6.95
A-3642	SPIDER SPRING	28-31	0.70
A-3643	SPIDER, for end of horn rod	28-31	3.50
A-3644	SPIDER RETAINER (horseshoe shaped clip)	28-31	0.40
A-3647	BALE, the clip to hold headlamp switch	28-31	1.45
B-11655-S	HEADLAMP SWITCH ASSEMBLY	29-31	18.50

REAR AXLE

M-400	OIL, 600W, correct lubricant for rear end, transmission & steering box, per quart	28-31	8.50
A-4020	BUSHING for rear spring shackle	28-31	0.95
A-4024	REAR SPRING PERCH BALL	28-31	3.95
A-4030	DRAIN PLUG/FILLER PLUG	28-31	1.00
A-4035	GASKETS, pair, center housing	28-31	1.90



A-4035-S	REAR END GASKET SET, .003,.005,.007,.009 u-joint torque tube complete	28-31	11.50
A-4035-MB	REAR AXLE HOUSING BOLT SET	28-31	15.95
A-4209	RING & PINION GEAR SET, STD	28-31	285.00
B-4209-HS	RING & PINION GEAR SET, 3.54 to 1, the high speed gear for highway driving	28-31	395.00
B-4221	PINION BEARING, each, Timken (need 4 per car)	28-31	39.95
B-4222	CUP for above, each, Timken (2 per car)	28-31	25.00
A-4235	AXLE SHAFT & GEAR, new	28-31	425.00
WK-4235	KNOCK OFF WHEEL PULLER	28-31	4.75
AS-4235	AXLE SHIMS, pair, for worn axle tapers	28-31	2.50
A-4242	AXLE NUTS, rear, pair	28-31	3.00
A-4242-W	REAR AXLE NUT WASHER, pair	28-31	2.50
A-4243	AXLE KEY	28-31	0.95
B-4245	SEAL, axle & driveshaft, need 3 per car	28-31	2.00
A-4505	TORQUE TUBE TO DIFF. BOLTS	28-31	7.95
A-4507	GASKET, torque tube	28-31	0.50
A-4516	FELT, U-JOINT CAP (is in kit A-7090-GS)	28-31	0.65
A-4616	DOUBLE CUP, for pinion bearing Timken	28-31	40.00
B-4616	PINION DOUBLE RACE, Model B	28-32	58.95
A-4634	NUT, pinion bearing	28-31	4.00
A-4636	LOCK WASHER for pinion bearing	28-31	2.75
A-4645	BEARING, roller, driveshaft front	28-31	11.95
A-4655	SLEEVE for above w/dimple	28-31	8.75
A-4750-MB	RADIUS ROD MOUNT BOLT SET	28-31	2.85

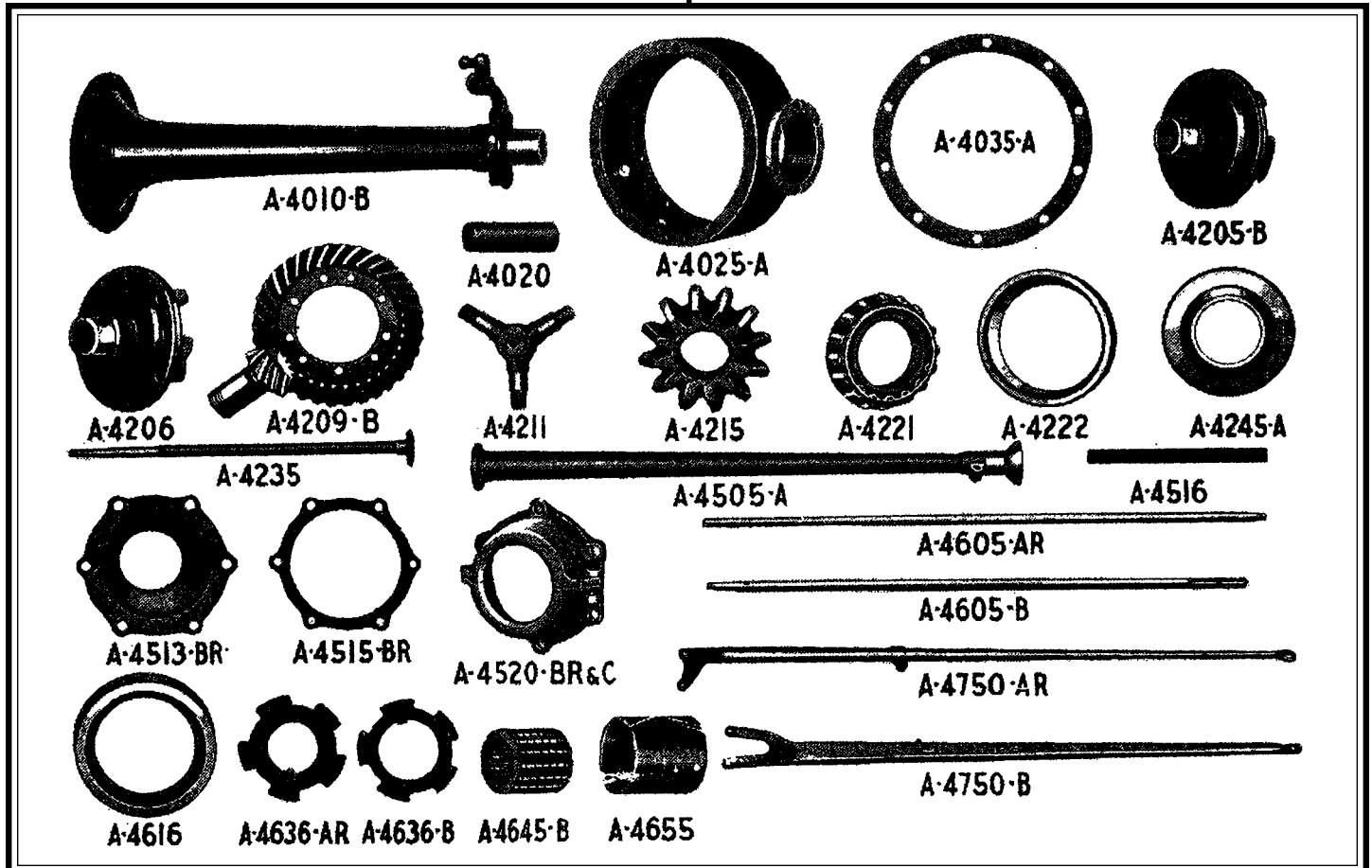
A-1115-RK	HUB REPAIR KIT, sleeve & bearing to repair worn hub	28-31	85.00
B-4012	HOUSING RACE REPAIR KIT, requires machining of old race	28-31	25.95

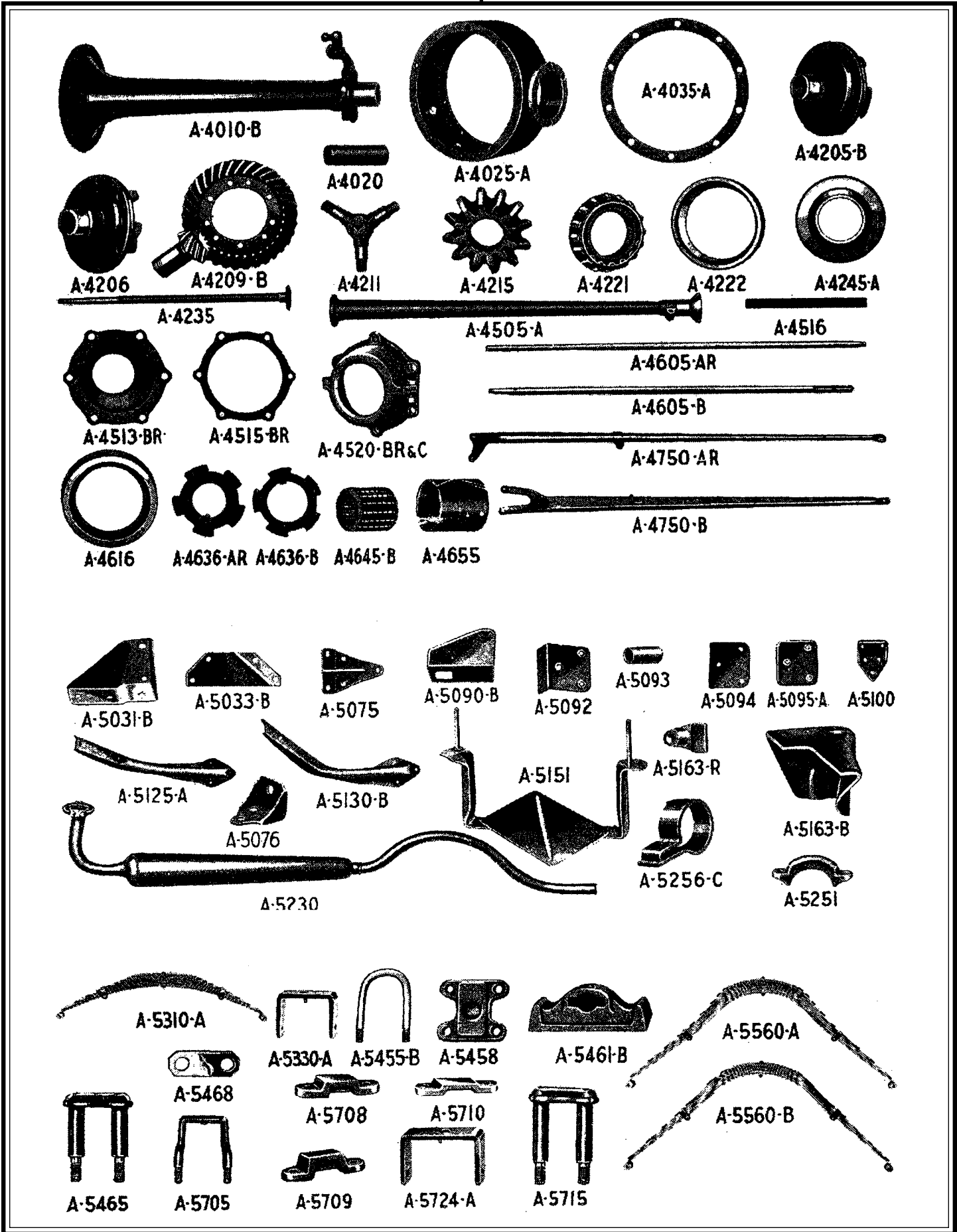
BODY TO FRAME WEBBING

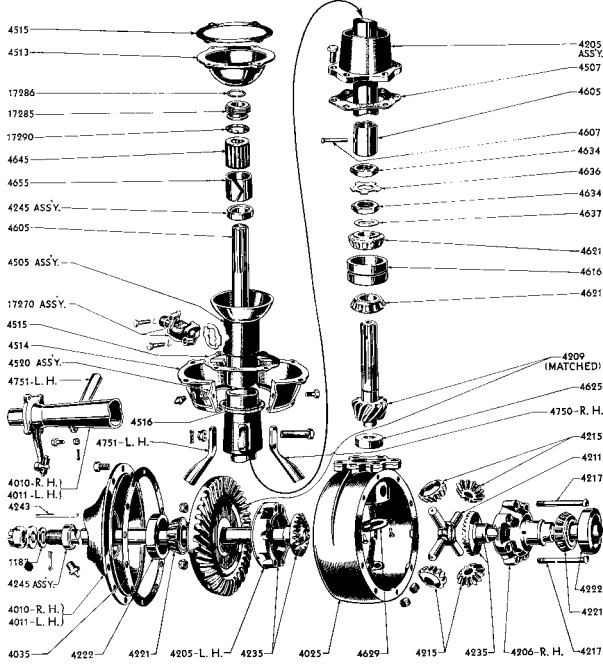
B5000-B1	FRAME WEBBING, 20' X 1/16"	28-48	17.50
B5000-B2	FRAME WEBBING, body to frame	28-48	19.00
B-5010-C	FRAME WEBBING, 2" X 1/16" X 25' BY BOB DRAKE	28-56	26.50
B-5000-AS	FRAME WEBBING with self adhesive, 1 1/2 x 1/8	28-56	24.50
B-5000-BS	FRAME WEBBING w/self adhesive, 2" x 1/8"	28-56	24.50

BODY TO FRAME WOOD BLOCK SETS

A-5000-AS	WOOD BLOCK SET, 28-29 coupe, roadster, phaeton	28-29	42.50
A-5000-AST	WOOD BLOCK SET, 28-29 tudor sedan	28-29	45.95
A-5000-CS	WOOD BLOCK SET, 28-29 pickup, AA truck	28-29	19.95
A-5000-BS	WOOD BLOCK SET, 30-31 roadster, phaeton	30-31	42.50
A-5000-BSC	WOOD BLOCK SET, 30-31 coupe	30-31	42.50
A-5000-BST	WOOD BLOCK SET, 30-31 tudor	30-31	45.95
A-5000-DS	WOOD BLOCK SET, 30-31 pickup, AA truck	30-31	40.00
A-5000-MB	BODY TO FRAME BOLT KIT, closed cars, 36pcs.	28-31	9.95
A-5000-MBR	BODY TO FRAME BOLT KIT, open cars	28-31	9.95







REAR MOTOR MOUNT AREA

AFM-5089	FLOAT-A-MOTOR improved rubber biscuit rear motor support set.....	28-31	85.00
A-5089-R	FLOAT-A-MOTOR PAD SET, round	28-31	15.00
A-5092/4	RUBBER PAD SET, 4 pce, original Ford design, 28-31	28-31	10.95
A-5042-MB	BOLT, NUT & BUSHING SET for original rear motor support	28-31	4.25
A-5095	SUPPORT PLATE, metal plate to frame, 28-31	28-31	5.00
A-5097-MB	REAR MOTOR MOUNT TO ENGINE BOLT SET	28-31	4.50

FRONT MOTOR MOUNT

A-6030-A	YOKE	28-31	39.95
A-6030-MB	YOKE ENGINE MOUNT TO ENGINE BOLTS	28-31	2.50
A-6031-S	FRONT MOTOR MOUNT KIT as original, with metal springs.	28-31	6.50
A-6031-R	FRONT MOTOR MOUNT KIT, replacement type with rubber cushions. (A-6034 not included)	28-31	8.00
A-6031-FAM	FRONT FLOAT A MOTOR MOUNT pass & pickup	28-31	67.50
A-6032/35	FRONT MOTOR MOUNT COIL SPRINGS ONLY, 2 long 1 short	28-31	1.95
A-6034	BRASS BUSHING, for crossmember hole	28-31	1.25
A-5151	BATTERY SUPPORT ASSEMBLY, includes mounting studs	28-31	18.95
A-5151-BP	BASE PLATE, to repair your battery support	28-31	3.25
A-5154	STUD SET for A-5151 repair	28-31	9.25
A-5163-B	CORNER CLAMPS, pair	28-31	4.50
A-5163-FR	BATTERY TOP FRAME, an option for use instead of above clamps	28-31	6.50

MUFFLER

A-5230	MUFFLER, tapered as original, with inlet and outlet pipes attached	28-31	155.00
A-5230-HS	HEATSHIELD, keeps floor cooler	28-31	35.00
A-5251	CLAMP TO MANIFOLD, 2 pce, w/bolts/nuts	28-31	8.50
A-5251-A	ASBESTOS SEAL for use with above clamp, optional	28-31	0.95

A-5251-B	BOLT & NUT SET for use with above clamp	28-31	2.50
A-5251-C	COPPER RING SEAL for use with above clamp, optional	28-31	3.50
A-5251-P	METAL SLEEVE SEAL for use with above clamp (Internal sleeve seal prevents leaking at clamp)	28-31	4.95
A-5253	MUFFLER CEMENT	28-31	3.95
A-5256-B	TAIL PIPE CLAMP with bolt/nut	4/29-31	6.95
A-5256-MB	BOLT/NUT only, for above clamp	28-31	1.45
A5256-A	EXHAUST CLAMP	28-29	7.95

SPRINGS

FRONT SPRING AREA

A-5304	FRONT SHACKLE SET with bushings ..	28-31	16.95
A-5310	FRONT SPRING, square ends on leaves a very good replacement spring,	28-31	150.00
A-5346	CENTER BOLT, front	28-31	1.65
A-5455	FRONT U BOLTS w/nuts, square design, pair	1928	12.95
A-5455-B	FRONT U BOLTS w/nuts, round design, pair	29-31	19.00
A-5455-N	NUT SET only for A-5455-B	29-31	3.95
A-5458	FRONT SPRING LOWER CLIP BAR	28-31	8.95
A-5461-A	CRANK GUIDE & U BOLT PLATE for square bolts	1928	9.95
A-5461-B	CRANK GUIDE & U BOLT PLATE for round bolts	29-31	12.95
A-3034	BUSHING for shackle thru perch	28-31	0.55
A-5330	SPRING LEAF CLAMP SET, front, complete	28-31	3.95

SPRING COVER SET

A-5310-CO	SPRING COVER SET, does both front & rear springs (black)	28-31	49.50
-----------	--	-------	-------

REAR SPRING AREA

A-5599	REAR ANTI SQUEAK PAD	28-31	2.25
A-5630	REAR SHACKLE SET with bushings	28-31	16.95
A-4020	BUSHING only	28-31	0.95
A-5345	CENTER BOLT, rear spring	28-31	1.70
B-5705	REAR U BOLTS with nuts	28-31	14.50
A-5705-N	NUT SET only, for above, set of four	28-31	4.00
A-5708-A	REAR CLIP BAR, coupe, roadster (1 1/8 tall)	28-31	6.50
A-5708-B	REAR CLIP BAR, pickup, sedan (5/8 tall)	28-31	6.50
A-5724	SPRING LEAF CLAMP SET, rear, complete	28-31	5.95

ENGINE AREA

REBUILT ENGINES

A-6000-R	REBUILT MODEL A SHORTBLOCK, exchange	28-31	Call for
A-6000-RLB	REBUILT MODEL A LONGBLOCK		Current
		28-31	Prices

SHORTBLOCK ENGINE: Includes cleaning, checking for cracks, machining, decking, reground crankshaft, new pistons, rings, valves, adjustable lifters, spring guides, locks, crankgear, timing gear, rebabbited con rods and main bearings.

LONGBLOCK ENGINE: Includes all of the above plus, rebuilt oil pump, resurfaced flywheel with new ring gear, resurfaced cylinder head, timing covers, side covers, oil pan, flywheel bell housing, oil tube, new studs and head nuts, and new crankshaft pulley. Assembled and painted green. 90 day warranty.

****CORE CHARGE : \$250.00****

ENGINE ENAMEL

M-200	ENGINE ENAMEL, Ford green, Qt.	28-31	20.00
M-200-S	ENGINE ENAMEL, Ford green, spray can	28-31	5.95

ENGINE GASKETS

A-6008-S	ENGINE GASKET SET w/steel head gasket	28-31	19.95
A-6008-C	ENGINE OVERHAUL GASKET SET w/copper head gasket, and all the small gaskets needed are included, pan & manifold	28-31	49.95
A-6051-C	CYLINDER HEAD GASKET, copper clad w/black center material	28-31	29.95
A-6648	OIL RETURN LINE GASKETS, pair	28-31	1.50
A-6781	OIL PAN GASKET SET, 4 pce, heavy composition	28-31	3.95
A-6781-C	OIL PAN GASKET SET, 4 pce, cork	28-31	6.75
A-6051-S	CYLINDER HEAD GASKET, steel	28-31	12.00
A-6051-M	MODERN HEAD GASKET, The Best	28-31	29.95

Other gaskets are available singly and are listed in the catalog in their applicable section. Example: Water pump gaskets are with water pumps. Manifold gaskets are in the manifold section (A-9433), etc.

TIMING COVER

A-6018	GASKET, timing cover side	28-31	0.75
A-6020	GASKET, timing cover front	28-31	0.95
A-6019	BOLT SET, timing cover front	28-31	2.95
A-6023	TIMING PIN, just like Henry's	28-31	3.50

CYLINDER HEAD

B-6064	NUT, cylinder head, each	28-31	.30
A-6066	STUD, short (order 11 per car)	28-31	1.00
A-6066-B	STUD, ignition clamp, thick	28-31	2.75
A-6066-C	STUD, ignition clamp, steel	29-31	1.85
A-6067	STUD, long (for water gooseneck) order 2	28-31	1.35
A-6010-HC	CYLINDER HEAD high compression, 5.5:1	28-31	295.00

PISTONS, RINGS, CONNECTING RODS

B-6108	PISTON SET, pin fitted, USA mfg, specify Std; .020;.030;.040;.060;.080; .100;.120	28-31	115.00
B-6149	PISTON RING SET, USA mfg, above sizes	28-31	31.00
A-6135	PISTON PIN SET, end lock style, specify Std, .003; .005	28-31	23.00
B-6207	BUSHING, for piston pin	28-31	2.00

SHIMS

A-6220	SHIM SET, connecting rods, peelable	28-31	6.95
A-6340/6	SHIM SET, main bearings	28-31	7.95

TIMING GEAR

A-6250	CAM SHAFT, reground, 3 bearing core ..	28-31	98.50
A-6250-A	CAM SHAFT, reground, 5 bearing core ..	28-28	98.50
A-6256	TIMING GEAR, camshaft, laminated fibre, Std	28-31	39.95
A-6275-S	CAMSHAFT SPRING & PLUNGER SET	28-31	4.95
A-6259	CAMSHAFT NUT, holds A-6256 in place	28-31	5.00
A-6304	PLASTIC GUAGE - CHECKS FOR PROPER CLEARANCE .001-.003	28-31	1.25
B-6306	TIMING GEAR, crankshaft metal gear ...	28-31	11.95
A-6307	WOODRUFF KEY FOR METAL TIMING GEAR	28-31	0.95
A-6256-AL	TIMING GEAR, Aluminum	28-34	75.00

CRANKSHAFT AREA

A-6310	SLINGER	28-31	2.95
A-6312-B	PULLEY, 2 pce (easier to install)	28-31	29.95
A-6312-A	PULLEY, 1 pce (Henry used this type) ...	28-31	22.00
B-6319	CRANKSHAFT RATCHET NUT, USA	28-31	9.75
A-6328-A	PIPE, rear main cap oil return 5/16	28-29	2.95
A-6328-B	PIPE, rear main cap oil return 3/8	29-31	3.50
A-6335	SEAL, rear main upper, aluminum	28-31	11.75

FLYWHEEL AREA

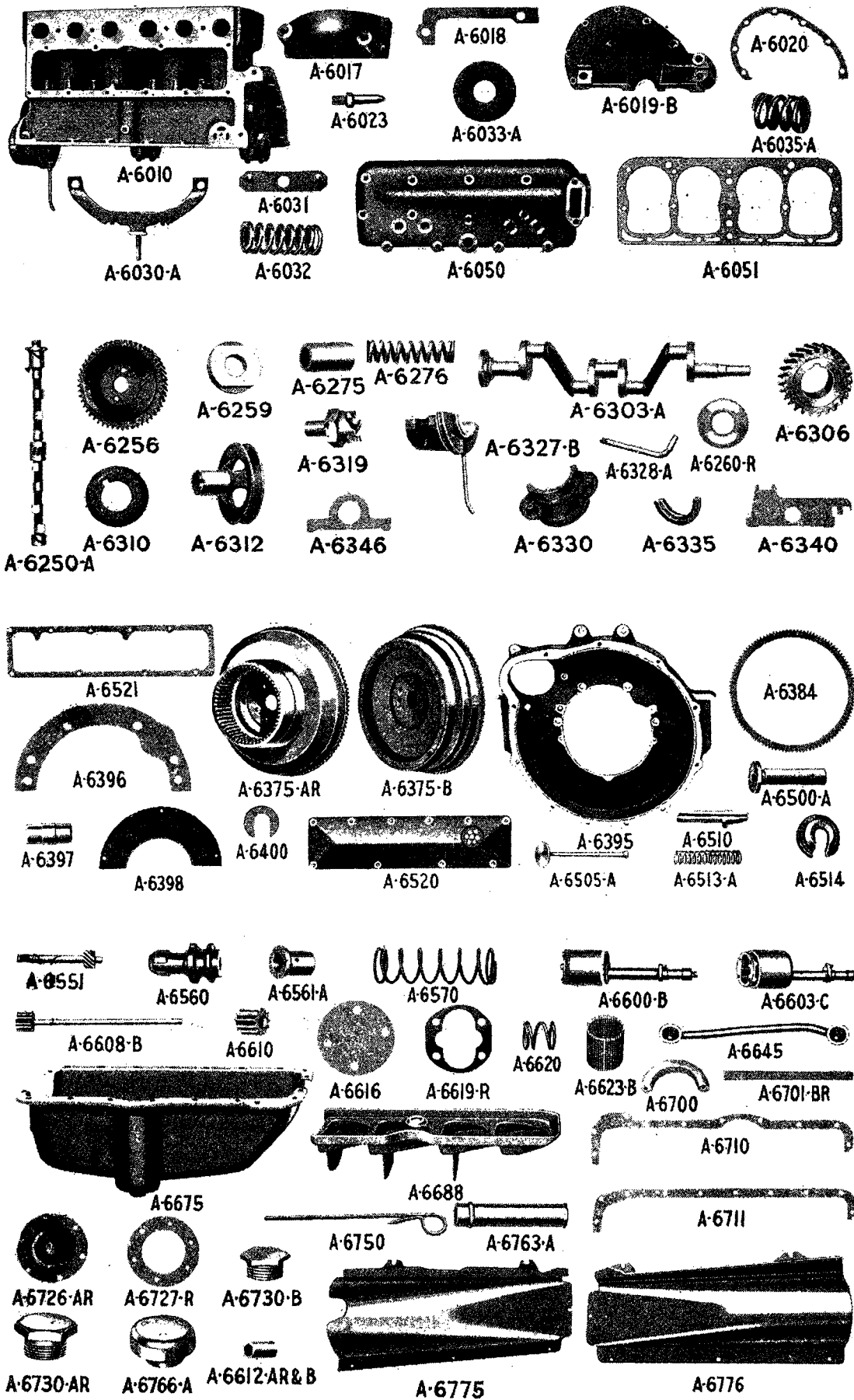
B-6384	FLYWHEEL RING GEAR	28-31	19.95
A-6378-MB	FLYWHEEL HOUSING TO BLOCK BOLTS	28-31	5.95
A-6396	GASKET, flywheel housing	28-31	0.75
A-6400	SHIM, flywheel housing, per pair	28-31	0.95
A-6387	FLYWHEEL, to crank shaft pins, pair	28-31	4.50
A-6398	FLYWHEEL, housing inspection plate	28-31	10.00

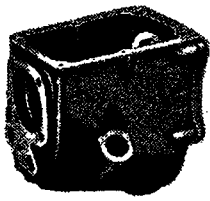
VALVES

B-6500-DL	ADJUSTABLE VALVE TAPPETS, double lock, set of 8	28-32	59.95
B-6500-SL	ADJUSTABLE VALVE TAPPETS, single lock, set of 8	28-34	69.95
A-6505	VALVE, alloy steel, set of 8, \$7.50 each		59.95
B-6505	VALVE, stainless steel	28-34	7.50
B6505-S	VALVE GUIDE straight stem stainless must use b6510-s one piece guide	28-34	8.95
B-6505/10-S	VALVE GUIDE KIT one piece guide straight stem valve: includes 8 valves, 8 guides, 8 spring locks	28-34	129.95
B-6510-S	VALVE GUIDE one piece for use w/b-6505-s valve	28-34	8.95
A-6510-T	GUIDE TOOL		6.95
A-6510	VALVE GUIDE		6.95
A-6513	VALVE SPRING		1.00
A-6514	SPRING RETAINER, set of 8, \$1.35 each		13.00
A-6520-MB	VALVE COVER, mtg bolts	28-31	2.50
A-6521	VALVE CHAMBER GASKET, Model A		1.75
A-6648	GASKETS, pair, oil return line		1.25
A-6506-SE	VALVE SEATS, set of 8 for ss valves	28-31	32.00

OIL PUMP & OIL PAN AREA

A-6551	GEAR, oil pump & distributor drive, a precision milled quality gear.	28-31	24.95
A-6561	SLEEVE for above gear	28-31	5.95
A-6570	SPRING, DISTRIBUTOR DRIVE (long spring)	28-31	1.50
A-6600	OIL PUMP REBUILD KIT	28-31	27.95
A-6620	SPRING, oil pump retaining (short spring)	28-31	1.00
A-6623	SCREEN for oil pump	28-31	3.75
A-6626	GASKET, oil pump screen cover	28-31	0.50
A-6648	OIL RETURN GASKETS, pair	28-31	2.75
A-6648-MB	OIL PIPE MOUNTING SET	28-31	2.00
A-6676-MB	OIL PAN BOLT SET pass cars	28-31	3.50
B-6700	PACKING GASKET, timing cover & oil pan frt.	28-31	3.00
A-6700-M	MODERN DESIGN FRONT CRANKSHAFT SEAL	28-31	10.95
A-6730	OIL DRAIN PLUG	29-31	2.00
A-6734	GASKET for above, copper	28-31	0.95
A-6750	OIL DIP STICK	28-31	2.50
A-6763	OIL FILTER PIPE, baffled	28-31	17.50
A-6764	BREATHER	28-31	34.95
A-6766	OIL CAP to be painted black	28-31	2.95
A-6766-C	OIL CAP, chrome	28-31	3.95
A-6781	OIL PAN GASKET (paper)	28-31	6.95
A-6781-C	OIL PAN GASKET (cork)	28-31	7.95
A-6621	PLUG FOR OIL PUMP	28-31	.50
B-6621-PUMP	OIL PUMP, New 4 Cyl.	28-34	75.00

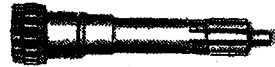




A-7006-B



A-7017-AR



A-7017-B



A-7025



A-7040-AR&B



A-7043-R



A-7045-A



A-7046-R



A-7047-R



A-7050



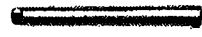
A-7060



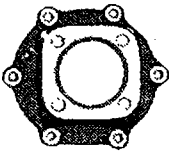
A-7065



A-7080-AR&B



A-7111



A-7085-BR



A-7086



A-7090



A-7095



A-7100



A-7101-A



A-7113



A-7118-A



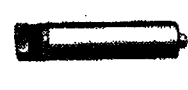
A-7119-R



A-7121-A



A-7138-AR



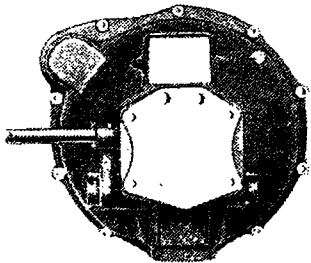
A-7140



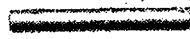
A-7141



A-7155



A-7501-B



A-7506-B



A-7507-B



A-7508-B



A-7510-C



A-7511-C



A-7515-C



A-7516-R



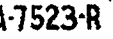
A-7518-AR



A-7518-B



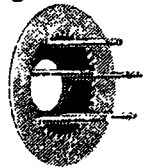
A-7521-B



A-7523-R



A-7522-B



A-7530-R



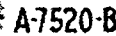
A-7539-R



A-7545-R



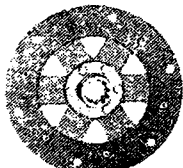
A-7546-R



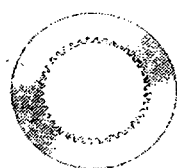
A-7520-B



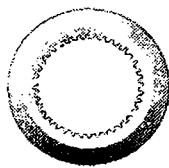
A-7549-B



A-7550



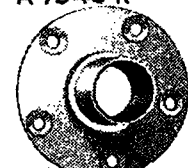
A-7551-AR



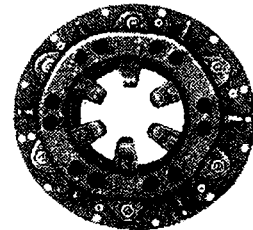
A-7552-R



A-7556-R



A-7561-AR



A-7563



A-7561-B



A-7562



A-7580-AR



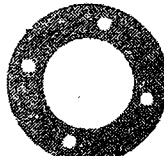
A-7580-B



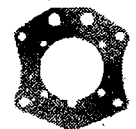
A-7600-A



A-7608-R



A-7609-B



A-7620

A-8130	RADIATOR INSTALLATION KIT (bolts, nuts, springs, pads, cotter pins), authentic	28-31	3.95
A-8133	SUPPORT RODS, radiator to firewall, pair, cadmium	28-31	7.95
A-8133-SS	SUPPORT RODS, stainless steel	28-31	25.00
A-8140/1	BRACKETS ON FIREWALL for above rods, pair	28-31	3.95
A-8140-SS	BRACKETS ON FIREWALL for above rods, pair, stainless steel	28-31	15.00
A-8200-D	RADIATOR SHELL, stainless	30-30	270.00

RADIATOR SHELL AREA

A-8200-C	RADIATOR SHELL, chrome	28-29	155.00
A-8200-P	RADIATOR SHELL, black	28-29	115.00
A-8200-SC	RADIATOR SHELL, smooth chrome	28-29	165.00
A-8200-S	RADIATOR SHELL, smooth, unplated	28-29	109.00

Shells do not include emblem or crank hole cover.

A-8200-E	RADIATOR SHELL, stainless	31-31	550.00
A-8200-B	BOLT SET, shell to radiator	28-31	1.30
A-8210-A	GROMMET SET, radiator shell, 3 pce	28-29	2.00
A-8210-B	GROMMET SET, radiator shell, 3 pce	30-31	2.00
A-8212-A	EMBLEM, Ford, porcelain, blue	28-30	35.00
A-8212-B	EMBLEM, Ford, stainless steel	1931	22.50
A-8216-A	CRANK HOLE COVER w/rivet	28-29	3.75
A-8216-B	CRANK HOLE COVER w/rivet	30-31	3.75
A-8220-C	RETAINER ON SHELL for hood center rod	28-31	3.50

WATER OUTLET (GOOSENECK) AREA

A-8250-A	WATER OUTLET	28-29	27.95
A-8250-B	WATER OUTLET	30-31	28.90
A-8255	GASKET, regular heavy paper	28-31	1.00
A-8255-C	GASKET, copper clad	28-31	6.95
A-8257-S	THERMOSTAT, 160 degree, welded to ss tube for insertion into hose	28-31	11.50

Experts recommend using a thermostat!

RADIATOR HOSES

A-8260-A	RADIATOR HOSE SET, 3 pce. Black hose with a red stripe; original for most A's	28-29	9.95
A-8260-B	RADIATOR HOSE SET, 3 pce. Black hose with a red stripe; original for most A's	30-31	9.95
A-8260-K	RADIATOR HOSE SET	29-31	15.00
A-8260/86-NS	HOSE & CLAMP SET, red lined, as original, exact reproduction the best you can buy with all clamps	28-31	16.00
A-8261-S	CLAMP SET, 6 pce. Original slotted style	28-31	4.00

Bottom hoses are the same for all years, 2-3/4 long. 28-29 top hoses are 6-1/4 long; 30-31 top hoses are 8-1/2 long.

WATER INLET (SIDE OF ENGINE) & LOWER DRAIN PIPE

A-8280	GASKET for above, heavy paper	28-31	0.40
A-8280-C	GASKET for above, copper clad	28-31	2.95
A-8280-S	GASKET, for above, metal clad	28-31	2.65
A-8291-AR	LOWER WATER PIPE for use with Powerhouse generator	1928	12.50
A-8291	LOWER WATER PIPE for use w/regular generator	28-31	16.50

WATER PUMP AREA

A-8500	GREASE for water pump	28-31	4.95
A-8501	WATER PUMP, the real McCoy with nickel plated shaft, zinc packing nut w/large teeth, Original Type	28-31	99.95

A-8502-A	WATER PUMP, leakless, with ball bearing, brass nut	28-29	139.95
A-8502-B	WATER PUMP, leakless, with ball bearing, zinc nut	30-31	139.95
A-8501-CO	WATER PUMP COVER, keeps spray off firewall	28-31	8.95
A-8501-I	WATER PUMP IMPELLER ONLY	28-31	9.50
A-8501-MB	STUDS, to install water pump, with nuts, set	28-31	3.50
A-8501-W	WRENCH for packing nut adjustment	28-31	2.50
358010	GREASE FITTING, rear, brass w/cap	28-31	2.50
A-8506	KEY, NUT & COTTER PIN SET to install fan	28-31	1.25
A-8507	GASKET to install water pump	28-31	0.40
A-8510	SHAFT WITH IMPELLER installed, nickel plate	28-31	18.00
A-8510-SS	STAINLESS STEEL PUMP SHAFT ONLY	28-31	13.50
A-8511-SS	SHAFT WITH IMPELLER installed, stainless steel	28-31	19.95
A-8511-C	WATER PUMP SHAFT COLLAR - eliminates end play	28-31	3.95
A-8513	WATER PUMP IMPELLER WASHER ..	28-31	0.75
A-8513-A	THRUST WASHER, brass, teardrop	28-31	2.95
A-8513-B	THRUST WASHER, steel	28-31	0.75
A-8520	BUSHING, water pump rear	28-31	7.95
A-8520-B	LEAKLESS BUSHING, water pump rear	28-31	18.95
A-8523-B	PACKING NUT, brass	28-29	9.95
A-8523-BL	PACKING NUT, brass leakless design	28-29	17.95
A-8523-Z	PACKING NUT, zinc	30-31	9.95
A-8523-ZL	PACKING NUT, zinc leakless design	30-31	17.95
A-8523-S	REPLACEMENT SEAL & O RING for leakless	28-31	3.00
A-8524	PACKING, graphited lead type, per ring	28-31	3.95
A-8530-M	MODERN FRONT BEARING & SLEEVE	28-31	13.00
A-8530-S	FRONT BEARING & SLEEVE SET	28-31	4.50
A-8535	SLEEVE only	28-31	1.00
A-8542-A	FELTS & CUPWASHERS	28-31	1.95
A-8591	WATER PUMP KIT	28-31	49.95

These top quality kits contain every part except the casting itself.

A-8591-SS	WATER PUMP KIT with stainless steel shaft	28-31	59.95
-----------	--	-------	-------

FAN & FAN BELT

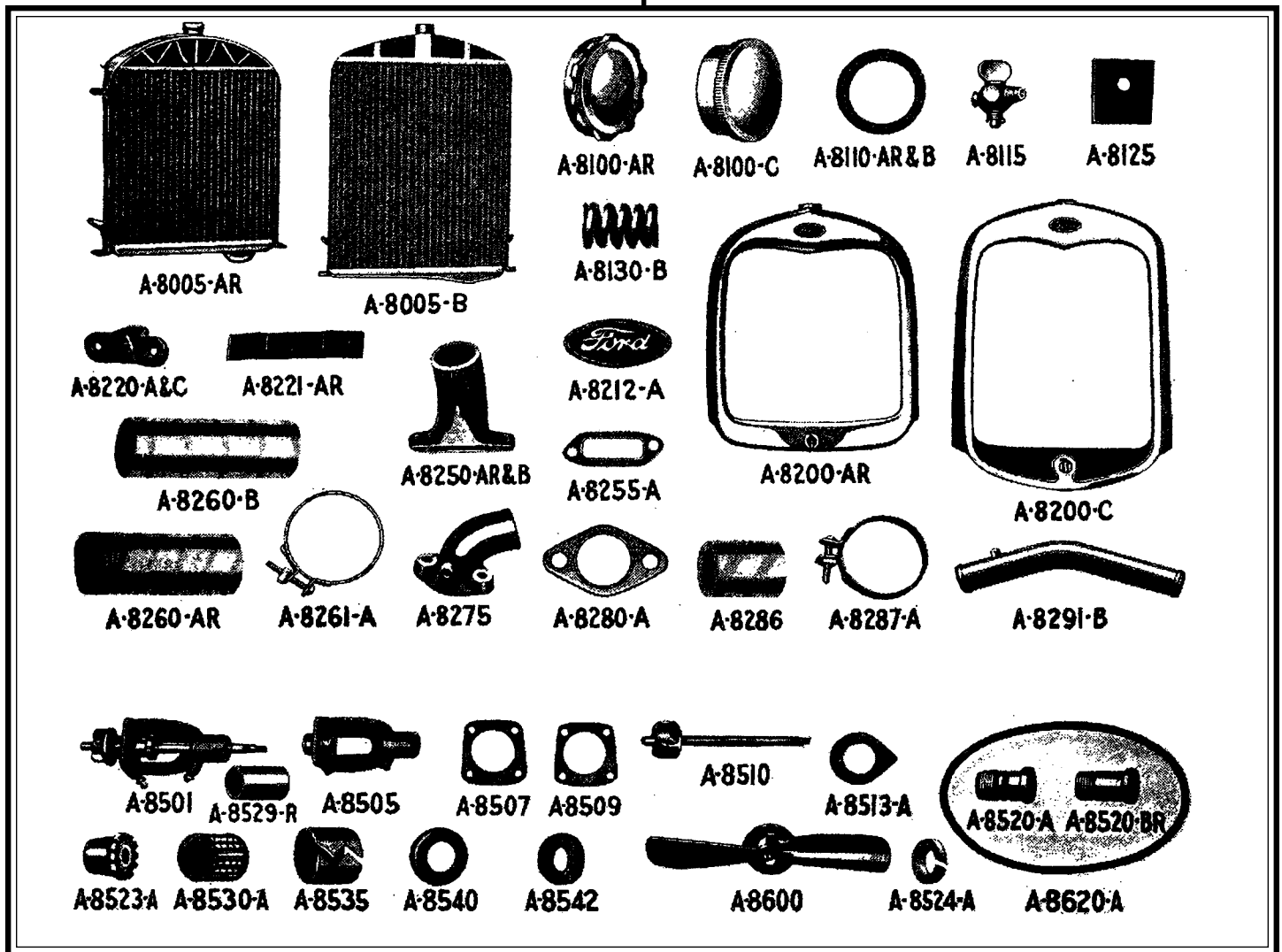
A-8510-MS FAN	mounting set 3 pc set	28-31	1.50
A-8600	castle nut, woodruff key, cotter pin FAN, an original contour 2 blade fan, with hub & blade cast as one piece, Aluminum	28-31	55.00
A-8600-R	FAN, replacement 2 blade, flat blades, a replacement quality part, Steel	28-31	59.95
A-8601	FAN, replacement 4 blade, flat blades, a replacement quality part, Steel	28-31	41.95
A-8620	FAN BELT, plain black USA	28-31	10.50
A-8620-AR	FAN BELT, for 28-29 with powerhouse generator	28-29	9.95
A-8620-F	FAN BELT, Ford script USA	28-31	12.95

FUEL SYSTEM

GAS TANK AREA

A-9000	GAS TANK WELT, used to install gas tank	28-31	5.95
M-9002	GAS TANK SEALER	quart	27.00

Bill Hirsch alcohol resistant product. Quart does one car tank.



A-9020	SCREEN for filler neck, drops in place, not threaded, but fits all years.....	28-31	11.50
A-9299-A1	GAS TANK ANTI-SQUEAK FOR MOUNTING SURFACES	28-29	3.45
A-9299-B	GAS TANK ANTI-SQUEAK FOR MOUNTING SURFACES	30-31	3.50
A-35266-BR	CLAMPS FOR GAS TANK (use two on each side)	30-31	3.60

GAS CAPS AND GASKETS

A-9030-A	GAS CAP, gasket included	28-29	15.00
A-9030-AG	GASKET only	28-29	1.00
A-9030-B	GAS CAP, gasket included	30-31	20.00
A-9030-BG	GASKET only	30-31	1.00

GLASS STYLE SEDIMENT BOWL

A-9155	SEDIMENT BOWL ASS'Y, glass bowl style	28-31	25.00
A-9156	GLASS SEDIMENT BOWL MICRO FILTER	28-31	4.95
A-9162	GLASS BOWL ONLY	28-31	3.95
A-9173-C	CORK GASKET for bowl	28-31	0.35
A-9173-N	NEOPRENE GASKET for bowl	28-31	0.50
A-9155-SC	SCREEN, brass, for bowl	28-31	1.25

IRON STYLE SEDIMENT BOWL

A-9155-RK	WASHER & SCREEN for iron bowl	28-31	3.95
-----------	-------------------------------------	-------	------

LATE 1931 IRON SEDIMENT BOWL (attaches to carburetor)

A-9161	SEDIMENT BOWL ASS'Y	late 31	45.00
A-9161-V	DRAIN VALVE & SPRING	late 31	8.00
A-9161-SC	SCREEN AND GASKETS REBUILD KIT	late 31	2.50

FUEL VALVES

A-9189	FUEL VALVE, USA exact copy	28-31	37.50
A-9189-B	FUEL VALVE, USA exact copy	late 31	37.50
A-9193-S	FUEL VALVE REPAIR KIT (renews the gland)	28-31	2.25
A-9171	FUEL VALVE AREA GROMMET IN FIREWALL	late 31	2.00
A-9189-F	FUEL VALVE ACCESSORY STRAINER Fits into fuel valve, stands up into gas tank	28-31	3.95
A-9193	FUEL VALVE PACKING ONLY	28-31	1.00

GAS LINES(fittings included on all new lines)

A-9230-A	GAS LINE, steel, tank to firewall	28-29	7.95
A-9230-B	GAS LINE, steel, tank to firewall	30-31	7.95
A-9240-B	GAS LINE, steel, to carburetor	28-31	5.95
A-9240-C	GAS LINE, steel, to carb sed bowl	late 31	5.95
A-9243	FITTINGS, pair, w/tapered flange	28-31	1.50
A-9243-B	FITTINGS, each, w/ferrule separate	28-31	1.25

GAS GAUGE

X-9300	TOOL SET for gas gauge removal	28-31	6.95
<i>Gas gauge/ component parts available separately for repair work:</i>			
A-9312-D	GAS GAUGE ASSEMBLY, complete, everything needed	28-31	38.75
A-9320	FLOAT, cork w/phenolic coating	28-31	1.95
A-9321-C	CORK GASKET SET (includes brass slip ring).....	28-31	1.00
A-9321-N	NEOPRENE GASKET SET	28-31	1.75
A-9323	LENS (flat glass)	28-31	1.00
A-9323-M	LENS (magnifying)	28-31	1.25
A-9325	FACE PLATE for flat glass lens (shield)	28-31	2.50
A-9326	INNER NUT, nickel plated brass	28-31	7.25
A-9330	OUTER NUT, nickel plated brass	28-31	6.50
A-9315-K	REPAIR KIT 9 pc. rebuild kit	28-31	5.95

MANIFOLDS

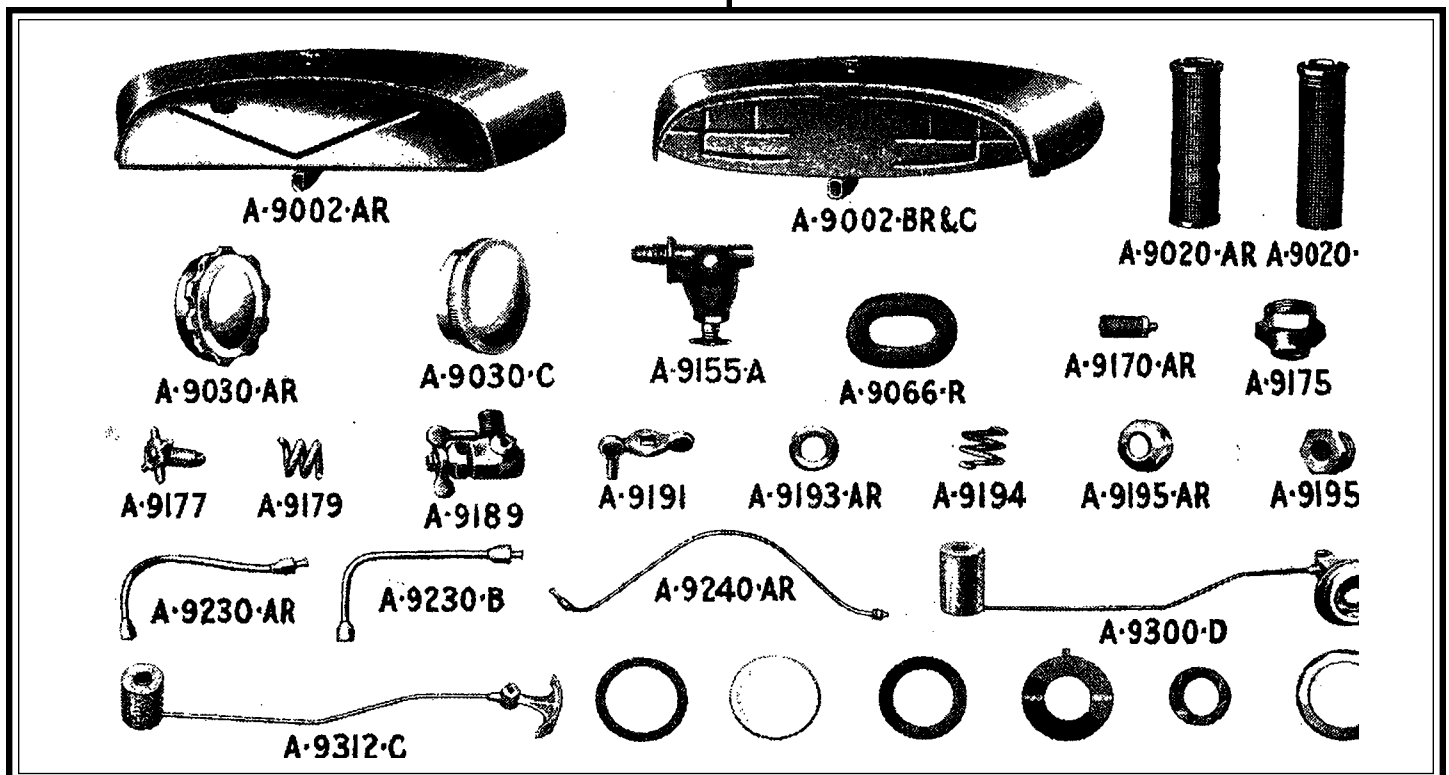
A-9325-W	INTAKE MANIFOLD, drilled	28-31	82.50
A-9425	INTAKE MANIFOLD, USA	28-31	98.00
A-9430	EXHAUST MANIFOLD, USA	28-31	99.95
M-900	EXHAUST MANIFOLD TREATMENT 12 oz aerosol, easy to apply looks best	28-31	21.95
A-9430-N	BRASS NUTS, set 4	28-31	4.40
A-9431	STUDS, set 4	28-31	5.00
A-9440-X	GLAND RINGS, set 4	28-31	2.95
A-9443	WASHERS, set 4	28-31	5.50
A-9433-A	GASKET SET, 2 pce., plain asbestos	28-31	5.95
A-9433-C	GASKET SET, 2 pce., copper clad, slotted	28-31	12.50
A-9433-F	GASKET, 1 piece set	28-31	4.95

CARBURETOR

ZENITH

A-9510	BRAND NEW ZENITH CARBURETOR, USA made	28-31	359.95
A-9502	GASKET SET, includes A-9447	28-31	1.50
A-9512	BOLT- holds carb together, Zenith	28-31	.95

A-9525	ADJUSTING NEEDLE	28-31	4.95
A-9528	ADJUSTING NEEDLE HOUSING	28-31	9.95
A-9545	SECONDARY WELL	28-31	4.25
A-9546-S	CHOKE SHAFT, ZINC LEVER PLATE & SCREW SET	28-31	6.30
A-9547	CHOKE SHAFT ONLY	28-31	5.85
A-9548	LEVER only, zinc	28-31	2.75
A-9549-MB	BUTTERFLY SCREWS, each	28-31	0.65
A-9550	FLOAT, brass	28-31	20.95
A-9558	PIN ZENITH FLOAT	28-31	0.60
A-9559	STRAINER, cadmium	28-31	8.25
A-9559-B	STRAINER, brass	28-31	8.40
A-9564-C	FUEL VALVE VITON NEEDLE TIP (improves shut-off)	28-31	11.50
A-9564-Z	FUEL VALVE (brass).....	28-31	4.95
A-9564-ZG	GROSE-JET FUEL VALVE uses ball to shut fuel flow, ZENITH	28-31	9.25
A-9570	ADJUSTING NEEDLE DRIVE, zinc plate	28-31	9.95
A-9570-B	ADJUSTING NEEDLE DRIVE, brass	28-31	8.95
A-9575-TP	TAP FOR COMPENSATOR JET	28-31	5.50
A-9576	ZENITH PASSAGE PLUG SET	28-31	2.00
A-9577-CAD	IDLE SCREW, CAP & SPRING SET	28-31	3.75
A-9581-A	THROTTLE SHAFT, standard	28-31	17.00
A-9581-B	THROTTLE SHAFT, oversize	28-31	19.50
A-9581-BU	THROTTLE SHAFT BUSHINGS, ZENITH, set	28-31	2.00
A-9582-S	IDLE STOP SCREW SET	28-31	0.55
A-9585	THROTTLE PLATE, brass	28-31	6.25
A-9586	VENTURI	28-31	6.95
A-9590	LOWER PLUG, cadmium (access to main jet).....	28-31	2.10
A-9590-B	LOWER PLUG, brass (access to main jet)	28-31	2.00
A-9591	CENTER BOLT	28-31	2.90
A-9595-Z	REBUILD KIT, 19 pieces including gaskets, jets, adjusting needle & fuel valve	28-31	29.95
A-9599	FUEL LEVEL GAUGE, adjust float level on Zenith carbs	28-31	6.95
A-9600	AIR MAZE ACCESSORY AIR FILTER	28-31	25.00
A-9600-F	MODERN PAPER ELEMENT FILTER FOR AIR MAZE FILTER	28-31	9.95



TILLOTSON

A-9550-T	FLOAT, brass TILLOTSON	28-31	27.50
A-9564-TG	GROSE-JET FUEL VALVE TILLOTSON	28-31	6.95
A-9595-T	REBUILD KIT, 14 pieces including gaskets, jets, etc. for the Tillotson Model X & Model XF	28-31	18.50
A-9502-T	GASKET SET, TILLOTSON includes A-9447	28-31	2.00

APPLICABLE TO BOTH ZENITH AND TILLOTSON

BZ-1	CARBURETOR SERVICE BOOK, illustrated guide to carburetor rebuilding, Zenith & Tillotson	28-31	6.00
A-9447	GASKET, carb to manifold	28-31	0.85
A-9447-C	GASKET, carb to manifold, copper clad	28-31	2.95

CHOKE AND MIXTURE ADJUSTING ROD

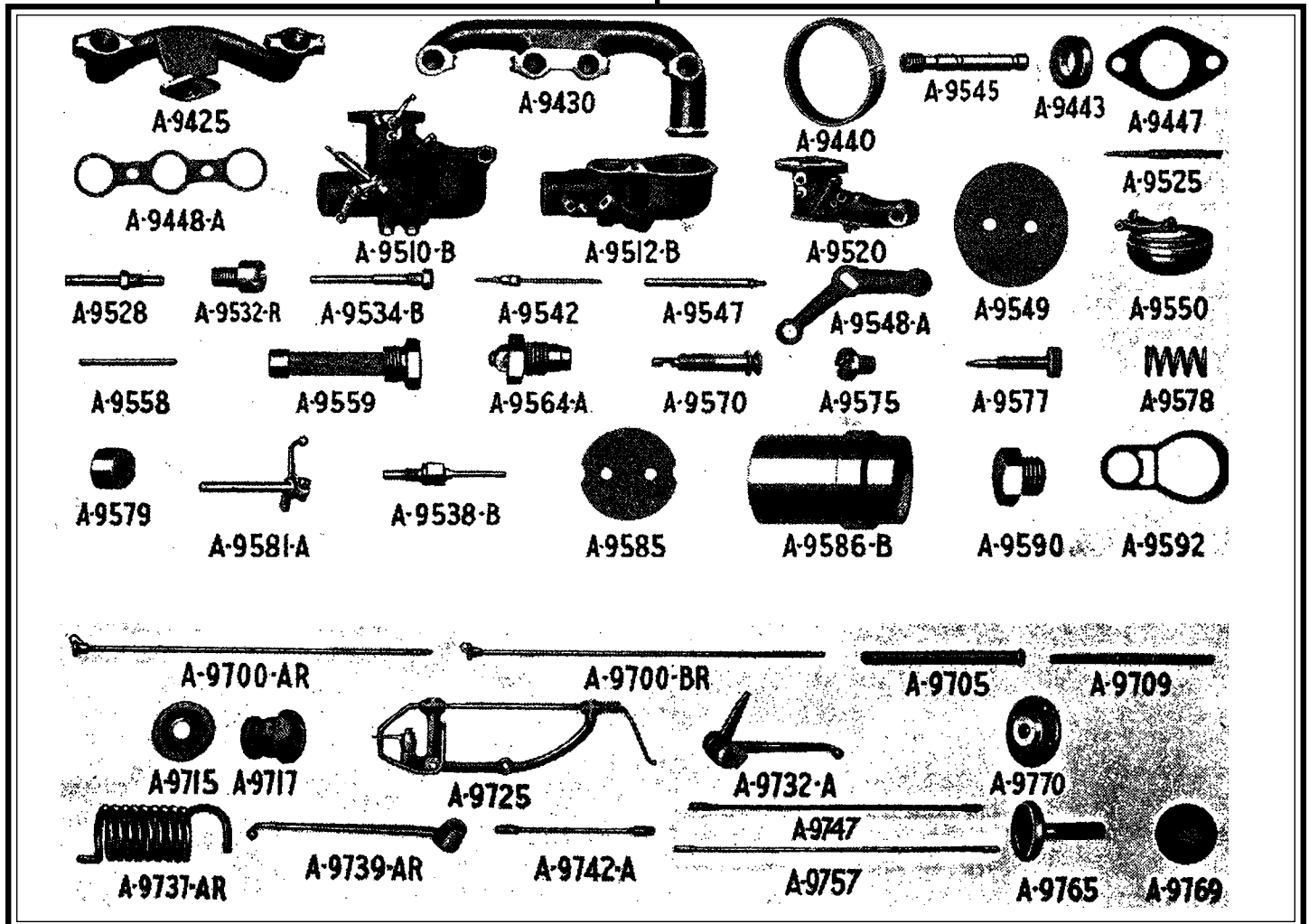
A-9700-A	CHOKE ROD plus A-9704-S kit, 26 long	28-29	9.95
A-9700-B	CHOKE ROD plus A-9704-S kit, 28-1/2 long	30-31	10.95
A-9705	SLEEVE only	28-31	1.25
A-9709	CHOKE ROD SPRINGS	28-31	0.75
A-9715	GROMMET at firewall, not originally	28-31	0.60
A-9717	GROMMET at gas tank bracket	28-31	0.75

CONTROL RODS

A-9737-AR	ACCELERATOR SPRING-AR	28-29	3.00
A-9737	ACCELERATOR SPRING	28-31	2.50
A-9742-S	CONTROL ROD SET, 3 pieces (see next 3 items below)	28-31	23.50
A-9742	THROTTLE ROD 6	28-31	7.50
A-9747	ACCELERATOR ROD TO CARBURETOR	28-31	7.85
A-9757	SPARK ROD TO DISTRIBUTOR	28-31	8.25

PEDALS & PADS

A-9735-F	FULTON ACCELERATOR PEDAL	28-31	17.95
A-9765/70	FOOT REST ASSEMBLY, 2 piece, just like Henry's	28-31	5.95
A-9765-R	FOOT REST POST W/ RUBBER INSERT	28-31	4.95
A-9770	FOOT REST BASE PLATE ONLY	28-31	3.75
A-9777	ACCELERATOR METAL BUTTON, screws on	28-31	2.95
A-11471-A	RUBBER PAD for above accelerator button	28-31	1.25
A-11471-S	RUBBER PAD for starter rod push button	28-31	1.25
A-2454	RUBBER PADS for clutch & brake pedal, pair	28-31	4.50



GENERATOR

A-10000	GENERATOR, Rebuilt + Core	28-31	165.00
ALT-10000-6V	ALTERNATOR, 6 volt, positive ground, Model A -53 V-8	28-53	125.00
ALT-10000-12V	ALTERNATOR, 12 volt negative ground, Model A - 53	28-53	119.95
A-10043	BRUSH SET	28-31	2.50
A-10069-B	GENERATOR BRUSH SET, 5 brush Powerhouse	28-28	2.95
A-10051	BRUSH HOLDER	29-31	4.95
A-10057	BRUSH SPRING, third & ground	29-31	0.95
A-10094	BEARING	29-31	3.95
A-10104-M	GENERATOR TERM POST	28-31	1.15
A-10128	BUSHING, end plate	29-31	1.95
A-10130	PULLEY, made for 3/4 taper, can adapt to 1/2 taper	29-31	29.95
A-10142	COVER BAND	29-31	3.95
A-10143	PULLEY BOLT for 1/2 taper shaft	30-31	1.10
A-10143-B	PULLEY BOLT for 5/16 taper	30-31	1.10
A-10145	GENERATOR END PLATE, cut w/ spring	29-31	1.50
A-10151	MOUNTING BOLT & NUT to engine block bracket	28-31	1.45
A-10152	GENERATOR TENSION BRKT, an optional brkt to hold the generator for better fan belt tension	28-31	4.95
A-10176	FIELD COIL OR STARTER FIELD SCREW	29-31	0.75

CUTOUT & AMMETER

B-10505-REG	VOLTAGE REGULATOR, 6V, not a diode but a complete electronic regulator in the original cutout	28-31	79.95
B-10505-F	CUTOUT, imported, very dependable	28-31	28.95
B-10505-D	DIODE CONVERSION KIT, w/instructions, for cutout	28-31	6.00
#76	SCREW SET, cutout to generator	28-31	0.75
A-10850	AMMETER, 20-20 dial	28-31	9.50
A-10850-30	AMMETER DIAL 30-30	28-31	8.95
A-10850-A	NUTS, pair	28-31	1.70

STARTER

A-11002	STARTER, REBUILT, exchange only \$50.00 core	28-31	139.95
A-11002-AR	STARTER, REBUILT, early 28 AR, exchange only, \$100.00 core	1928	350.00
A-11002-MB	STARTER MOUNTING BOLTS	28-31	2.80
A-11052-B	STARTER DRIVE BUSHING - 3/4 OD	28-31	1.50
A-11059	BRUSH SPRING	28-31	0.55
A-11005	ARMATURE, reconditioned, exchange ...	28-31	57.95
A-11075	BRUSH SET	28-31	4.95
A-11082	FIELD COIL SET	28-31	49.95
A-11132	SHIM, paper, to adjust gear mesh, starter to housing	28-31	0.50
A-11135-A	END PLATE BUSHING, .688 O.D.	28-29	2.50
A-11135-B	END PLATE BUSHING, .753 O.D.	29-31	2.50
B-11350	STARTER DRIVE including spring, bolts, washers	28-31	29.95
A-11351	KEY WOODRUFF FOR STARTER DRIVE	28-31	.50
A-11375	SPRING, STARTER DRIVE (Bendix spring)	29-31	7.95
A-11378-S	DRIVE BOLT & WASHER SET, 2 of each in large size (3 sizes have been used over the years and our supply is the larger size, the most common size	29-31	2.50

A-11450	SWITCH, START	28-31	19.95
A-11450-G	GASKET, between starter and switch, 28 only	1928	1.00
A-11451-N	BRASS NUT, holds battery cable to switch	28-31	2.50
#77	SCREW SET, to attach switch to top of starter	28-31	0.70
A-11470	PUSH ROD, foot operated to engage starter	28-31	3.50
A-11480	GROMMET, oval for push rod	28-29	1.50
A-11480-A	GROMMET, round for push rod	30-31	0.75
A-11481-A	GROMMET COVER, oval	28-8/30	2.95
A-11481-E	GROMMET COVER, round	9/30-31	2.95
A-11481-MB	COVER SCREWS, for oval grommet cover	28-29	1.50
A-11481-BMB	COVER RIVITS, for roun grommet cover	30-31	1.50
A-11450-F	FUSES, replacement	28-31	0.75
A-11450-SF	SAFETY FUSE, mounts on starter switch	28-31	12.95

IGNITION SWITCH

A-11556	OFF-ON PLATE for instrument panel	28-31	1.25
A-11557	RING for above plate	28-31	2.50
A-11557-B	POPOUT CABLE PATENT PLATE, round	28-31	2.00
A-11575-B	POPOUT CABLE PATENT PLATE, barrel shape	28-31	2.00
A-11575-EM	SWITCH POP OUT LOOKALIKE	28-31	47.95
A-11575-ERM	POPOUT IGNITION SWITCH & CABLE w/clamp	28-31	69.95

A nice repro of Henry's original switch & cable.

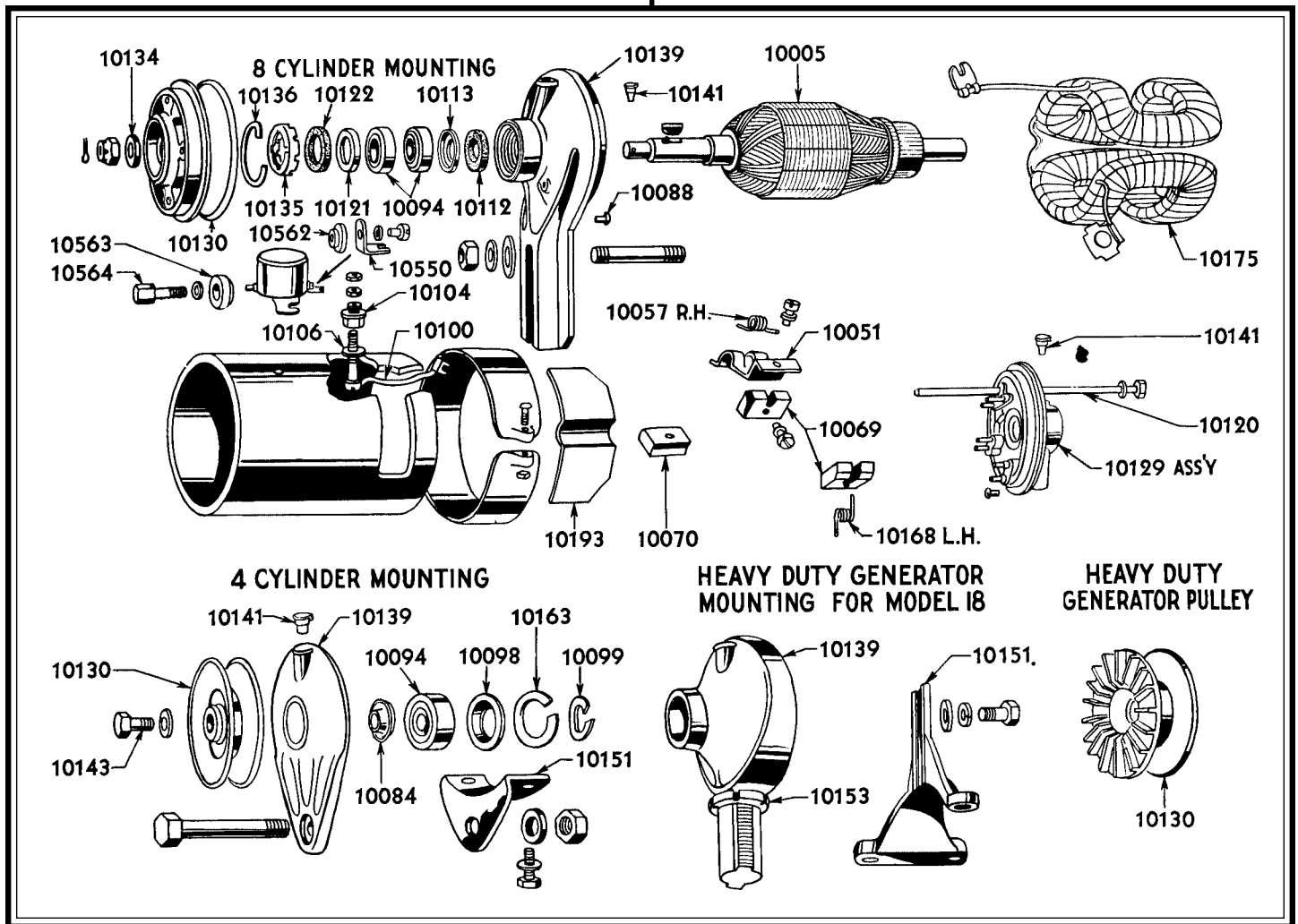
A-11575-K	KEY BLANK FOR REPRO POP-OUT SWITCH	28-31	2.95
A-11575-ER	IGNITION SWITCH & CABLE, Made in U.S.A.	28-31	24.95
A-11575-F	REPLACEMENT IGNITION SWITCH & CABLE	28-31	18.75

Inexpensive & dependable switch w/2 keys, and a thin armored cable to the distributor.

A-11575-K1	REPAIR CABLE for original popout	28-29	25.95
A-11575-K2	REPAIR CABLE for original popout ... early	30	25.95
A-11575-K3	REPAIR CABLE for original popout	30-31	17.95
A-11575-C	CLAMP to cyl head stud for thick cable ..	28-31	2.95
A-11582-A	REPLACEMENT SWITCH & KEYS (no cable)	28-31	12.00
A-11575-J	REPLACEMENT CABLE, thin style (no switch)	28-31	18.95
A-12105-M	MODEN STYLE DIST CAP includes ign. wires & boots	28-34	29.95

INSTRUMENT PANEL

A-11805-A	INSTRUMENT PANEL w/screws, oval speed	28-30	32.50
A-11805-E	INSTRUMENT PANEL w/screws, round speed	30-31	32.50
A-13705	LAMP COVER ONLY, for A-13708-A	28-30	10.95
A-13708-A	LAMP, INSTRUMENT PANEL, for A-11805-A	28-30	22.00
A-13708-B	LAMP, INSTRUMENT PANEL, closed car	30-31	22.00
A-13708-C	LAMP, INSTRUMENT PANEL, open car	30-31	22.00



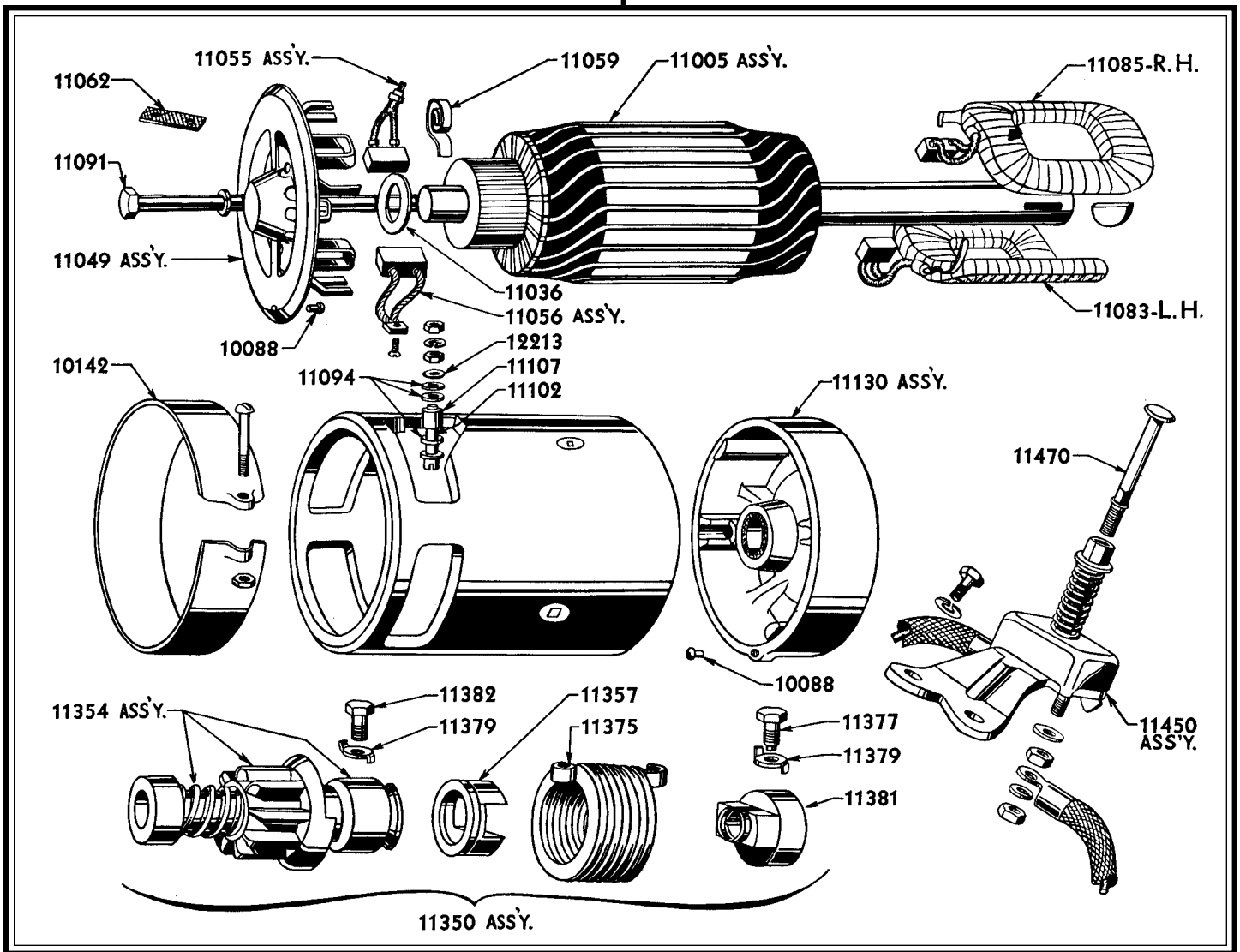
COIL

B-12000	COIL, replacement, order bracket below	28-31	18.95
A-12001	COIL BRACKET	28-31	4.00
A-12000-N	COIL NUTS, slotted sleeve as original, pair	28-31	1.50
#79	SCREW SET to attach any coil to firewall	28-31	0.50

DISTRIBUTOR

A-12100	DISTRIBUTOR, new, no trade in required, best available	28-31	125.00
<i>Order separately, if needed, rotor, cap, body, cam.</i>			
B-12105	BODY, bakelite, w/ brass inserts	28-31	23.95
B-12115	CAP, bakelite, round	28-31	4.50
A-12127-L	SET SCREW & NUT	28-31	1.35
A-12132	BUSHINGS, pair, for upper shaft	28-31	2.50
A-12135	OIL CAP, original spring loaded style	28-31	4.25
A-12135-R	OIL CAP, replacement, toilet seat type action	28-31	0.85
A-12137	SPRING, between upper & lower plates ..	28-31	1.00
A-12144	CAP CLAMPS, pair, with rivets	28-31	3.50
A-12145	RIVETS FOR CAP CLAMPS	28-31	0.60
A-12148	LOWER PLATE with soldered wire	28-31	8.95
A-12148-WL	LOWER PLATE with wireless pigtail	28-31	18.95
A-12151	UPPER PLATE, order point block separately	28-31	5.25

A-12151-C	UPPER PLATE — MODERN — with modern points and condenser mounted on it. Either can be replaced without removing plate from distributor. .	28-31	26.95
A-12160	POINT BLOCK for upper plate	28-31	5.95
A-12178	UPPER SHAFT, precision ground from bar stock	28-31	9.75
A-12178-B	MODIFIED UPPER SHAFT, drilled to facilitate oiling the upper bushing. Comes with new screw at	28-31	12.95
A-12178-L	1-PIECE DISTRIBUTOR SHAFT, aftermarket	28-31	9.75
A-12180	THRUST WASHER for cam, fibre	28-31	0.35
A-12195	SHAFT SLEEVE	28-31	2.00
A-12196	SHAFT SLEEVE PIN	28-31	0.45
A-12199	POINTS, tungsten, USA	28-31	11.95
A-12199-M	POINTS, modern for the A-12151-C plate above	28-31	7.95
A-12200	ROTOR	28-31	3.95
A-12210	CAM, B specs, twice the spark and longer plug life	28-31	14.95
CW-12210	CAM WRENCH	28-31	2.00
A-12211	CAM SCREW (is in hardware kit)	28-31	1.50
A-12249	LOWER SHAFT	28-31	3.95
A-12275-A	SPARK PLUG CONNECTORS, straight style, set of 4	28-5/30	1.75
A-12275-B	SPARK PLUG CONNECTORS, offset style, set of 4	6/30-31	1.85
A-12127	HEAT BAFFLE, accessory shield under distributor to reduce amount of heating reaching condenser	28-31	4.75
A-12127-HP	HEAT BAFFLE (stainless, polished)	28-31	10.95



A-12300	CONDENSOR	28-31	8.95
A-12300-M	CONDENSOR, modern, for the A-12151-C plate above	28-31	5.50

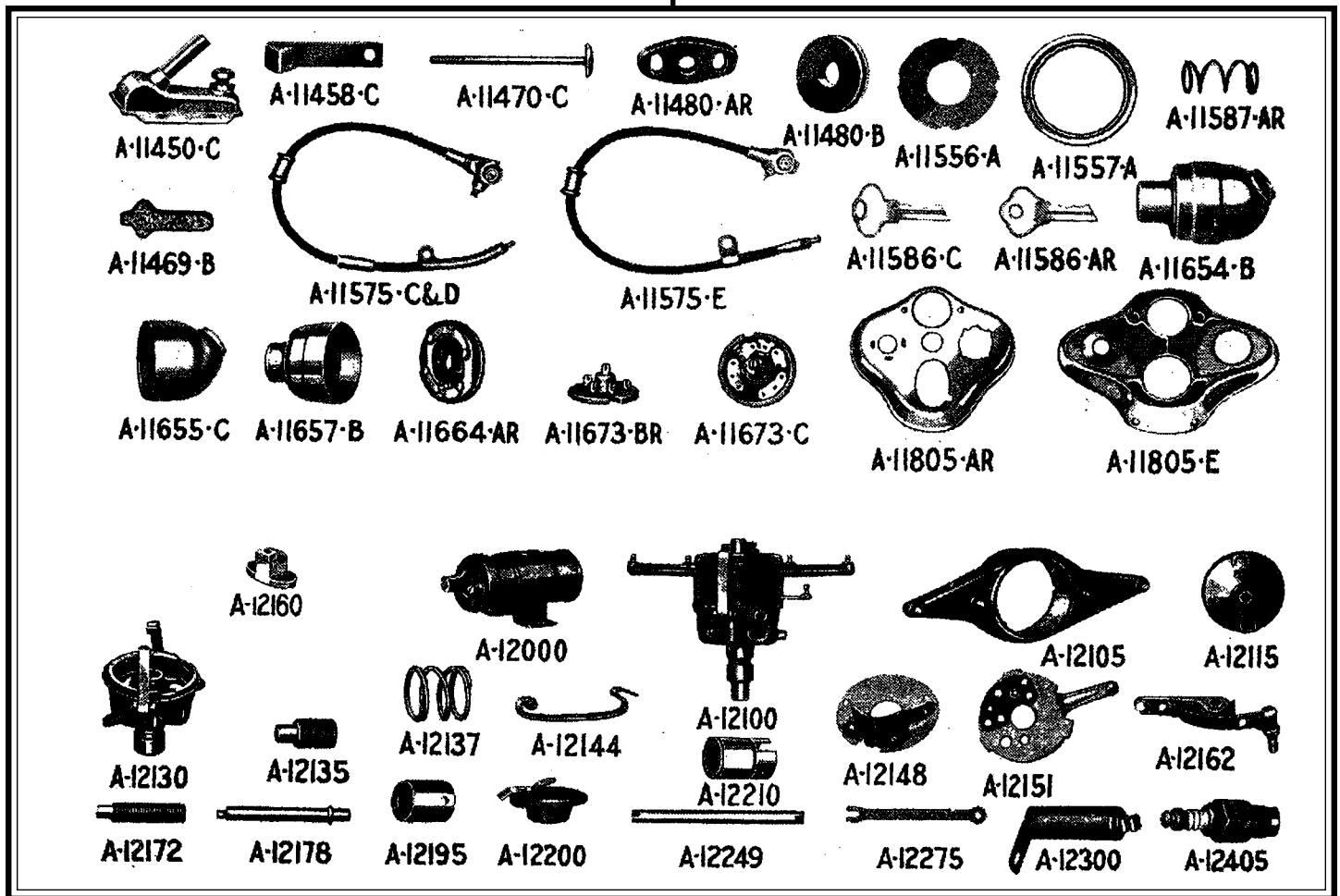
SPARK PLUGS

18-12405	SPARK PLUG, Champion, current production	28-31	7.95
A-12405-M	SPARK PLUG, Autolite	28-31	4.95
A-12405-X	SPARK PLUG, Champion 3X, the brass top, take apart, correct plug for the car. A must for shows!	28-31	28.95
A-12410	GASKET SET, 4 copper gaskets. Above plugs have gaskets, but not copper, as original	28-31	2.90

HEADLAMP

A-13000-A	HEADLAMPS, pair, complete & ready to install. S/Steel shells, choice of 1 bulb or 2 bulb lamps, w/ FORD script	28-29	295.00
A-13000-B	HEADLAMPS, pair, as described above. w/ FORD script	30-31	295.00
A-13001	CLIP at top of headlamp, holds the rim. ..	28-31	3.35

A-13001-AIR	HEADLAMP INNER RING supports headlamp reflector	28-29	10.00
A-13001-BIR	HEADLAMP INNER RING supports headlamp reflector	30-31	10.00
A-13001-RMB	HEADLAMP OUTER RIM, stainless	30-31	29.95
A-13001-RMAR	HEADLAMP OUTER RIM, stainless steel	28-29	30.00
B-13007-D	BULB, 50-32 c.p.	28-31	1.50
A-13011	RIVET SET for headlamp base, threaded for easy application. Set does 2 lamps.	28-31	4.95
A-13017	RIM LATCH SPRINGS	28-31	1.00
A-13025-B	REFLECTOR, 2 bulb, chrome plated	28-31	28.00
A-13025-C	REFLECTOR, 1 bulb, chrome plated	28-31	28.00
A-13027-QK6	HALOGEN REFLECTOR KIT, 6V, includes reflectors, sockets & bulbs	28-31	95.00
A-13027-QK12	HALOGEN REFLECTOR KIT, 12V	28-31	90.00
A-13027-QK12TS	HALOGEN REFLECTOR KIT, 12V, with turn signals	28-31	98.00
A-13044-ASS	T-BAR BRACKET	28-29	6.00
A-13044-BSS	RIM LATCH REPAIR SET	30-31	6.00
A-13047	U-CLIP, small clip, bottom of bucket that T-bar hooks to	28-31	1.50
A-13058-A	HATCH BRACKET	28-29	1.50
A-13058-B	HATCH BRACKET	30-31	1.50
A-13059	T-BARS	28-31	1.95
A-13060-A	LENS	1928	19.95
A-13060	LENS	29-31	19.95
A-13061	LENS RETAINERS, set 6	28-31	2.50



B-13066	REFLECTOR GASKETS	28-31	2.50
A-13073-S	HEADLAMP SOCKET HOLDER, ea.	28-31	4.95
A-13073-SA	HEADLAMP SOCKET HOLDER, ea.	28-28	3.40
A-13075	SOCKET FERRULES, for sealed beams.	28-31	4.95
A-13075-A	SOCKET & WIRING SET, for 1 lamp	1928	8.95
A-13075-B	SOCKET & WIRING SET, for 1 lamp	1929	10.00
A-13075-BR	SOCKET & WIRING SET, for 2 lamp	28-29	10.00
A-13075-C	SOCKET & WIRING SET, for 1 lamp	30-31	10.00
A-13075-CR	SOCKET & WIRING SET, for 2 lamp	30-31	8.95

Above Socket & Wiring Sets include parking lamp socket & wiring, which you simply snip off for use in vehicle with cowl lamps.

A-13101-A	FOCUS SPRING & SCREW SET, 2 of each	28-29	1.50
A-13101-B	FOCUS SPRING & SCREW SET, 2 of each	30-31	1.50
A-13145	FRONT LICENSE PLATE CLAMP SET	28-31	6.50
A-13145-S	LICENSE PLATE CLAMPS, stainless steel	28-31	9.95
A-13130-AS	PAD, headlamp bar to fender, pair	28-29	2.85
A-13130-BS	PAD, headlamp bar to fender, pair	30-31	3.50
A-13119	BOLT SET, headlamp bar to fender brace	28-31	3.50
A-13119-SS	BOLT SET, headlight bar to fender, stainless steel	28-31	9.95
#81	NUTS, pair, headlamp to bar	28-31	1.25
A-14578-A	CONDUIT SET, 3 pce w/ferrules	1928	16.95
A-14578-B	CONDUIT SET, 3 pce w/ferrules	29-31	10.00
A-14584-A	HEADLAMP BASE PLUG, w/brass connectors, each	1928	4.95
A-14584-B	HEADLAMP BASE PLUG, bakelite, 3 wire	29-31	1.25

COWL LAMPS

A-13302-AR	COWL LAMPS, s/steel shells, die cast chrome arms, complete ready to install ...	28-29	145.00
A-13302-ES	COWL LAMPS, as above	30-31	145.00
A-13302-ARTS	COWL LAMP WITH TURN SIGNAL	28-29	165.00
A-13302-ESTS	COWL LAMP WITH TURN SIGNAL	30-31	165.00
A-13303-TA	COWL LAMP TURN SIGNAL KIT	28-29	35.00
A-13303-TB	COWL LAMP TURN SIGNAL KIT, equips your cowl lamps to be used as turn signals.	30-31	35.00
<i>Includes new reflectors, sockets for two filament bulbs, etc.</i>			
A-13301-AR	COWL LAMP ARMS, pair, w/bolts	28-29	85.00
A-13301-BS	COWL LAMP ARMS, pr w/ bolts	30-31	85.00
A-13302-BT	COWL LAMP TO ARM SCREWS	28-31	1.50
A-13304	BOLTS, hollow for wire, each	30-31	2.00
A-13306-AR	COWL LAMP RIMS, stainless steel, ea.	28-29	12.50
A-13306-B	COWL LAMP RIMS, stainless steel, ea.	30-31	12.50
A-13308-AR	LENS	28-29	6.00
A-13308	LENS	30-31	6.00
A-13309-AR	LENS GASKETS, pair	28-29	1.75
A-13309	LENS GASKETS, pair	30-31	1.75
A-13310	TURN SIGNAL LEVER KIT	28-31	58.00
A-13311	TURN SIGNAL FLASHER, 6 volt with 3 contacts	28-31	5.50
A-13315-C	REFLECTOR, each	30-31	8.25
A-13315-AR	COWL LAMP REFLECTOR	28-29	12.50
A-13316	LENS RETAINING CLIP SET, does 2 lamps	30-31	1.65
A-13318	WOOD BLOCKS for mounting lamps, pair	30-31	3.75

TURN SIGNALS

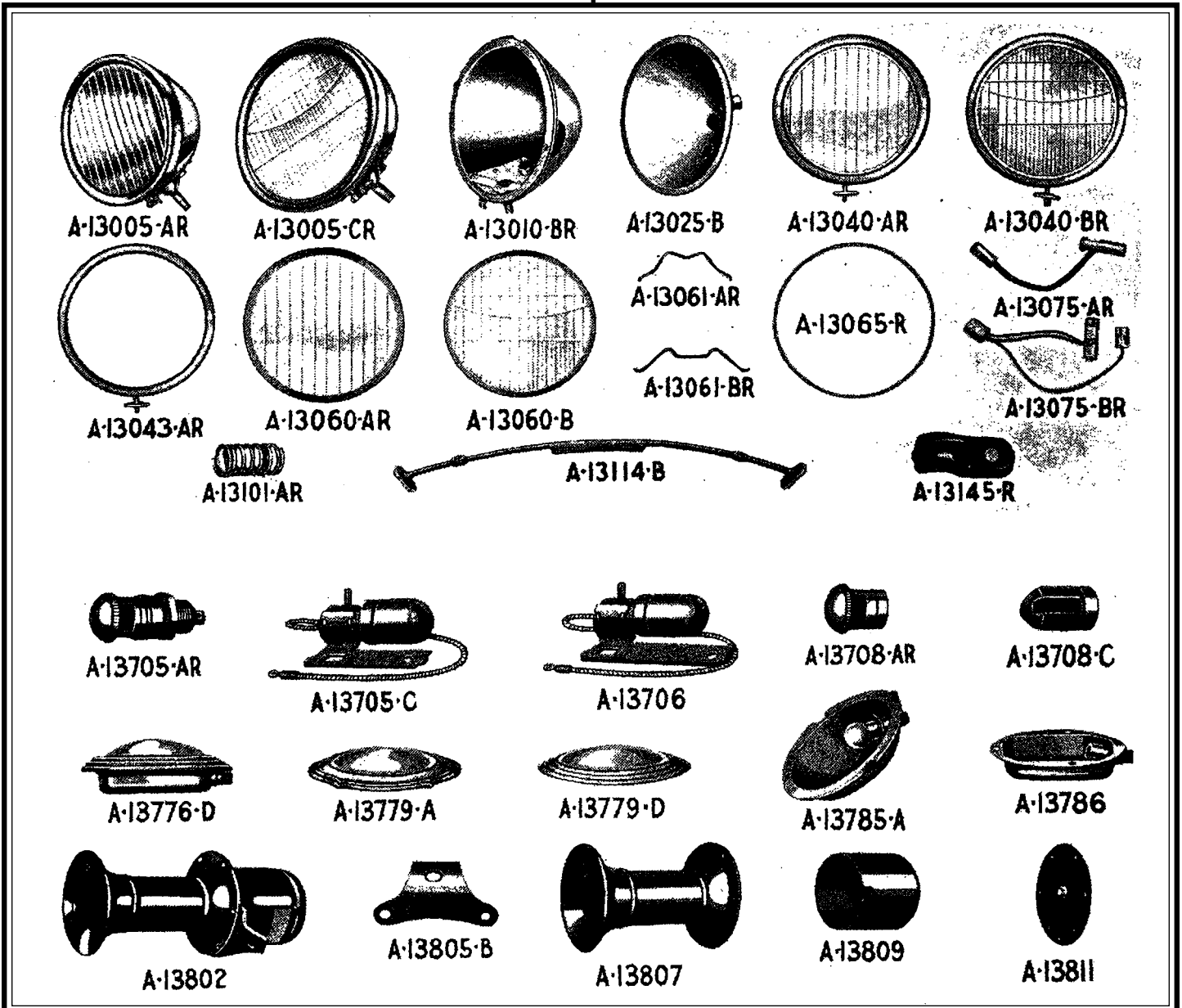
A-13310-USA TURN SIGNAL SWITCH,
USA Signal 28-31 65.00

TAIL LAMP

1928 items are for the drum style lamp used thru Feb. 1929. Items listed 1929-31 are for the teacup style lamp mounted on fender bracket (passenger cars), Feb. 1929 thru 1931.

A-13405-AR TAIL LAMP w/license bracket 1928 130.00
 A-13405-DL TAIL LAMP, s/steel, left side 29-31 29.95
 A-13405-DR TAIL LAMP, s/steel, right side 29-31 29.95
 Duolamp insignia. Left lamp has license plate white lens.
 A-13406 LICENSE PLATE BRACKET, rear 29-31 6.50
 A-13406-SS LICENSE PLATE BRACKET, stainless . 28-31 15.00

A-13410-AR BULB SOCKET 1928 23.95
 A-13440-AR DRUM TAIL LIGHT, body, nickel 28-28 120.00
 A-13440-ARC DRUM TAIL LIGHT, body, blk, comm. 28-28 24.00
 A-13445-AR WHITE LENS 1928 9.95
 A-13445 WHITE LENS 29-31 3.50
 A-13447 WHITE LENS GASKET 29-31 0.75
 A-13446 WHITE LENS RETAINER SET,
 w/screws 29-31 1.25
 #733-0 SOCKET SHELL ONLY 29-31 1.50
 A-13448 DOOR (rim), polished s/steel 28-31 6.50
 A-13456 SNAP RING, holds lens into door 29-31 0.95
 A-13450-AR RED LENS 1928 7.50
 A-13450 RED LENS 29-31 7.50
 A-13450-F RED & AMBER LENS, fused glass 29-31 7.50
 A-13450-FS RED LENS with word STOP 29-31 9.95
 A-13450-BD RED LENS with blue dot center 29-31 13.50
 A-13461 GASKET for any above 29-31 lens 29-31 0.65
 A-13461-AR DRUM TAILLIGHT GASKET 28-31 1.00
 A-13465 BULB, 21 cp stop lamp (Bx 10 \$8.55) .. 28-31 0.95
 A-13466 BULB, 3 cp license (Bx 10 \$8.55) ... 28-31 0.95



TAIL LAMP MOUNTING BRACKETS

A-13463	REINFORCEMENT PLATE under fender	29-31	3.00
A-13467	WEATHERSHIELD behind lamp, p/up & wagon	29-31	5.95
A-13470-AR	BRACKET for pickup	1928	12.50
A-13470-B	BRACKET for pickup & AA	29-31	10.95
A-13471-AR	BRACKET for cpe/rdstr/cabr.	1928	23.95
A-13470	BRACKET ON FENDER for passenger, left	29-31	12.50
A-13471	BRACKET ON FENDER for passenger, right	29-31	12.50
A-13472-B	BRACKET, after 7/29 - end, station wagon, delivery	29-31	7.95
A-13471-MB	BOLTS, nuts, 3 of each for A-13470/1	29-31	1.50
A-13520	PAD, fender bracket to fender	29-31	1.20

DOMELAMP

A-13771	DOMELAMP, round, requires separate switch	28-31	39.75
A-13771-WS	DOMELAMP, round, w/switch on its rim	28-31	39.75
A-13769	SWITCH to mount on door post	28-31	8.60
A-13770	ESCUTCHEON plate for above switch	28-31	2.50
A-13466	BULB, 3 cp	28-31	0.95

HORN

A-13802	HORN, perfect reproduction, parts are interchangeable with original	28-31	269.95
A-13802-SP	SPARTON DATA PLATE FOR HORN .	28-31	1.00
A-13805-A	HORN BRACKET	28-30	3.45
A-13805-B	HORN BRACKET	4/30-31	3.95
A-13807	HORN PROJECTOR, with flange	28-31	69.95
A-13809	HORN MOTOR COVER, marked ADJUST	28-31	8.50
A-13809-F	HORN MOTOR COVER, marked ADJUST, SPARTON, Ford	28-31	11.25
A-13809-S	HORN MOTOR COVER, marked ADJUST, SPARTON	28-31	9.95
A-13809-SC	HORN COVER SCREW. current shoulder and finish	28-31	0.75
A-13811	DIAPHRAGM	28-31	5.95
A-13812	DIAPHRAGM GASKETS, pair	28-31	1.50
A-13816	HORN FLANGE BOLT SET	28-31	2.60
A-13817	MOTOR BRUSH & SPRING SET	28-31	2.25
A-13840	SCREEN	28-31	1.95

WIRING

A-11646	LIGHTING HARNESS, cars w/cowl lamps (Also order A-14431 listed below), one bulb	28-31	41.36
A-11647	LIGHTING HARNESS, cars w/out cowl lamps, two bulb	28-31	45.00

Either harness above can be modified for 1928 cars.

A-14300	BATTERY CABLE TO STARTER SWITCH, copper wire, cotton loom, plated brass terminals.	28-31	12.95
a-14300-c	BATTERY DISCONNECT,sw	28-31	11.95
A-14300-MS	MASTER DISCONNECT SWITCH,		

	Install this USA made heavy duty switch between	28-31	19.95
A-14301	BATTERY GROUND, braided wire style	28-31	9.50
A-14301-B	BATTERY GROUND, original copper strip style	28-31	13.50
A-14550	BRACKET to support A-14300 w/grommet	28-31	4.00

DASH & ENGINE WIRING

A-14302	HIGH TENSION coil to distributor	28-31	1.85
A-14305	SHORT WIRE coil to terminal box	28-31	2.10
A-14401	INSTRUMENT PANEL HARNESS, color coded	28-31	10.95
A-14405	GENERATOR / STARTER HARNESS, color coded	*	7.50
A-14406	GENERATOR / STARTER HARNESS in metal tube	28-29	17.85
A-14406-A	GEN CUTOUT WIRE	28-31	9.90

**Original for 30-31, but fits OK for 28-29 also.*

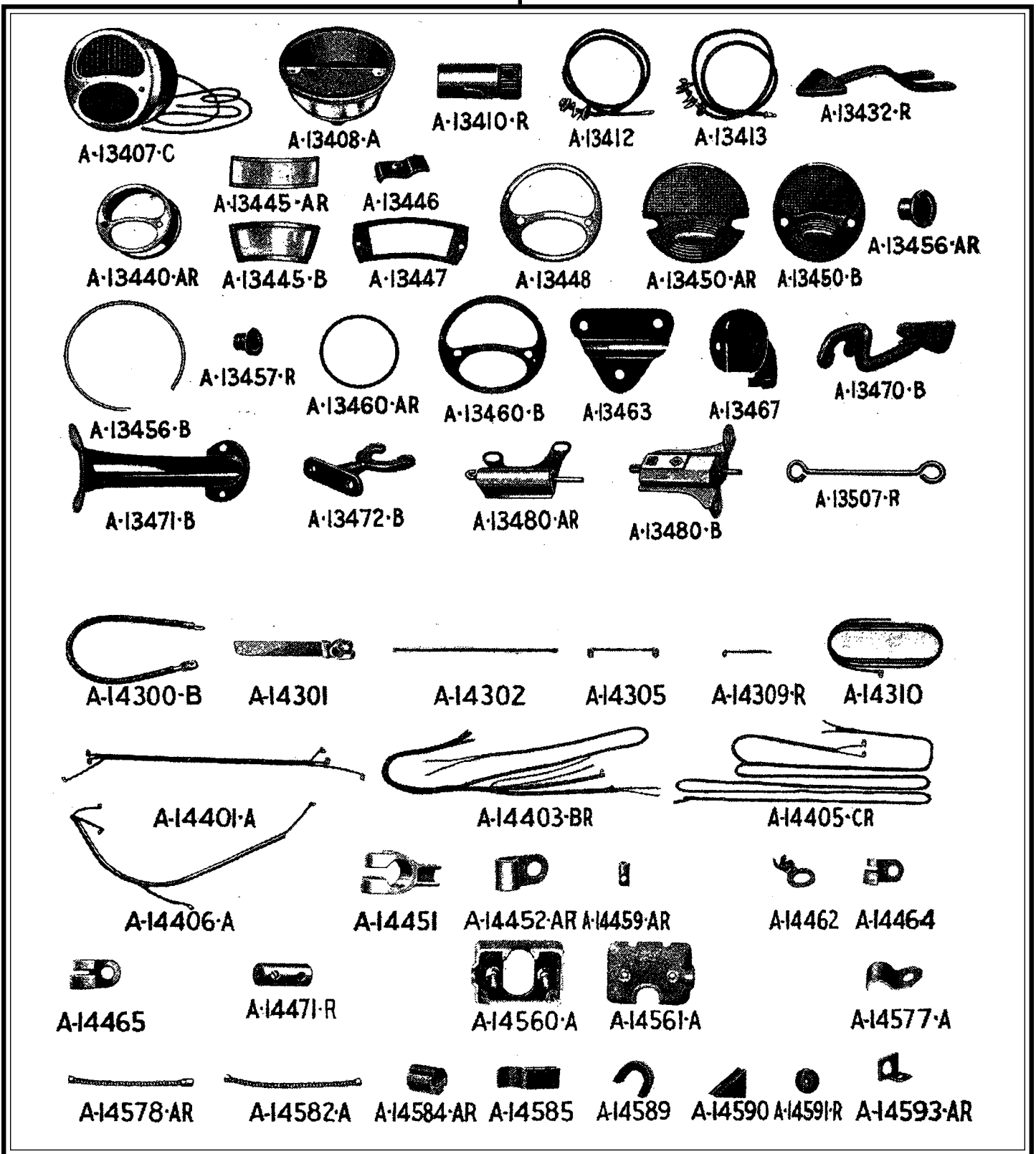
OTHER HARNESSES

A-14431	COWL LAMP EXTENSION . . . Connects A-11646 to cowl lamp pigtails. Also order 3 B-14487	28-31	8.75
A-14423	TAIL LAMP EXTENSION . . . Connects power to optional second tail lamp. Also order 6 B-14487	28-31	8.75
B-14486	WIRE TIPS, bullet shaped tips for custom wiring work, pkg 10	28-31	2.95
A-14487	WIRE CONNECTORS, double female sleeve w/rubber cover, joins wires with bullet tips, ea.	28-31	0.50
A-14576-MB	WIRE CLIP BOLT	28-31	0.35
A-14564-A	COWL WIRE CONNECTOR, O-clip (Connects connector for cowl lights to main wire harness)	28-29	8.75
A-14564-B	COWL WIRE CONNECTOR, S-clip (Connects connector for cowl lights to main wire harness)	30-31	8.75
A-14597-A	HOLLOW FABRIC LOOM, protective covering for wires traveling side by side, 5/16 ID. Per foot	28-31	0.60
A-14597-B	HOLLOW FABRIC LOOM, 1/2 I.D. Per foot	28-31	0.60

WIRE CLIPS

A-14577-A	WIRE CLIP, firewall & water inlet	28-31	1.00
A-14577-B	WIRE CLIP for metal conduit generator loom	1928	1.50
A-14585	FRAME WIRE CLIPS for tail lamp wires, package 10		1.75

***We buy and sell passenger cars & pickups.
See our "Classic Car Sales" link at
www.earlyford.com***



SOCKET REPAIR WIRES

A-13412-AR	TAIL LAMP SOCKET REPAIR w/pigtails, pr	1928	2.85
A-13412-C	COWL LAMP SOCKET REPAIR w/pigtails, pr	28-31	3.50
A-13412	TAIL LAMP SOCKET REPAIR w/pigtails, set	29-31	4.50

STOP LAMP SWITCH

A-2457	CLEVIS PIN for switch link	28-29	2.00
A-13480-A	STOPLAMP SWITCH, mounts on transmission	28-29	9.95
A-13480-B	STOPLAMP SWITCH, mounts on crossmember	30-31	9.95
A-13507	LINK to operate switch A-13480	28-29	1.50

HEADLAMP SWITCH

B-11655-S	HEADLAMP SWITCH at bottom steering col.	28-31	18.50
-----------	---	-------	-------

TERMINAL BOX

A-14560	TERMINAL BOX with lid & mounting hdwe.	28-31	9.75
A-14561-W	WING NUT, solid brass, each	28-31	1.95
A-14561	LID (cover)	28-31	2.50
A-14560-G	GROMMET	28-31	1.00
A-14567	GROMMET FOR SPEEDO CABLE THROUGH FIREWALL	28-31	0.75

COWL & FIREWALL AREA

A-9000	COWL WELT, 10 feet, for gas tank installation	28-31	3.75
A-14600-A	FIREWALL GROMMET SET, 1928 thru mid 1931	28-31	6.50
A-14600-B	FIREWALL GROMMET SET, 1931 indented firewall vehicles	1931	6.00
A-16738	COWL BAND, stainless steel trim band, with mounting hardware (Add \$5.00 crating charge	30-31	75.00

RUNNING BOARDS & RELATED STUFF

Heavy 16 gauge construction with die formed brackets and braces exactly as original. All holes punched. Best on market. No mat or trim.

RUNNING BOARDS

A-185-ASS	RUNNING BOARDS w/ stainless steel trim and rubber matting, rib style	28-29	215.00
A-184-B1	RUNNING BOARD w/ matting and stainless steel trim	31-31	215.00
A-185-B1SS	RUNNING BOARDS w/ matting, stainless steel trim and splash aprons, pair	30-30	310.00
A-185-B2SS	RUNNING BOARD w/ matting and stainless steel trim, pyramid design	30-30	195.00

*RUNNING BOARDS, show car quality, exact duplicate of originals.
31 boards have rubber molded to the boards like the originals*

A-185-AH	RUNNING BOARD, show quality	28-29	110.00
A-185-CH	RUNNING BOARD, show quality	31-31	275.00

COMMERCIAL RUNNING BOARDS

A-185-D	RUNNING BOARD, 100% AUTHENTIC	28-29	250.00
A-185-E	RUNNING BOARD, 100% AUTHENTIC	30-31	250.00

RUNNING BOARD MAT AND TRIM

A-16455-RM	1928-29 CAR RUNNING BOARD MAT, rib pattern, pr	28-29	35.00
A-16455-PM	1930-31 CAR RUNNING BOARD MAT, pyramid design, pr	30-31	20.00

A-16462-AZ	1928-29 CAR RUNNING BOARD METAL TRIM SET, 8 pc (zinc)	28-29	43.00
A-16462-AS	1928-29 CAR RUNNING BOARD METAL TRIM SET, 8 pc (stainless steel)	28-29	65.00
A-16462-CZ	1930 CAR RUNNING BOARD METAL TRIM SET, 8 pc (zinc)	1930	34.95
A-16462-CSS	1930 CAR RUNNING BOARD METAL TRIM SET, 8 pc (stainless steel)	1930	43.00
A-16462-CIZ	1931 CAR METAL TRIM, pair of outer zinc strips	1931	30.00
A-16462-CIS	1931 CAR METAL TRIM, pair of stainless steel outer strips	1931	29.95

The correct authentic trim is zinc. 1931 used trim on the outside portion only.

RUNNING BOARD STEP PLATES: See Accessories section

MOUNTING HARDWARE & BRACES

A-16452	DOME HEAD BOLT SET for use with cast iron braces	28-29	3.15
A-16453	DOME HEAD BOLT SET for use with stamped braces	29-31	2.75
A-16466	BOLTS to install original style 1930 trim strips	1930	5.50
A-16485-B	BRACE FROM FRAME, towards FRONT of car, each	28-31	18.95
A-16488-BL	BRACE FROM FRAME, towards REAR of car, Left	28-31	16.50
A-16489-BR	BRACE FROM FRAME, towards REAR of car, Right	28-31	16.50
A-5125-MB	RUNNING BOARD BRACKET MOUNTING BOLTS	28-31	3.00

RUNNING BOARD SPLASH APRON

A-16050	1930 SHORT APRON, attaches to front fender, right side	1930	56.00
A-16051	1930 SHORT APRON, attaches to front fender, left side	1930	56.00
A-140-AR	1928 APRONS, early, pr.	1928	195.00
A-140-A	1928-29 APRONS, w/hump, pr.	28-29	265.00
A-840-B	1930 CAR AND PICKUP APRONS, pr (to 6/30)	1930	145.00
A-040-C	1931 APRONS for car and for pickup, pair (6/30 to end 1931)	1931	179.50

RADIATOR SPLASH APRON

A-16527-A	APRON, die stamped	28-29	38.50
A-16527-B	APRON, die stamped	30-31	38.50
A-16529-A	FELT PAD SET	28-29	1.25
A-16529-B	FELT PAD SET	30-31	1.00
A-16527	STUD SET, round, w/hardware	30-31	5.75
A-16528	STUD SET, hexagonal, w/hardware	30-31	18.00
#22	SCREW SET thru fender to apron	28-29	1.75
#24	SCREW SET thru fender to apron	30-31	1.75

LACING

A-16739-AS	RADIATOR SHELL LACING w/rivets ..	28-29	8.00
A-16739-BS	RADIATOR SHELL LACING w/rivets ..	30-31	10.00
A-16739-R	LACING RIVETS (split), pkg	28-31	1.75
A-16739-AC	COWL LACING HOOK (wire attaches to this)	28-29	1.95

A-16740-AS	COWL LACING KIT, replacement style with no wire	28-29	9.95
A-16740-OS	COWL LACING KIT, original style with wire	28-29	12.50
A-16740-BS	COWL LACING KIT, w/rivets & clips	30-31	12.95

HOOD

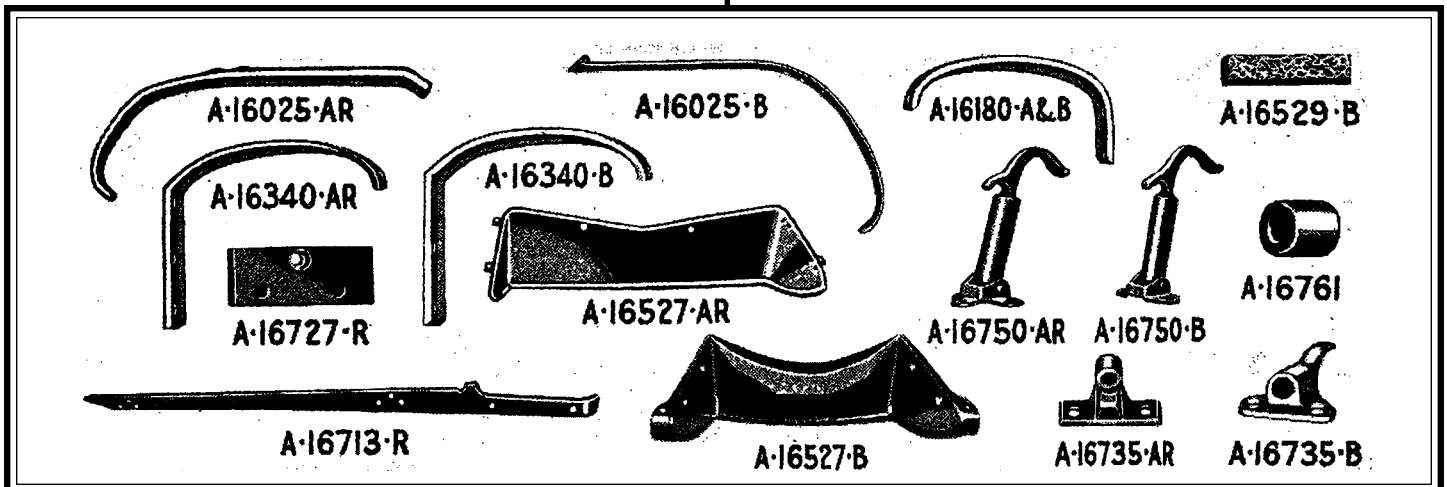
A-16613-SS	HOOD PROP, stainless steel	28-31	25.00
A-16609	HOOD HANDLES, pr.	28-31	24.95
A-16611-A	HOOD ROD SET, 3 piece, s/steel	28-29	16.95
A-16611-B	HOD ROD SET	30-31	16.50
A-16621/2	HOOD CORNERS, leatherette, w/rivets, pair	28-31	3.50
A-16713/4	HOOD SHELVES, pair, 28-29 only	28-29	37.50
A-16715	HOOD SHELF WOOD BLOCK SET, 4 pieces	28-29	8.75
A-16718	HOOD CENTER BUMPER METAL CLAMP SET, pair	30-31	5.95
A-16735-A	RETAINER ON COWL, for center hood rod	28-29	5.95
A-16735-B	RETAINER ON COWL, for center hood rod, standard	30-31	5.95
A-16735-C	RETAINER ON COWL, for center hood rod, chrome, Deluxe	30-31	8.95
#84-A	SCREWS for above 1928-29 retainer	28-29	1.00
#84-B	SCREWS for above 1930-31 retainers	30-31	1.00
A-16750-A	HOOD LATCH, 3 hole, steel	28-29	8.00
A-16750-ASS	HOODLATCH, 3 hole, stainless	28-29	13.25
A-16750-B	HOOD LATCH, 2 hole, steel	30-31	8.00
A-16750-BSS	HOODLATCH, 3 hole, stainless	30-31	13.25
A-16750-BU	LATCH BUMPER (4)	28-31	2.50
A-16750-CAP	HOOD LATCH CAP SET, accessory item to prevent scratches	28-31	2.00
A-16750-PAD	HOOD LATCH PADS	30-31	4.00
#30	SCREW SET, does 4 hood latches	28-29	3.00
#32	SCREW SET, does 4 hood latches	30-31	1.95
A-16761-A	HOOD RUBBER BUMPER SET with mounting hardware, round style used 1928 thru March 1931	28-31	4.50
A-16761-B	HOOD RUBBER BUMPER SET with mounting hardware, triangular style used March 1931 to end	1931	4.50

WINDSHIELD WIPER

The electric wipers we sell are replacements designed to mount inside the car, as typical roadster & phaeton.

A-17508-C1B	VACUUM WIPER MOTOR closed cars	28-31	95.00
-------------	---	-------	-------

A-17508-E6	ELECTRIC WIPER, 6 volt, mounts inside	28-31	37.50
A-17508-E12	ELECTRIC WIPER, 12 volt, mounts inside	28-31	37.50
A-17508-RK	REPAIR KIT FOR VACUUM WIPER MOTORS	28-31	39.95
A-17508-SS6	WIPER MOTOR, electric w/ arm and blade, stainless, 6v	28-31	45.00
A-17508-SS12	WIPER MOTOR, electric w/ arm and blade, stainless, 12v	28-31	45.00
A-17513	CHROME KNOB for vacuum wiper	28-31	1.85
A-17517-S	WINDSHIELD POST VACUUM LINE w/clips, open car, Std.	30-31	6.95
A-17517-D	WINDSHIELD POST VACUUM LINE w/clips, open car, DeL.	30-31	6.50
A-17528	WIPER BLADE, approx. 7 1/4	28-31	3.50
B-17528	WIPER BLADE, approx. 7 1/2, for open cars	28-31	3.50
68-17528	WIPER BLADE, approx. 8 1/4, for closed cars	28-31	3.50
A-17529	ARM, black	28-29	3.50
B-17529	ARM, SS, for motor inside the car	30-31	5.00
A-17534	CONTROL UNIT, w/knob to operate wiper outside under visor	28-31	3.50
A-17540	MANIFOLD FITTING for vacuum line ..	28-31	1.10
A-17541	FIREWALL FITTING for vacuum lines ..	28-31	3.50
A-17543-F	VACUUM LINE FITTING, for end of line	28-31	0.50
A-17543	VACUUM LINE, manifold to firewall, w/fittings	28-31	3.50
A-17544	VACUUM LINE, firewall to windshield top, closed cars, w/fit	28-31	4.95
A-17565	ARM for original electric wipers	28-30	19.95
A-17670	CHROME CLIP, rubber hose to windshield frame, open cars	28-31	1.65
A-17520	RUBBER HOSE, 6 foot piece	28-31	2.50
A-17655-AR	HAND OPERATED WIPER, complete with arm & blade	28-31	21.00
A-14591	GROMMET for original electric wiper wire thru bracket	28-31	0.50
#86-A	BOLT SET to install wiper under visor, outside	28-31	1.00
#86-B	BOLT SET to install wiper to windshield frame clamps	28-31	1.00
A-17589	CLAMP SET, chrome, clamps wiper to windshield frame, open car	28-31	4.95
A-17675	ELECTRIC WIPER CONNECTION	28-30	5.50



SPEEDOMETER

Oval speedometer was installed 1928 until June 1930, after which the round Speedometer was installed until the end of production.

A-17255-A	DECAL, Stewart-Warner oval speedo	28-30	3.50
A-17255-B	DECAL, Stewart-Warner round speedo ...	30-31	3.00
A-17255-C	DECAL, Waltham, round speedo	30-31	3.00
A-17255-MB	MOUNTING BOLT SET FOR SPEEDOMETER	28-31	0.95
A-17256-A	LENS, for oval speedo	28-30	1.50
A-17256-B	LENS, for round speedo	30-31	1.50
A-17260-A	CABLE & CASE ASSEMBLY for oval speedo	28-30	29.95
A-17260-B	CABLE & CASE ASSEMBLY for round speedo	30-31	23.50
A-17262-A	CABLE only, for oval speedo	28-30	8.95
A-17262-B	CABLE only, for round speedo	30-31	8.95
A-17265-A	SUPPORT CLAMP for A-17260-A cable & case ass'y	28-30	2.65
A-17265-B	SUPPORT CLAMP for A-17260-B cable & case ass'y	30-31	2.65
A-17270-A	SPEEDO DRIVE GEAR for 3:78, rear	28-31	14.95
A-17270-B	SPEEDO DRIVE GEAR, 3:54 ratio, rear	28-31	14.95
A-17273-R	SPEEDO DRIVE GEAR SHAFT, round end cable for oval speedo	28-30	19.95
A-17273-S	SPEEDO DRIVE GEAR SHAFT, for square end cable	30-31	19.95
A-17275	GASKET for gear & case on driveshaft ...	28-31	0.50
#85	BOLT SET for gear & case to driveshaft.	28-31	0.75
A-17286	SPEEDOMETER DRIVE GEAR SNAP RING	28-31	1.00
A-17290	THRUST WASHER used 1928-48 for speedo drive gear	28-31	2.00
A-14567	GROMMET for cable thru firewall	28-31	0.75

MIRRORS

INSIDE MIRRORS

A-17681	MIRROR w/black bracket, open car	28-29	17.50
A-17681-P	MIRROR w/plain bracket, closed car	30-31	19.95
A-17682	MIRROR w/black bracket, closed car	28-29	17.50
A-17681-S	MIRROR w/stainless bracket, open car ...	30-31	27.50
A-17682-B	MIRROR w/black bracket, closed car	30-31	29.95
A-17704	MIRROR GLASS only, 2-1/2 x 5		5.00

OUTSIDE MIRRORS

A-17700-PU	MIRROR CLOSED CAB PICKUP	28-29	29.95
A-17704-A	WINDSHIELD POST MIRROR, chrome, open car	28-29	40.00
A-17704-P	WINDSHIELD POST MIRROR, stainless steel, open car	30-31	40.00
A-17710	SIDEMOUNT TIRE MIRROR, chrome, w/leather strap	28-31	50.00
A-17741-AL	DOOR HINGE MIRROR, chrome, left ..	28-29	40.00
A-17741-AR	DOOR HINGE MIRROR, chrome, right .	28-29	40.00
A-17741-BL	DOOR HINGE MIRROR, chrome, left ..	30-31	40.00
A-17741-BR	DOOR HINGE MIRROR, chrome, right .	30-31	40.00

Above cannot be used on slant windshield closed cars.

A-17741	HINGE MIRROR, black, w/bracket,p/u ..	30-31	22.95
A-17741-MH	HEAD ONLY	28-31	20.00
A-17741-HP	HINGE PIN, extra long, for installing hinge pin mirrors (included free with chrome mirrors)	28-31	2.00
A-17741-U	4" MIRROR, straight arm, clip on	28-31	32.00
A-18414-R	PEEP MIRROR	28-31	32.00
B-18414-L	PEEP MIRROR, 4" clamps on door curved arm, stainless steel, left	28-53	32.00

B-18414-R	PEEP MIRROR, 4" clamps on door curved arm, stainless steel, right	28-53	32.00
HR-18414-L	PEEP MIRROR, 3" clamps on door curved arm, stainless steel, left	28-53	32.00
HR-18414-R	PEEP MIRROR, 3" clamps on door curved arm, stainless steel, right	28-53	32.00

BUMPERS

A-17757-AC	FRONT FACE BARS, chrome	28-29	250.00
A-17757-AS	FRONT FACE BARS, stainless steel	28-29	300.00
A-17757-BC	FRONT FACE BARS, chrome	30-31	250.00
A-17757-BS	FRONT FACE BARS, stainless steel	30-31	300.00
A-17784-AC	REAR FACE BARS, chrome	28-29	265.00
A-17784-AS	REAR FACE BARS, stainless steel	28-29	300.00
A-17784-BC	REAR FACE BARS, chrome	30-31	265.00
A-17784-BS	REAR FACE BARS, stainless steel	30-31	300.00

BUMPER ARMS FROM FRAME

A-17754-A	FRONT ARMS, pair	28-29	65.00
A-17754-E	FRONT ARMS, pair	30-31	65.00
A-17777/8B	REAR ARMS w/3 stands, sedans, pair	28-29	189.00
A-17777/8C	REAR ARMS w/4 1/2 stands, sedans, pair	30-31	189.00
A-17777/8D	REAR ARMS w/5 stands, cpe/rdstr, pair	28-31	189.00
A-17823	STAND ONLY, each, specify 3, 4 1/2 or 5	28-31	7.95

LARGE BUMPER CLAMPS

A-17756-A	BACKING PLATE, plain	28-29	7.75
A-17756-B	BACKING PLATE, patterned	30-31	7.75
A-17758-B	LARGE BUMPER CLAMP, forged, chrome	28-30	15.95
A-17758-C	LARGE BUMPER CLAMP, stainless steel clad	30-31	15.95

Changeover from A-17758-B to A-17758-C late spring 1930.

A-17758-S	STAINLESS COVER only (each)	30-31	4.25
A-17751-DC	DECAL set, 4 pce, simulates blue paint ..	28-31	3.50

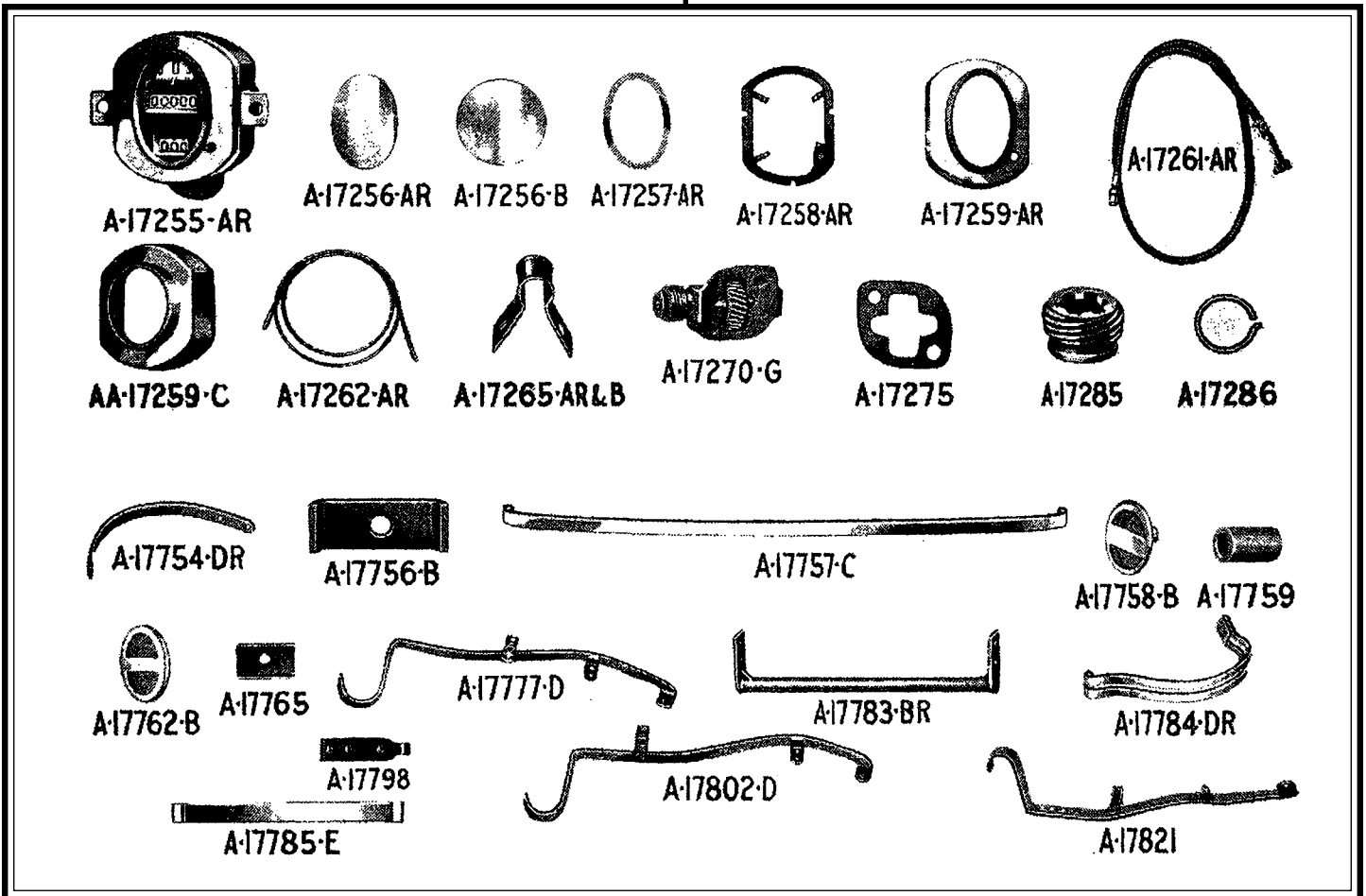
CENTER BUMPER CLAMP

A-17762-AR	CENTER CLAMP, round, Ford, Made In USA	1928	8.25
A-17762-B	CENTER CLAMP, round, Ford	28-29	6.25
A-17762-S	CENTER CLAMP, oval, stainless clad	31-31	7.00
A-17762-D	DECAL for oval clamp A-17762-S	29-31	1.25
A-17765	BACKING PLATE FOR ANY CENTER CLAMP	28-31	1.10
A-17682-C	CENTER BUMPER CLAMP, chrome	30-30	7.50

**BUMPER INSTALLATION
HARDWARE**

A-17759	SPACERS (to be painted black), pair	28-31	2.00
A-17759-S	SPACERS, polished stainless steel, pair ..	28-31	5.00
A-17834	END BOLTS w/nuts, cadmium, pair	28-31	3.50
A-17834-S	END BOLTS w/nuts, stainless steel, pair	28-31	11.50

Factory painted spacers black & end bolt heads black.



A-17754-MB	FRONT BUMPER ARM BOLT & NUT SET	28-29	3.50
A-17770-MB	REAR BUMPER ARM BOLT SET TO FRAME	28-31	6.75
A-17798 #87B	SHORT BRACE with spacer type end BOLT SET for rear crossbar	30-31	9.95
		28-31	5.00

REAR CROSSBAR & SPARE WHEEL GUARD

A-17783-A	REAR BUMPER CROSSBAR, tubular ...	28-29	39.95
A-17783-B	REAR BUMPER CROSSBAR, stamping	30-31	21.95

SHOCK ABSORBERS

A-18015	SHOCK ABSORBER, fits RF or LR	28-31	145.00
A-18016	SHOCK ABSORBER, fits LF or RR	28-31	145.00
A-18015-PK	SHOCK ABSORBER PACKAGE	28-31	625.00

M & S Hydraulics set 4 shocks, 4 arms, 4 tubular links, seals, cups, all bolts.

A-18015-MB	BOLT SET, mounts 4 shocks to frame	28-31	10.00
A-18037-S	NEEDLE VALVE SET, 4 valves	28-31	49.95
A-18047	SHOCK ARM FRONT, each	28-31	24.95
A-18052	SHOCK ARM REAR, each	28-31	24.95
A-18047/52	BOLT SET, mounts arms on 4 shocks	28-31	4.60
A-18063	TUBULAR SHOCK LINK, each, incl seal/cap	28-31	18.00
A-18058	TUBULAR SHOCK LINK RUBBER		

A-18059	SEAL SET, 8 pce	28-31	4.75
	TUBULAR SHOCK LINK METAL CAP, each	28-31	0.85
A-18060	TUBULAR SHOCK LINK BALL SEAT, each \$8.00 FOR SET OF 8	28-31	1.00
A-18062	TUBULAR SHOCK LINK SPRING	28-31	1.00
A-18055	DOGBONE LINK with bushings	28-31	6.00
B-18060-S	DOGBONE LINK rubber ball bushing set (8)	28-31	6.00
A-18096	SHOCK SHAFT SEAL & O RING SET, 4 shocks	28-31	20.50
A-18081	SHOCK FLUID, 1 pint (for new shocks or rebuilt shocks)	28-31	6.00
A-18064	METAL SPACER for tubular links	28-34	2.00

PATENT DATA PLATES

A-13802-SP	SPARTON HORN DATA PLATE, order rivets below	28-31	1.00
A-18650	FIREWALL DATA PLATE, order rivets below	28-31	1.50
A-18651	BRIGGS BODY I.D. PLATE, order rivets below	28-31	2.00
A-18652	MURRAY BODY I.D. PLATE, order rivets below	28-31	1.50
A-18650-RV	RIVET SET, an assortment for various data plates	28-31	1.50

FLOORBOARDS AND MATS

A-35130/1-A	FRONT FLOORBOARD SET, 1928-29 w/brake front	28-29	56.75
A-35130/1-B	FRONT FLOORBOARD SET,		

A-35140/1-B	1929-31 w/brake right (Show Quality) ... 29-31	56.75
	REAR FLOORBOARD SET, tudor sedan 28-31	40.00
A-35131	FLOORBOARD IRONS w/ rivits 28-31	49.95
A-35170-AS	ANTI-SQUEAK set, front, w/tacks 28-31	6.95
A-35170-BS	ANTI-SQUEAK SET, rear, w/tacks (tudor) 28-31	6.95
A-35123	STEERING COLUMN FLOOR PLATE, 2 pieces 28-31	6.00
A-35123-FP	FELT PAD for above 28-31	2.25
A-35245-A	GEARSHIFT FLOOR PLATE, e/brake front of shift 28-29	4.00
A-35245-B	GEARSHIFT FLOOR PLATE, e/brake right of shift 29-31	3.75
A-35245-C	CLIP SET for either of above 28-31	1.95
A-35150-A	BATTERY COVER PLATE, 4 1/8 wide 1928	10.00
A-35150-B	BATTERY COVER PLATE, 5 1/4 wide 29-31	10.95
A-35123-MB	STEERING COLUMN FLOOR PLATE MOUNTING SCREWS 28-31	0.95
#33	FLOORBOARD SCREW & WASHER SET 28-31	2.75

FLOOR MATS

FM-1	FRONT FLOOR MAT, e/brake front of gearshift 28-29	48.50
FM-2	FRONT FLOOR MAT, e/brake right of gearshift 29-31	62.95
FM-3	REAR FLOOR MAT, tudor 28-31	49.95
FM-4	RUMBLE SEAT MAT, for all except cabriolet 28-31	50.00
FM-5	REAR FLOOR MAT, phaeton 28-31	68.50

WINDSHIELD/OPEN CAR

A-37193-C	GLASS SETTING TAPE, 1/16 20 feet 28-31	8.00
A-37138-A	WINDSHIELD STANCHIONS, to be painted, pair, 28-29	175.00
A-37138-B	WINDSHIELD STANCHIONS, s/steel, Deluxe, plian or stainless steel 30-31	225.00
A-37138-STD	WINDSHIELD STANCHIONS, plain std roadster, phaeton, roadster p/u 30-31	245.00
A-37138-SS	WINDSHIELD STANCHIONS, stainless std roadster, phaeton, roadster p/u 30-31	200.00
A-37110-A	WINDSHIELD FRAME, plain, to be painted 28-29	240.00
A-37110-B	WINDSHIELD FRAME, plain, to be painted, Standard (15-1/4 high) 30-31	240.00
A-37110-C	WINDSHIELD FRAME, chrome plated, DeLuxe (13-1/4 high) 30-31	425.00
A-37110-D	WINDSHIELD FRAME, chrome 28-29	425.00
A-37118	FINGER PULL, chrome, pair 28-31	9.25
A-37130	STANCHION SPACERS (LEAD) between dash rail and lower stanchion 30-31	8.95
A-37135-A	STANCHION SCREWS (lower) 5/16-18 oval 28-29	3.00
A-37135-B	STANCHION SCREWS 5/16-24 oval 1930	3.00
A-37135-C	STANCHION SCREWS 5/16-24 hexhead 1931	5.50
A-37154	FRAME CONE, chrome, each 28-31	5.95
A-37158	STUD, w/cone nut, each 28-31	2.50
A-37160	WINDSHIELD SIDE CURTAIN STUDS 28-31	6.95
A-351000	WING NUT, chrome, each 28-31	3.75
A-37199-A	WINDSHIELD FRAME RUBBER GASKET, open car 28-29	4.00
A-37199-B	WINDSHIELD FRAME RUBBER GASKET,	

T-37472	open car 30-31	4.00
	THUMB SCREW, top bow to windshield post, plain 23-29	3.95
A-37472-F	THUMB SCREW, top bow to windshield post, chrome 23-29	7.00
A-37472-C	THUMB SCREW, top bow to windshield post, chrome 30-31	7.00

WINDSHIELD/CLOSED CAR

A-37193-C	GLASS SETTING TAPE, 1/16 20 feet 28-31	8.00
A-45410-AR	WINDSHIELD FRAME, aluminum repro, closed car 28-29	235.00
A-45410-A	WINDSHIELD FRAME, aluminum repro, closed car 30-31	250.00
A-45410-E	WINDSHIELD FRAME, aluminum repro, slant windshield 30-31	235.00
A-45410-USA	WINDSHIELD FRAME,aluminum repro usa made steel 30-31	475.00
A-45411-AR	WINDSHIELD HINGE STEEL 28-29	81.00
A-45411-A	WINDSHIELD HINGE STEEL 30-31	68.00
A-45463	SWING ARMS, chrome, pair 28-31	10.00
A-45475	SWING ARM PIVOT BOLT SET 28-31	6.00
A-45477-S	SWING ARM WASHERS, pair 28-31	3.25
A-45482	SWING ARM SLIDE NUTS, pair 28-31	4.25
A-79500	RUBBER GASKET FOR WINDSHIELD FRAME, closed car 26-31	4.50
A-79501	RUBBER GASKET FOR REPLACEMENT WINDSHIELD FRAME 28-31	3.75
A-79550	RUBBER GASKET WINDSHIELD HINGE TO HEADER 28-31	2.75

WINDOW CHANNEL KITS

Front doors- Each kit is complete for both front doors and includes all proper clips, moulded channels, upper window sponge seals, "T" shaped antenna rubber (when required) lower glass cushion bumpers and adhesive. USA made.

A-45983-A	28-31 TUDOR, 28-29 COUPE & SPORT COUPE, 30-31 PICKUP 28-31	55.00
A-45983-B	30-31 COUPE & SPORT COUPE 30-31	55.00
A-45983-4D	28-31 FORDOR SEDAN 28-31	55.00
A-45983-6	ECONOMY WINDOW CHANNEL does one door 28-31	20.00
A-45983-SWV	31 SLANT WINDSHIELD VICKY & FORDOR 31-31	50.00
A-45983-PU	28-29 PICKUP 28-29	50.00

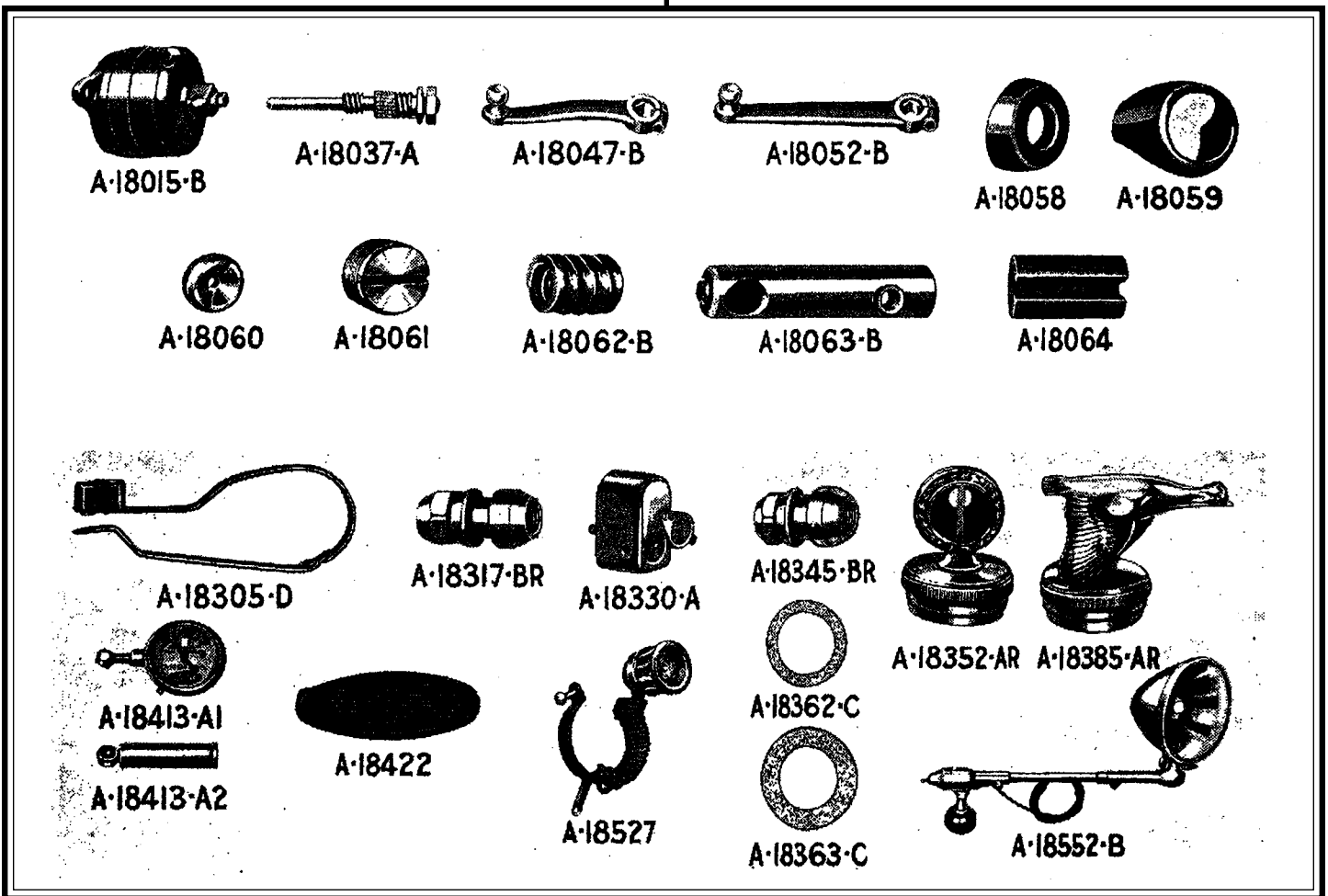
Rear door window channel kits- One kit does both. Rear doors include all items in front kit.

A-56791-A	28-31 STRAIGHT WINDSHIELD, FORDOR 28-31	69.95
A-56791-B	31 SLANT WINDSHIELD, FORDOR 1/4 window. 31-31	70.00
A-56786	28-31 TUDOR SEDAN, rear 1/4 window 28-31	50.00
A-46108	COUPE rear roll down window 30-34	20.00

WINDOWS SIDE & REAR

CRANKS

A-702780-A	WINDOW CRANK, chrome, plain design for standard cpe/tudor/pickup 28-31	12.00
A-702780-B	WINDOW CRANK, chrome, scroll design for DeLuxe models,	



A-702780-C	Cabiolets 28-31	12.00
	WINDOW CRANK, chrome, for Vict; A-400 & slant windshield sedans 30-31	12.00
A-46250	PIN for window or door handle 28-31	0.30

GLASS BOTTOM METAL CHANNEL

A-45962	Coupe/tudor/pickup (either side) 28-31	10.00
A-45963-A	Fordor, right 28-31	9.95
A-45963-B	Fordor, left 28-31	9.95
A-56787	Tudor rear quarter (either side) 28-31	8.95
B-45968	DOOR WINDOW GLASS SETTING, moulded rubber with lip, 6' ft length 28-31	6.00
A-37193-C	GLASS SETTING TAPE, 1/16 20 feet 28-31	8.00

SIDE CHANNELS & REGULATOR GEARS

A-45984	CLIP TYPE BRACKET for felt channel, each 28-31	0.50
A-48105-A	REGULATOR GEAR & ARM, pass & p/u mounts with 3 screws, fits RIGHT side ... 28-31	39.95
A-48105-B	REGULATOR GEAR & ARM, 4 screw, RIGHT, fordoor 28-31	39.95
A-48106-A	REGULATOR GEAR & ARM, 3 screw, LEFT, pass. & p/u 28-31	39.95
A-48106-B	REGULATOR GEAR & ARM, 4 screw, LEFT, fordoor 28-31	39.95
A-48105-RK	REPAIR KIT, 6 tooth gear and shaft 28-31	12.00
A-48106-RK	REPAIR KIT, 5 tooth gear and shaft 28-31	17.00
A-48105/6	REGULATOR GEAR SPRING 28-31	5.00
A-48105-MB	WIND REGULATOR BOLTS 28-31	1.50

BEZELS & ESCUTCHEONS

A-48140	BEZEL, half moon upholstery trim 28-31	2.00
A-48141	RUBBER BUMPER, window roll down stop 28-31	0.75
A-48284	SPIRAL SPRING, under upholstery at window crank 28-31	0.60
A-46270	ESCUTCHEON, oval, door handle DeLuxe Models 28-31	5.00
A-46270-AR	ESCUTCHEON, round, door handle standard 28-31	9.50
B-46270-AS	DELUXE PHAETON 30-31	15.00
A-46272	ESCUTCHEON, inside door slide lock ... 28-31	3.50
A-48139-A	ESCUTCHEON, round, standard models 28-31	2.95
A-48139-B	ESCUTCHEON, oval, DeLuxe models ... 28-31	3.75
A-48139-C	ESCUTCHEON, round, Vict; A-400; late Fordors 30-31	3.75
B-48139-A	ESCUTCHEON, round, spring loaded universal type 28-31	4.00

WINDOW GARNISH MOLDINGS, pair

A-342-A	MOLDING for coupe & tudor 28-29	94.50
A-342-B	MOLDING for coupe 30-31	94.50
A-342-S	MOLDING SCREWS, each 28-31	.12
A-442-B	MOLDING for tudor & pickup 30-31	94.50
A-442-ABR	MOLDING for tudor rear quarter 30-31	94.50

WINDOW GASKET REAR WINDOW OR COUPE QUARTER WINDOW

A-19003R	GASKET, rear window, RUBBER 28-31	3.95
A-19003S	GASKET, quarter window 28-31	2.25

DOOR AREA OPEN CARS

A-35600-DMB	HINGE SCREW & WASHER SET for door	28-31	2.95
A-35600-PMB	HINGE TO POST BOLT SET	28-29	2.45
A-35615	HINGE PIN, each	28-31	0.50
A-35710	KNOB, chrome, for 1928 latches above ...	1928	3.50
B-35705	STRIKER for door latch, w/screws	28-31	6.00
A-35705-MB	STRIKEPLATE SCREWS, open	28-31	1.50
A-76819	DOVETAIL, male	28-31	3.50
B-702828-S	DOOR CHECK STRAPS w/all hardware	28-31	6.25
#48	SCREW SET only, for above straps	28-31	1.75
A-702356-AS	RUBBER PAD FOR HANDLE, pair	29-31	2.00
A-702400-C	INSIDE HANDLE, open car	29-31	12.00
A-180620	CURTAIN ROD SOCKETS, each	30-31	6.00

DOOR AREA CLOSED CARS

DOOR TOP COVER PLATES

A-45883-A	COVER PLATE for 28-31 tudor; 28-29 coupe; 30-31 pickup,sold each	28-31	35.00
A-45883-B	COVER PLATE for 30-31 coupe	30-31	35.00
A-45883-MB	COVER PLATE SCREW SET, 6 piece ...	28-31	1.25

DOOR HEADER METAL STRIPS ON CAR BODY ABOVE DOOR

A-45890-A	HEADER STRIPS for 28-31 tudor; 28-29 coupe; 30-31 pickup, pair	28-31	40.00
A-45890-B	HEADER STRIPS, 30-31 coupe, pair	30-31	40.00
A-45890-MB	HEADER SCREWS	28-31	1.50

DOOR HARDWARE

A-42150	FOOTMANS LOOP chrome door strap bracket used with rubber straps, loop end	28-29	2.00
A-46125-S	DOOR SPRING SET, cpe/tudor/pickup ..	28-31	5.00
A-46126	UPHOLSTERY PANEL CLIPS, pkg of 10	28-31	3.00
A-46137	STRIKER plate, cpe/tudor/pickup	28-31	3.50
A-48590	DOOR HINGE SCREW SET w/washer (need 3 per door)	28-31	2.00
A-48591	CUP WASHERS, set of 3	28-31	0.50
A-61412-A	FEMALE DOVETAIL, 4 hole, fordor	28-31	10.95
A-76819	MALE DOVETAIL, 2 hole, most body styles	28-31	3.50
A-76819-MB	DOVETALE SCREWS, 4 screws per package	28-31	0.75
A-80330-AR	MALE DOVETAIL, 4 hole, closed pickup	28-29	2.75
A-80331	STRIKER, closed cab pickup (2 pc. set) ..	28-29	10.50
A-80333	FEMALE DOVETAIL, closed cab pickup	28-29	11.95
A-109-B	HINGE SCREW, door hinge to body (THREE)	28-31	1.50

Note . . . Door bumper kits contain rubber parts to restore most female dovetails.

A-46168	DOOR LOCK, sliding, for drivers door ...	28-31	4.00
A-46192	CHROME KNOB for above (not incl A-46168)	28-31	3.00

DOOR LATCH

A-46105-AR	DOOR LATCH cpe/tudor/pickup, Right	28-29	22.50
A-46106-AL	DOOR LATCH as above, Left	28-29	24.95
A-46105-BR	DOOR LATCH as above, Right	30-31	28.95
A-46106-BL	DOOR LATCH as above, Left	30-31	28.95

A-48520	DOOR LATCH ASSEMBLY SCREWS, set of 8 for both latches on each door	28-31	1.50
---------	---	-------	------

OUTSIDE DOOR HANDLES

A-702350-AL	LOCKING HANDLE, coupe and tudor ...	28-29	34.00
A-702350-BL	LOCKING HANDLE, coupe, tudor, closed cab pick-up	30-31	34.00
A-702350-C	OUTER HANDLE, scroll, Fordor/cabr. RF/LR	28-29	31.00
A-702350-D	OUTER HANDLE, scroll, Fordor/cabr. RF/LR	30-31	31.00
A-702350-DL	LOCKING HANDLE, scroll	30-31	41.95
A-702350-P	OUTER HANDLE, closed cab pickup	28-29	30.00
A-702350-0	OUTER HANDLE, open car	28-31	30.00
A-702351-A	NON-LOCK HANDLE, coupe, tudor	28-29	30.00
A-702351-B	NON-LOCK HANDLE, coupe, tudor, closed cab pick-up	30-31	30.00
A-702351-C	OUTER HANDLE, scroll, Fordor/cabr LF/RR	28-29	30.00
A-702351-D	OUTER HANDLE, scroll, Fordor/cabr LF/RR	30-31	30.00
A-702356-A	RUBBER PADS, closed car, pair	30-31	2.00
A-702356-C	RUBBER PADS, fordor, pair	28-29	2.00
A-702356-AS	HANDLE PADS, open car	28-31	2.00
51A-7121984	DOOR LOCK & 2 KEYS for separate door lock	30-31	12.00

INSIDE DOOR HANDLES

A-702400-A	INSIDE DOOR HANDLE, closed car, coupe & tudor, std.	28-31	9.75
A-702400-B	INSIDE DOOR HANDLE, scroll, DeLuxe, Fordor	28-31	9.75
A-702400-C	INSIDE HANDLE, roadster / phaeton	28-34	9.75
A-702400-SN	SLEEVE NUT to install A-702400 series	28-31	1.50
A-702780-BRC	REAR & QUARTER WINDOW ROLL DOWN HANDLE	30-31	8.50
A-702401-A	DOOR LATCH REMOTE ROD SET, coupes / tudor, 28-29, tudor, 30-31, p/u ...	30-31	29.95
A-702401-B	DOOR LATCH REMOTE ROD SET, coupe	30-31	29.95

DOOR MISC.

DOOR HINGE PINS

A-46335	HINGE PIN for closed car except below	28-31	0.50
B-46335-SS	HINGE PIN for closed car and PU, stainless steel	28-31	2.75
A-46335-B	HINGE PIN for 1931 slant windshield cars	1931	2.50
A-17741-HP	HINGE PIN extra long to mount mirror	28-31	3.40

DOOR SILL PLATES

A-46480-AZ	SILL PLATES 8, coupe, pair, Zinc	28-31	19.95
A-46480-AA	SILL PLATES 8, coupe, pair, Aluminum	28-31	19.95
A-46480-BZ	SILL PLATES 19-5/8, tudor, pair, Zinc	28-31	34.95
A-46480-BA	SILL PLATES 19-5/8, tudor, pair, Aluminum	28-31	19.95
A-46480-MB	SCREW SET, 4 pieces, for above	28-31	2.50

Other sill plates available, call

DOOR CHECK STRAPS & MISCELLANEOUS

A-61062-CR	DOOR PULL SHUT HANDLE, cabriolet & fordor	28-31	7.75
A-61148	INSIDE LOCK NUT for sedans (turn type)	28-31	3.25

B-162592-T	DOOR CHECK STRAP, rubber, T shaped end	30-31	7.00
B-162592-6	DOOR CHECK STRAP, loop ends, rubber, 6	28-31	6.00
B-162592-7	DOOR CHECK STRAP, loop ends, rubber, 7	28-31	6.00
B-162592-8	DOOR CHECK STRAP, loop ends, rubber, 8	28-31	3.50
B-702828-S	DOOR CHECK KIT, metal arm that slides into door post, includes rubber bumpers, PAIR	29-31	6.25
A-702828-B	RUBBER BUMPERS ONLY, pair, used with above	29-31	3.00
#89	SCREW SET, 4 pieces, for outer door handles	28-31	1.00

DOOR WEATHERSTRIP

A-19008-A	DOOR GARNISH METAL WEATHERSTRIP CHANNELS w/rubber seal. 28-29 cpe, 28-31 tudor ...	28-31	6.95
A-19008-B	DOOR GARNISH SET as above, coupe, pair	30-31	8.95
A-19000-C	DOOR GARNISH SET as above, tudor quarter	28-31	6.95
A-19009	DOOR BOTTOM RUBBER WEATHERSTRIP, 8 feet for closed cars	28-31	5.75
A-19010	DOOR BOTTOM WEATHERSTRIP as above, open	28-31	4.95

DOOR BUMPER KITS

All kits contain necessary rubber bumpers for door, and where applicable also contain rubber & metal parts to restore the door dovetails.

RK-A	Kit, cpe/tudor/sport cpe/del delivery; taxi	28-29	15.00
RK-B	Kit, cpe/tudor/sport cpe/del delivery; pickup	30-31	15.00
RK-C	Kit, Briggs & Murray fordor sedans	28-31	12.95
RK-E	Kit, roadster/roadster pickup	28-29	8.50
RK-F	Kit, roadster/roadster pickup/deluxe phaeton	30-31	8.00
RK-H	Kit, Cabriolet except slant windshield	30-31	8.50
RK-K	Kit, phaeton	28-29	12.95
RK-L	Kit, phaeton, standard	30-31	12.95
RK-N	Kit, closed cab pickup & 26-27 Model T	28-29	8.50
RK-M	Kit, DeL phaeton w/indented firewall	late 31	10.95
RK-R	Kit, fordor w/slant windshield	1931	25.00
RK-T	Kit, cabriolet w/slant windshield	1931	12.95
RK-V	Kit, Victoria, A-400; slant windshield tudor	1931	15.95

TOP

M-255	TOP DRESSING	28-31	13.95
A-37708	TOP PROP NUT, open car, plain finish to paint	28-31	5.00
B-37708	TOP PROP NUT, open car, stainless steel	28-31	5.00
A-37708-C	TOP PROP NUT, s/steel in large size for cabriolet	28-31	5.00
A-42032	TOP PROP BOLT	28-31	0.75
TOP-1	T BOLTS, pair, holds wood to DeL top irons	30-31	5.95
TOP-3	TOP BOW SADDLES, phaeton, pair	28-29	22.95
TOP-4	TOP SADDLE LEATHER PADS & straps, phaeton, pair	28-29	10.95
TOP-6	TOP BOW TO W/S POST CLAMPS	28-29	19.95
A-42339	WINDOW SUPPORT RUBBER BUMPERS, set of 4	28-31	3.00

CLOSED CAR TOP AREA

A-47300	HIDE'M WELT, order by the foot in 5 foot increments, per foot	28-31	0.60
A-47301	RAIN GUTTERS, aluminum repro for sedan, not contoured, pair	28-31	25.00
A-47301-1	METAL MOLDING FRONT OF TOP, 5/8 wide	28-31	10.50
A-47301-2	METAL MOLDING FRONT OF TOP, 1/2' wide	28-31	10.50
A-47301-T	TOP MOLDING NAILS, pkg. 100, for molding and rain gutters	28-31	1.75
A-47301-3	COUPES TO 5/31, SEDANS 155A-D, 165A-D, 170A-B	30-31	17.50
A-47319	TOP MATERIAL, black, long grain pattern, 65 wide, sold per running ft.	28-31	4.95
A-47360	METAL VISOR for coupe or sedan	28-29	30.95
A-38450	METAL MOLDING ACROSS BACK, domed steel, pickup	30-31	21.95
A-47301-A	RAIN GUTTER, p/u, pair	28-31	12.00

GREASE FITTINGS

A-353000	GREASE FITTING SET, 38 piece, modern ball check	28-31	16.95
A-353026	ZERK STRAIGHT DRIVE FITTING, each, as original, Stainless Steel	28-31	0.50
A-353026-A	ZERK STRAIGHT DRIVE FITTING, each, as original, Aluminum	28-31	0.45
A-353027	ZERK THREADED FITTING, 3/8, each, as original	28-31	0.70
A-353029	ZERK 25 DEGREE FRONT END FITTING, each, as original	28-31	0.90
A-353031	ZERK SHOCK LINK FITTING, 67 1/2 degree, each, original	28-31	1.25
A-358010	WATER PUMP REAR FITTING, brass, w/cap, as original	28-31	2.50
GGC	COUPLER, adapts modern grease gun to Zerk fittings	28-31	4.50

RUMBLE SEAT

RUMBLE SEAT HARDWARE

A-41484	RUBBER BUMPERS & STOPS, 2 of each, for lid	28-31	5.00
A-41518	RUBBER BUMPERS only, 2, for lid when closed	28-31	2.00
A-41485-A	METAL STOP SET, plus kit A-41484, for lid	28-29	15.00
A-41485-B	METAL STOP SET, plus kit A-41484, for lid	30-31	15.00
A-41500	GRAB HANDLES for roadster, hardware included, pr.	28-31	35.00
A-41543	HINGE KIT for rumble lid, hardware included	28-31	25.00
A-41543-MB	HINGE PIVOT BOLT SET	28-31	5.95
A-41530	SUPPORT ARM for lift up deck lid	28-31	16.95
A-41563	RUMBLE STEP, round	29-31	6.50
A-41564	RUMBLE STEP, square	1928	9.95
A-41563-P	PAD for round rumble step to fender	29-31	2.00
A-41564-P	PAD for square rumble step to fender	1928	2.00
A-41572	BRACKET on bumper arm for lower rumble step	29-31	8.50
A-702352	LOCKING HANDLE, 30-31 design, but fits all	28-31	35.00
A-702356-E	PAD for rumble or trunk handle	28-31	0.75
A-41604-W	WASHER, special locking design, use with acorn nut	28-31	0.75
A-41606	ACORN NUT to install locking handle ...	28-31	1.50
A-41600	STRIKER PLATE, on car body, latch finger slips into	28-31	2.95

A-52501	LATCH ASSEMBLY, rumble or lift up deck	28-29	10.95
A-52502	LATCH ASSEMBLY, rumble or lift up deck	30-31	10.95
A-41506	ALIGNMENT SHIMS, pair, to align lid	28-31	4.00

FENDERS

A-16000-S	PATCH SET for front fender bolt holes, 4 pieces	30-31	6.00
#96	REAR FENDER STUD SET, 4 pieces	28-31	2.00

FENDER BRACES

A-16025-A	FRONT FENDER BRACE, stamped steel, all body styles	28-29	27.50
A-16025-B	FRONT FENDER BRACE, stamped steel, all body styles	30-31	35.00
A-16180-A	REAR FENDER BRACE, all coupe styles, rdstr/pickup	28-29	15.00
A-16180-B	REAR FENDER BRACE, cpe/cabr/rdstr/pickup	30-31	15.00
A-16430-A	REAR FENDER BRACE, sedan & touring	28-29	15.00
A-16430-B	REAR FENDER BRACE, sedan & touring	30-31	15.00
A-16431	REAR FENDER BRACE, late 1931 wide bed pickup	1931	15.00
A-16432	REAR FENDER BRACE, DeLuxe (2 door) phaeton	1931	15.00

FENDER WELLS

A-1410-301	FRONT FENDER WELL.	30-31	39.50
A-16028	FRONT FENDER WELL, metal	28-29	29.95
A-16031	FRONT FENDER WELL, metal	30-31	29.95

FENDER WELT & GAS TANK WELT

B-16070	FENDER WELT, 20 foot roll, enamel drill original style	12.00
A-9000	GAS TANK WELT, 10 foot roll, thin welt as original	3.75

**ORDER LINE:
800-417-3347**

**INFORMATION LINE:
864-845-7878**

**FAX LINE (24 hours):
864-845-7848**

**E-Mail:
earlyfordsouth@msn.com**

**Web Site:
www.earlyford.com**

**CALL BEFORE 4:00 PM
FOR SAME DAY SHIPPING**

*We buy and sell passenger cars & pickups.
See our "Classic Car Sales" link at
www.earlyford.com*

PICKUP TRUCK

Most pickup parts interchange with passenger parts, and can be found throughout the catalog. Parts unique to pickups are there are listed here.

CLOSED CAB PICKUP

A-817-A	VISOR frame, pickup and station wagon .	28-29	55.00
A-821-A	FRONT SEAT FRAME, closed cab	28-29	50.00
A-821-B	FRONT SEAT FRAME, closed cab	30-31	59.95
A-831-B	CLOSED CAB REAR CROSS SILL	30-31	62.00
A-835-A	PANEL UNDER FRONT SEAT	28-29	37.00
A-835-B	PANEL UNDER FRONT SEAT	30-31	37.00
A-308-C	DOOR PATCH PANELS, pair	30-31	36.00
A-436-B1	DOOR BOTTOM INNER PATCH PANELS, pair	30-31	32.00
A-850-B	CAB REAR PATCH, 4 feet long with bead	30-31	36.00
A-870-B	CAB LOWER REAR CORNER PATCH, pair	30-31	29.95
A-47301-P1	RAIN GUTTERS, stamped steel, w/hdwe, pair	28-29	39.95
A-47301-P2	RAIN GUTTERS, stamped steel, w/hdwe, pair	30-31	34.95
A-47301-A	RAIN GUTTERS, aluminum, pair	28-31	12.95
A-37639	REAR WINDOW FRAME	28-29	37.00
A-80304	CLOSED CAB MAIL POUCH	28-29	26.95
A-432AF	SUBRAILS (minor alterations required) pair	28-29	225.00
A-432BF	SUBRAILS (require shortening to length) pair	30-31	225.00
A-877ACU	UPPER CAB PANEL, special order item	28-29	240.00
A-870ACC	CAB CORNERS, special order item	28-29	265.00

PICKUP BED

A-871	FRONT PANEL w/mounting tabs	28-31	80.00
A-871-SL	FRONT BED PANEL, wide bed	31-31	165.00
A-873	METAL STRIPS, set, with holes punched	28-31	36.00
A-872	CENTER PAN for bed, metal	28-31	17.00
A-952-AB	TAIL GATE w/mounting brackets	28-31	179.95
A-65003	PICKUP BED SIDEBOARDS	28-31	95.00
A-65004	PICKUP BED FLOOR WOOD KIT, with grooves on both sides of the wood and center pan cutout	28-31	120.00
A-65005	WOOD BLOCKS to mount bed to frame, oak, pair	28-31	38.00
A-65007	HOOK for tailgate chain, each	28-31	5.95
A-65008	CHAIN, tailgate (hook and top link not included) .	28-31	3.95
A-65009	CHAIN COVERS, leatherette, pair	28-31	6.95
A-65009-W	CHAIN COVERS, leatherette, pair, station wagon	28-31	7.95
A-65010	TOP LINK for chain	28-31	2.95
A-65000-MB	100 PIECE BOLT/NUT/WASHER SET .	28-31	12.95
A-65000-W	WASHER SET, 10 original type square shape	28-31	2.00
A-65026	RIVET SET, PICKUP BED	28-31	11.95
A-952-ABL	TAILGATE, wide bed	31-31	280.00
A-961-AB	TAIL GATE HINGE SET	28-31	21.95
A-963-AB	TAIL GATE BOLT & NUT SET	28-31	7.50
A-964-AB	TAIL GATE CHAIN BRACKETS	28-31	7.95
A-BEDPU	PICKUP BED, including crating, fully assembled ready for paint and installation on your frame	28-31	1,775.00
A-BEDPUU	SAME BED AS ABOVE, unassembled	28-31	1,175.00

WIDE BEDS ARE AVAILABLE, PLEASE CALL.

**ORDER LINE:
800-417-3347**

**INFORMATION LINE:
864-845-7878**

**FAX LINE (24 hours):
864-845-7848**

**E-Mail:
earlyfordsouth@msn.com**

**Web Site:
www.earlyford.com**

**CALL BEFORE 4:00 PM
FOR SAME DAY SHIPPING**

*We buy and sell passenger cars & pickups.
See our "Classic Car Sales" link at
www.earlyford.com*

Model A Books

BA-1	MODEL A RESTORATION MANUAL. Contains a lot of specifications and measurements. Reprint with Ford's permission.	5.00
BA-2	MODEL "A" CHASSIS PARTS BOOK. Reprint of the original parts book.	10.00
BA -3	INSTRUCTION BOOK. Reprint of the original 1928-31 owner's manual.	6.00
BA-3A	OWNERS MANUAL. For late 31 cars and trucks	6.50
BA-5	MODEL "A" BODY PARTS LIST. Reprint of the original. Not well illustrated and recommended for the serious researcher	15.00
BA-8	MODEL "A" AND "AA" ENGINE & CHASSIS MANUAL Reprinted from Dyke's Manual. It is compact easy to use and contains a lot Information. Carry one in your car.	9.75
BA-11	MODEL A FORD MECHANICS HANDBOOK. Les Andrews - The best maintenance book presently available. Very well written chapters on each component of the Model A. With great illustrations to help you repair or restore your car. Over 400 pages and over 500 illustrations	32.95
BC-2	HENRY'S FABULOUS MODEL "A". Leslie R. Henry - A Floyd Clymer book compiled 25 years ago as a history of the Model "A" with production facts. It remains an interesting book	14.00
BC-9	FORD MODEL "A" ALBUM. Leslie R Henry and Floyd Clymer. Details, illustrations and comments regarding nearly every style of the Model A. A lot of nice clear photos.	15.00
BE-1	HENRY'S LADY. Ray Miller - Hardcover book, coffee table size, 304 pages, 1029 photos, many in color. All body styles are shown, many trucks. Valuable reference book, and an ideal gift book	46.95
BM-1	RESTORER'S MODEL 'A' SHOP MANUAL. Jim Schild - Over 200 pages covering mechanical data from full restoration to winter storage. This book is a MUST	30.00
BM-1A	AA TRUCK Supplement to Restore's Model "A" Shop Manual, Jim Schiid	13.50
BM-1B	UPDATE Supplement to Restorer's Model "A" Shop Manual, Jim Schild. The author Covers new developments in the world of Model A's such as overdrives and new Water pump developments.	7.95
BM-2	THE FORD MODEL "A" AS HENRY BUILT IT. DeAngelis Francis & Henry Hardcover book that is the 'bible' on paint, upholstery, trim & production facts. Well illustrated. A book every "A" owner should have	35.95
BM-3	RESTORING THE OPEN "A"s, Mack Hils. This book is produced by Mack Products who make restoration parts for pickup trucks. This contains a copy of Mack's 1998 catalog as well as 72 pages of information about roadsters and phaetons. The close up photos of open car details are well worth the price.	10.95
BM-4	RESTORING THE MODEL "A" PICKUP Mack Hils Same story as BM-3 but for the pickups. Same catalog included and again the pictures are very helpful.	10.95
BM-5	SELLING THE NEW FORD 1927-1931 Jim Schild A great chronicle of Ford's advertising and the thinking behind it. Unfortunately some of the ads as copied are very hard to read.	14.95
BP-1	MODEL "A" FORD SERVICE BULLETINS. Hardcover book compiling the monthly factory to dealer bulletins 1928-31. Well illustrated and a really valuable tool. Reprinted with Ford permission.	21.00

Model A Books

BP-2	THE GEM FROM THE RIVER ROUGE. Murray Fahnestock - Non technical descriptions of the reasons the Model A is built the way it is. A fun read	17.00
BP-6	FORD MODEL "A" CONSTRUCTION, OPERATION & REPAIR. Victor W. Page Hardcover book written in the thirties when folks did their own repair & maintenance. Great details on repair work. Well illustrated	28.00
BP-13	UNAUTHORIZED ACCESSORIES FOR THE MODEL "A". Murray Fahnestock A collection of period advertisements for all sorts of accessories.	16.00
BP-16	MODEL "A" AND "AA" FORD TRUCK. A. G. McMillan Hardcover book with hundreds of era truck ads, plus truck technical information	15.00
BP-20	AUTOMOTIVE HARDWARE AND TRIMMING SUPPLIES by Ford Motor Company Sketches and part numbers of all kinds of hardware including door and window handles	12.00
BP-21	KRW SERVICE STATION EQUIPMENT FOR FORD DEALERS K.R. WILSON A reprint Of Wilson's tool catalog. Great fun and very informative. If you like to make tools this is a must have book.	25.95
BS-1	RESTORATION & MAINTENANCE VOL. 1 By Paul Moiler	8.00
BS-2	RESTORATION & MAINTENANCE VOL. 2 By Paul Moiler, Two excellent reference works by one of the truly great Model "A" experts.	8.00
BZ-I	CARBURETOR REPAIR MANUAL. Paul Moller - How to restore or repair your Zenith or Tillotson carburetor. The drawings and photos alone are worth the price.	7.00
BRMB	REPAINT MANUAL. By PPG. Contains actual color chips for 1928 through 1936 Fords. Also has the original formulas and painting tips.	15.00
BMAF	PAINT & REFINISH MANUAL. A paint and refinish manual with color chips published by the Model A Ford Club of America as a club project. Brand new publication	21.00
BMAFC	HOW TO RESTORE YOUR MODEL "A". The Model A Ford Club of America has compiled the best of the "how to do it" articles from their club publication into book form. These are very valuable reference materials and highly recommended for your library. BOOKS 1 - 6	EACH 13.50
 Save \$11.00 buy all 6 for \$ 70.00	
BMRCT	MODEL A RESTORERS CLUB TOURING CLASS JUDGING STANDARDS explains the touring class goals and even has copies of scoring sheets. If you drive your car and plan to show it in the touring class, don't leave home until you use this guide to prejudge it.	5.00
POST-1	MODEL "A" LUBRICATION CHART a superb two color drawing of two views of the Model "A" chassis with all the lubrication points indicated with the type of lubricant and the frequency of service.	4.00
POST-2	MODEL "A" FORDS a great poster with 40 period photos of various types of Model A's. Includes 15 commercial vehicles. Also has a portrait of Henry Ford.	5.75
POST-3	FABULOUS FORDS poster of 69 Fords from Henry's 1896 Quadricycle to a 1940 Convertible Club Coupe. Twenty Eight Model A's, a bunch of T's, all good photos on a real nice poster.	5.75

EARLY FORD VS SALES, INC.

101 Hollow Drive

Piedmont, South Carolina 29673

ADDRESS SERVICE REQUESTED



PRESORTED STANDARD
U.S. POSTAGE
PAID

Free Shipping for Orders Over \$400.00

Excludes Oversized Items & Fenders